



Photo Courtesy of Victoria Shipyard

Jastram Model H Helm Pumps

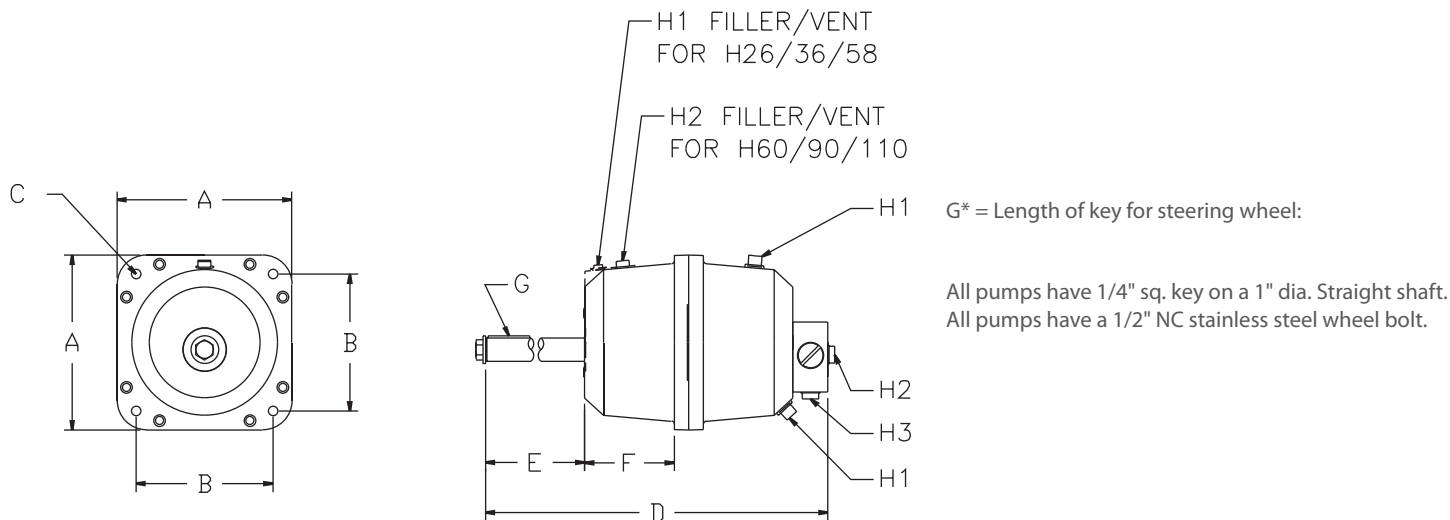
This high quality, precision axial piston pump features proven designs and marine grade materials.

The H pumps are designed to operate in 'non-pressurized' hydraulic systems requiring only two lines from the helm pump to the cylinder. The Model H helm pumps include the following standard features:

- An external lockvalve to isolate with helm and prevent rudder feedback
- A pressure rating for the lockvalve of 1,875 PSI
- A powder coated, high strength cast aluminum housing which provides corrosion and abrasion resistance
- A flexible mounting pattern allowing any angle between the vertical and horizontal axis
- An internal capacity to act as a small vented oil reservoir

Recommended Wheel Sizes for the Model H helm pumps

MODEL	STEERING WHEEL SIZE	
	min diameter	max diameter
H26, H36	20"	30"
H58	30"	36"
H60, H90, H110	36"	60"



HELM PUMP OVERALL DIMENSIONS (INCHES)

Helm Pump Model	Helm Pump Displacement (IN ³)	A	B	C Dia.	D	E	F	G	H1	H2	H3
H26 / H36 / H58	2.6 / 3.6 / 5.8	5 5/8"	4 3/8"	9/32"	9 17/64"	2 5/32"	2 27/64"	1/4" sq Key x 1 1/2" LG	1/4" NPT	-08 SAE	-
H60 / 90 / 110	6.0 / 9.0 / 11.0	7 1/2"	5 7/8"	13/32"	15 27/64"	4 1/4"	3 27/32"	1/4" sq Key x 1 25/32" LG	1/2" NPT	-	-08 SAE

Helm Pump Model	Part Number	Cubic Inch Displacement Per Revolution	Weight (LBS)	Weight (LBS)
H26	JA-301001-4	2.6	11.9	11.9
H36	JA-301001-5	3.6	11.9	11.9
H58*	JA-301007-2	5.8	12.8	12.8
H60	JA-301002-4	6.0	41.9	41.9
H90	JA-301002-5	9.0	41.9	41.9
H110	JA-301002-6	11.0	41.9	41.9

*The H58, which requires a header tank or auto-fill system

Recommended line sizes and lengths are based on the combined distance of both lines

Helm Pump Model	Distance between Helm & Cylinder			Minimum Wall Thickness	
	50 Ft	65Ft	95Ft	Tube Diameter	Wall
H26 / H36	1/2"	5/8"	5/8"	1/2"	0.035"
H58	5/8"	5/8"	3/4"	5/8"	0.049"
H60 / H90	5/8"	5/8"	3/4"	3/4"	0.049"
H110	3/4"	3/4"	1"	1"	0.65"

Standard ISO Grade 32 Hydraulic oil must be used within a Jastram hydraulic steering system.

WARNING: DO NOT USE TRANSMISSION OIL OR BRAKE FLUID

Jastram Helm pumps are serviceable, seal kit part numbers are:

- JA-950000-1; covers Model H helms H26, H36 and H58
- JA-950001-1; covers Model H helms H60, H90 and H110

Last update: 17/January/2014 - Data is subject to change without notice.