

Products and
Services

PRODUCTS FOR EFFICIENT AUTOMATION



B *innovating automation*

Sensors 2

Ultrasonic Sensors, Magnetically Coded Sensors, Magnetostrictive Sensors,
Inclination Sensors, Pressure Sensors, Temperature Sensors, Flow Sensors,
Condition Monitoring Sensors

Innovative solutions

TO MEET YOUR AUTOMATION NEEDS

**Steel and
Metallurgical
Industry**

Life Science

**Semiconductor
Industry**

Metal Working



Plastics, Rubber
and Tires

Mobility

Packaging,
Foods and Beverages

Energy Generation



INNOVATIVE SOLUTIONS FOR ANY REQUIREMENT

To give you an overview of our range of offerings we have condensed our product portfolio into five volumes. This overview provides a list of topics contained in each volume.

1



Sensors 1

- Inductive Sensors
- Capacitive Sensors
- Photoelectric Sensors
- Magnetic Sensors
- Mechanical Cam Switches

2



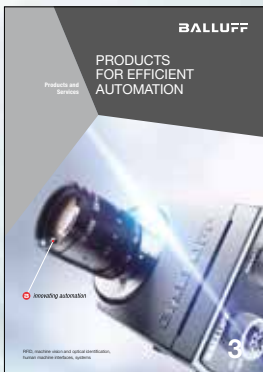
Sensors 2

- Ultrasonic Sensors
- Magnetically Coded Sensors
- Magnetostrictive Sensors
- Inclination Sensors
- Pressure Sensors
- Temperature Sensors
- Flow Sensors
- Condition Monitoring Sensors

3

4

5



- RFID
- Machine Vision and Optical Identification
- Human Machine Interfaces



- Safety
- Industrial Networking
- Software and System Solutions
- Power Supplies



- Connectivity
- Accessories

Do you need more details? Our Product Finder at www.balluff.com provides you with product-specific information, including technical drawings, data sheets, user guides and more for each individual product. All items are available for download.



CONTENTS

8

SENSORS



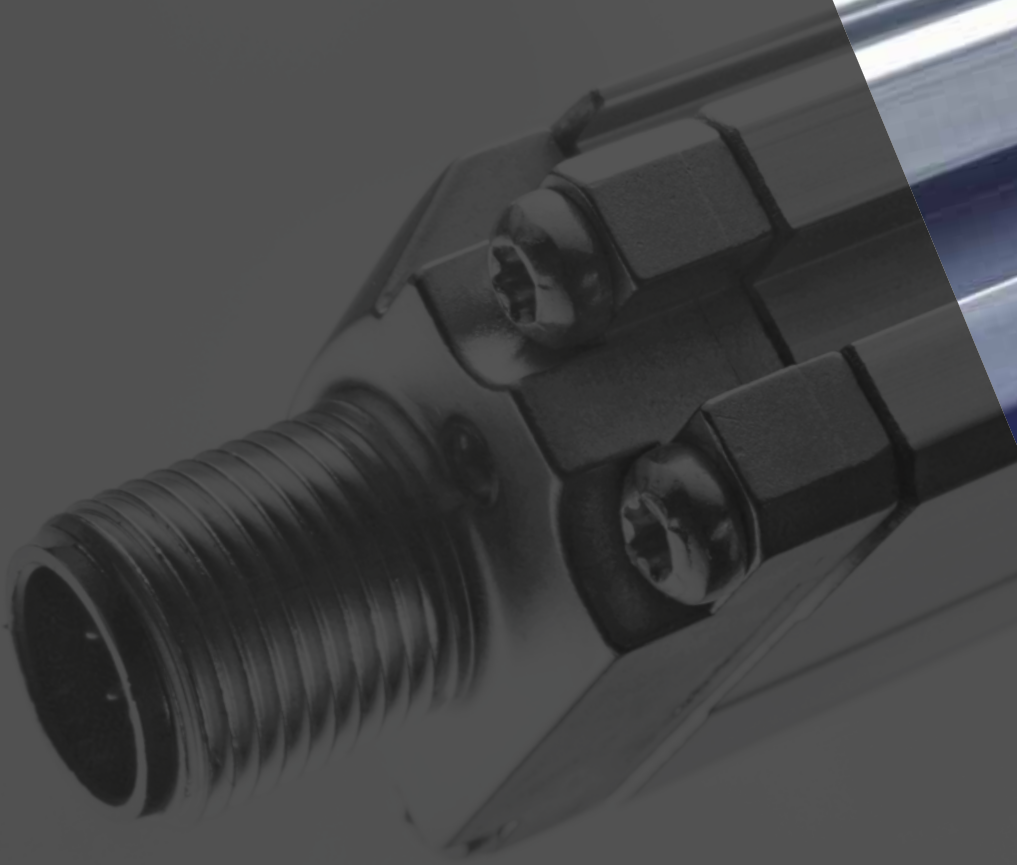
Sensors 2

- 12 Ultrasonic Sensors
- 46 Magnetic Encoders
- 66 Magnetostrictive Sensors
- 318 Inclination Sensors
- 334 Pressure Sensors
- 390 Temperature Sensors
- 404 Flow Sensors
- 412 Condition Monitoring Sensors

ALPHANUMERIC INDEX 432

GLOBAL PROJECT MANAGEMENT 440

ABOUT BALLUFF 442



Comprehensive solutions for industrial automation

SENSORS





Sensors
RFID
Machine Vision and Optical Identification
Human Machine Interfaces
Safety
Industrial Networking
Software and System Solutions
Power Supply
Connectivity
Accessories

In the field of sensor technology, Balluff handles the entire range of technological diversity with its various operating principles. We provide you with high-quality sensors for any application or requirement: from distance measurement to object detection and level, temperature and pressure monitoring. For everyday industrial uses as well for tough applications in critical environments.

Our quality management regime is DIN EN ISO 9001:2015 certified. All Balluff sensors are tested in our in-house, accredited laboratory. Balluff sensors meet regional as well as international standards and are used throughout the world.

Your Balluff solutions

- Inductive Sensors
- Photoelectric Sensors
- Capacitive Sensors
- Magnetic Sensors
- Ultrasonic Sensors
- Mechanical Cam Switches
- Magnetostrictive Sensors
- Magnetically Coded Sensors
- Inclination Sensors
- Pressure Sensors
- Temperature Sensors
- Flow Sensors
- Condition Monitoring Sensors

SENSORS 2



12

ULTRASONIC SENSORS

- 14 Ultrasonic sensors with a digital output
- 28 Ultrasonic sensors with analog output
- 42 Pressure-rated ultrasonic sensors



46

MAGNETIC ENCODERS

- 48 Absolute linear magnetic encoder system
- 54 Incremental linear magnetic encoder system
- 62 Magnetic tape



66

MAGNETOSTRICTIVE SENSORS

- 68 Magnetostrictive linear position sensors in the profile housing
- 102 Magnetostrictive linear position sensors for industrial hydraulics
- 148 Magnetostrictive linear position sensors for extreme environments
- 155 Magnetostrictive linear position sensors for level measurement in hygienic areas
- 214 Magnetostrictive linear position sensors for mobile hydraulics
- 220 Redundant magnetostrictive linear position sensors
- 251 Magnetostrictive linear position sensors for explosion hazard areas



318

INCLINATION SENSORS

- 320 Inclination sensors with one measuring axis
- 328 Inclination sensors with two measuring axis



334

PRESSURE SENSORS

- 336 Pressure sensors without display
- 370 Pressure sensors with display
- 378 Front flush pressure sensors



390

TEMPERATURE SENSORS

- 392 Media-contacting temperature sensors



404

FLOW SENSORS

- 406 Thermal flow controller



412

CONDITION MONITORING SENSORS

- 414 Condition Monitoring Sensors



416

BASICS AND GLOSSARY



Precise, flexible all-rounders

ULTRASONIC SENSORS

Whether for position detection, distance detection or detection of powdery and fluid media – our ultrasonic sensors are precise all-rounders. They measure fill levels, heights and sag without making contact as well as count and monitor the presence of objects. These universal sensors work regardless of color or surface composition and are unaffected by transparent objects with strong reflection. Fog, dust and impurities are also not a problem for them. Their high resolution and small blind zones guarantee the highest precision. Since they offer a generous detection range, they also work reliably at greater object distances.

Ultrasonic sensors from Balluff are available as switching or analog output types. Depending on the output signal you can either reliably detect and count objects or determine distances with high precision. These sensors therefore have versatile uses.

The most important benefits

- Contactless detection
- Reliable in critical environmental conditions such as fog, dust and impurities
- Irrespective of color, transparency, reflection properties and surface finish on the object
- Precise detection of even smaller objects
- Rectangular and cylindrical heads allow for greater freedom of design
- Can be used as normally open or normally closed – various output functions



PNP normally open/normally closed	BUS0065 BUS M12M1-PPX-02/015-S04G	BUS0066 BUS M12M1-PPX-05/024-S04G		
NPN normally open/normally closed	BUS0063 BUS M12M1-NPX-02/015-S04G	BUS0064 BUS M12M1-NPX-05/024-S04G		
PNP/NPN normally open/normally closed push-pull			BUS0020 BUS M18M1-GPXI-02/015-S92G	
Style	block style	Ø 12 mm	Ø 18 mm	
Interface	IO-Link 1.0	–	IO-Link 1.1	
Connection	Connector, M12x1 connector, 5-pin	Connector, M12x1 connector, 4-pin	Connector, M12x1 connector, 5-pin	
Housing material	PBT	Nickel-plated brass PBT	Brass PBT	
Material sensing surface	PU foam epoxy resin glass	PU foam epoxy resin glass	PU foam epoxy resin glass	
Range	600...8000 mm	40...350 mm	25...250 mm	
Switching frequency	3 Hz	20 Hz	25 Hz	
Approval/Conformity	cULus LISTED, CE, EAC	cULus LISTED, CE, EAC	cULus LISTED, CE, EAC	
Ambient temperature	-25...70 °C	-25...70 °C	-25...70 °C	
Protection degree	IP67	IP67	IP67	
Repeat accuracy	± 0.15 %FS	± 0.15 %FS	± 0.15 %FS	
Operating voltage U _b	9...30 VDC	10...30 VDC	10...30 VDC	
Productview	Page 24	Page 24	Page 24	



PNP normally open/normally closed				
2 × PNP normally open/normally closed			BUS002P BUS M30E1-PWX-03/025-S92K	
PNP/NPN normally open/normally closed push-pull	BUS004P BUS M18M1-GPXI-12/100-S92G	BUS004N BUS W18M1-GPXI-12/100-S92G		
Style	Ø 18 mm	Ø 18 mm	Ø 30 mm	
Interface	IO-Link 1.1	IO-Link 1.1	—	
Connection	Connector, M12x1 connector, 5-pin	Connector, M12x1 connector, 5-pin	Connector, M12x1 connector, 5-pin	
Housing material	Brass PBT	Brass PBT	Stainless steel PBT, TPU	
Material sensing surface	PU foam epoxy resin glass	PU foam epoxy resin glass	PU foam epoxy resin glass	
Range	120...1300 mm	120...1300 mm	30...350 mm	
Switching frequency	10 Hz	10 Hz	25 Hz	
Approval/Conformity	cULus LISTED, CE, EAC	cULus LISTED, CE, EAC	cULus LISTED, CE, EAC	
Ambient temperature	-25...70 °C	-25...70 °C	-25...70 °C	
Protection degree	IP67	IP67	IP67	
Repeat accuracy	± 0.15 %FS	± 0.15 %FS	± 0.15 %FS	
Operating voltage U _b	10...30 VDC	10...30 VDC	9...30 VDC	
Productview	Page 25	Page 25	Page 25	



	BUS002T BUS M30E1-PPX-03/025-S92K	BUS0022 BUS M30M1-PPX-03/025-S92K		BUS005J BUS M30E1-PWX-07/035-S92K	BUS005H BUS M30M1-PWX-07/035-S92K
BUS002R BUS M30M1-PWX-03/025-S92K					
Ø 30 mm	Ø 30 mm	Ø 30 mm	Ø 30 mm	Ø 30 mm	Ø 30 mm
—	—	—	—	—	—
Connector, M12x1 connector, 5-pin	Connector, M12x1 connector, 5-pin	Connector, M12x1 connector, 5-pin	Connector, M12x1 connector, 5-pin	Connector, M12x1 connector, 5-pin	Connector, M12x1 connector, 5-pin
Brass PBT, TPU	Stainless steel PBT, TPU	Brass PBT, TPU	Stainless steel PBT, TPU	Stainless steel PBT, TPU	Brass PBT, TPU
PU foam epoxy resin glass	PU foam epoxy resin glass	PU foam epoxy resin glass	PU foam epoxy resin glass	PU foam epoxy resin glass	PU foam epoxy resin glass
30...350 mm	30...350 mm	30...350 mm	65...600 mm	65...600 mm	65...600 mm
25 Hz	25 Hz	25 Hz	12 Hz	12 Hz	12 Hz
cULus LISTED, CE, EAC	cULus LISTED, CE, EAC	cULus LISTED, CE, EAC	cULus LISTED, CE, EAC	cULus LISTED, CE, EAC	cULus LISTED, CE, EAC
-25...70 °C	-25...70 °C	-25...70 °C	-25...70 °C	-25...70 °C	-25...70 °C
IP67	IP67	IP67	IP67	IP67	IP67
± 0.15 %FS	± 0.15 %FS	± 0.15 %FS	± 0.15 %FS	± 0.15 %FS	± 0.15 %FS
9...30 VDC	9...30 VDC	9...30 VDC	9...30 VDC	9...30 VDC	9...30 VDC
Page 25	Page 25	Page 25	Page 25	Page 25	Page 25



PNP normally open/normally closed	BUS005T BUS M30E1-PPX-07/035-S92K	BUS005F BUS M30M1-PPX-07/035-S92K		
2 × PNP normally open/normally closed			BUS003H BUS M30E1-PWX-20/130-S92K	
Style	Ø 30 mm	Ø 30 mm	Ø 30 mm	
Interface	—	—	—	
Connection	Connector, M12x1 connector, 5-pin	Connector, M12x1 connector, 5-pin	Connector, M12x1 connector, 5-pin	
Housing material	Stainless steel PBT, TPU	Brass PBT, TPU	Stainless steel PBT, TPU	
Material sensing surface	PU foam epoxy resin glass	PU foam epoxy resin glass	PU foam epoxy resin glass	
Range	65...600 mm	65...600 mm	200...2000 mm	
Switching frequency	12 Hz	12 Hz	8 Hz	
Approval/Conformity	cULus LISTED, CE, EAC	cULus LISTED, CE, EAC	cULus LISTED, CE, EAC	
Ambient temperature	-25...70 °C	-25...70 °C	-25...70 °C	
Protection degree	IP67	IP67	IP67	
Repeat accuracy	± 0.15 %FS	± 0.15 %FS	± 0.15 %FS	
Operating voltage U _b	9...30 VDC	9...30 VDC	9...30 VDC	
Productview	Page 25	Page 25	Page 25	



	BUS003C BUS M30M1-PWX-20/130-S92K	BUS003A BUS M30E1-PPX-20/130-S92K	BUS0039 BUS M30M1-PPX-20/130-S92K	BUS003U BUS M30E1-PWX-35/340-S92K	BUS003W BUS M30M1-PWX-35/340-S92K
	Ø 30 mm	Ø 30 mm	Ø 30 mm	Ø 47.5 mm	Ø 47.5 mm
	—	—	—	—	—
	Connector, M12x1 connector, 5-pin	Connector, M12x1 connector, 5-pin	Connector, M12x1 connector, 5-pin	Connector, M12x1 connector, 5-pin	Connector, M12x1 connector, 5-pin
	Brass PBT, TPU	Stainless steel PBT, TPU	Brass PBT, TPU	Stainless steel PBT, TPU	Brass PBT, TPU
	PU foam epoxy resin glass	PU foam epoxy resin glass	PU foam epoxy resin glass	PU foam epoxy resin glass	PU foam epoxy resin glass
	200...2000 mm	200...2000 mm	200...2000 mm	350...5000 mm	350...5000 mm
	8 Hz	8 Hz	8 Hz	4 Hz	4 Hz
	cULus LISTED, CE, EAC	cULus LISTED, CE, EAC	cULus LISTED, CE, EAC	cULus LISTED, CE, EAC	cULus LISTED, CE, EAC
	-25...70 °C	-25...70 °C	-25...70 °C	-25...70 °C	-25...70 °C
	IP67	IP67	IP67	IP67	IP67
	± 0.15 %FS	± 0.15 %FS	± 0.15 %FS	± 0.15 %FS	± 0.15 %FS
	9...30 VDC	9...30 VDC	9...30 VDC	9...30 VDC	9...30 VDC
	Page 25	Page 25	Page 25	Page 25	Page 25



PNP normally open/normally closed	BUS003R BUS M30E1-PPX-35/340-S92K	BUS003P BUS M30M1-PPX-35/340-S92K		
2 × PNP normally open/normally closed			BUS0040 BUS M30E1-PWX-60/600-S92K	
Style	Ø 47.5 mm	Ø 47.5 mm	Ø 65 mm	
Interface	—	—	—	
Connection	Connector, M12x1 connector, 5-pin	Connector, M12x1 connector, 5-pin	Connector, M12x1 connector, 5-pin	
Housing material	Stainless steel PBT, TPU	Brass PBT, TPU	Stainless steel PBT, TPU	
Material sensing surface	PU foam epoxy resin glass	PU foam epoxy resin glass	PU foam epoxy resin glass	
Range	350...5000 mm	350...5000 mm	600...8000 mm	
Switching frequency	4 Hz	4 Hz	3 Hz	
Approval/Conformity	cULus LISTED, CE, EAC	cULus LISTED, CE, EAC	cULus LISTED, CE, EAC	
Ambient temperature	-25...70 °C	-25...70 °C	-25...70 °C	
Protection degree	IP67	IP67	IP67	
Repeat accuracy	± 0.15 %FS	± 0.15 %FS	± 0.15 %FS	
Operating voltage U _b	9...30 VDC	9...30 VDC	9...30 VDC	
Productview	Page 25	Page 25	Page 25	



	BUS003Z BUS M30M1-PWX-60/600-S92K	BUS0047 BUS M30E1-PPX-60/600-S92K	BUS0045 BUS M30M1-PPX-60/600-S92K	BUS0021 BUS R06K1-PPX-02/007-S75G	BUS004C BUS R06K1-PPX-02/015-S75G
	Ø 65 mm	Ø 65 mm	Ø 65 mm	block style	block style
	—	—	—	—	—
	Connector, M12x1 connector, 5-pin	Connector, M12x1 connector, 5-pin	Connector, M12x1 connector, 5-pin	Connector, M8x1 connector, 4-pin	Connector, M8x1 connector, 4-pin
	Brass PBT, TPU	Stainless steel PBT, TPU	Brass PBT, TPU	ABS	ABS
	PU foam epoxy resin glass	PU foam epoxy resin glass	PU foam epoxy resin glass	PU foam epoxy resin glass	PU foam epoxy resin glass
	600...8000 mm	600...8000 mm	600...8000 mm	20...100 mm	20...250 mm
	3 Hz	3 Hz	3 Hz	250 Hz	25 Hz
	cULus LISTED, CE, EAC	cULus LISTED, CE, EAC	cULus LISTED, CE, EAC	CE, EAC	CE, EAC
	-25...70 °C	-25...70 °C	-25...70 °C	-25...70 °C	-25...70 °C
	IP67	IP67	IP67	IP67	IP67
	± 0.15 %FS	± 0.15 %FS	± 0.15 %FS	± 0.15 %FS	± 0.15 %FS
	9...30 VDC	9...30 VDC	9...30 VDC	20...30 VDC	20...30 VDC
	Page 25	Page 25	Page 25	Page 25	Page 25



PNP normally open/normally closed	BUS0049 BUS R06K1-PPX-02/015-S75G-F01	BUS004L BUS R06K1-PPX-05/024-S75G	BUS0057 BUS R06K1-PPX-03/025-S75G	
2 × PNP normally open/normally closed				
PNP/NPN normally open/normally closed push-pull				
Style	block style	block style	block style	
Interface	—	—	—	
Connection	Connector, M8x1 connector, 4-pin	Connector, M8x1 connector, 4-pin	Connector, M8x1 connector, 4-pin	
Housing material	ABS	ABS	ABS	
Material sensing surface	PU foam epoxy resin glass	PU foam epoxy resin glass	PU foam epoxy resin glass	
Range	20...250 mm	50...350 mm	30...350 mm	
Switching frequency	100 Hz	25 Hz	25 Hz	
Approval/Conformity	CE, EAC	CE, EAC	CE, EAC	
Ambient temperature	-25...70 °C	-25...70 °C	-25...70 °C	
Protection degree	IP67	IP67	IP67	
Repeat accuracy	± 0.15 %FS	± 0.15 %FS	± 0.15 %FS	
Operating voltage U _b	20...30 VDC	20...30 VDC	20...30 VDC	
Productview	Page 25	Page 26	Page 26	



BUS0059 BUS R06K1-PPX-12/070-S75G					
	BUS006F BUS Q62K1-PWX-35/340-S92K			BUS006H BUS Q62K1-PWX-60/600-S92K	
		BUS006C BUS Q62K1-GPXI-35/340-S92K			BUS006E BUS Q62K1-GPXI-60/600-S92K
block style	block style	block style	block style	block style	block style
—	—	IO-Link 1.0	—	IO-Link 1.0	—
Connector, M8x1 connector, 4-pin	Connector, M12x1 connector, 5-pin	Connector, M12x1 connector, 5-pin	Connector, M12x1 connector, 5-pin	Connector, M12x1 connector, 5-pin	Connector, M12x1 connector, 5-pin
ABS	PBT	PBT	PBT	PBT	PBT
PU foam epoxy resin glass	PU foam epoxy resin glass	PU foam epoxy resin glass	PU foam epoxy resin glass	PU foam epoxy resin glass	PU foam epoxy resin glass
120...1000 mm	350...5000 mm	350...5000 mm	600...8000 mm	600...8000 mm	600...8000 mm
14 Hz	4 Hz	4 Hz	3 Hz	3 Hz	3 Hz
CE, EAC	cULus LISTED, CE, EAC	cULus LISTED, CE, EAC	cULus LISTED, CE, EAC	cULus LISTED, CE, EAC	cULus LISTED, CE, EAC
-25...70 °C	-25...70 °C	-25...70 °C	-25...70 °C	-25...70 °C	-25...70 °C
IP67	IP67	IP67	IP67	IP67	IP67
± 0.15 %FS	± 0.15 %FS	± 0.15 %FS	± 0.15 %FS	± 0.15 %FS	± 0.15 %FS
20...30 VDC	9...30 VDC	9...30 VDC	9...30 VDC	9...30 VDC	9...30 VDC
Page 26	Page 26	Page 26	Page 26	Page 26	Page 26

Sensors

RFID

Machine Vision and Optical Identification

Human Machine Interfaces

Safety

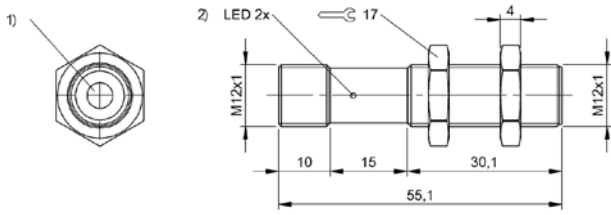
Industrial Networking

Software and System Solutions

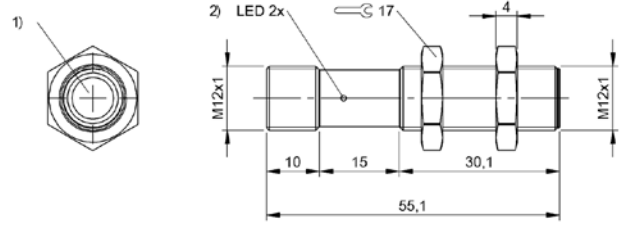
Power Supply

Connectivity

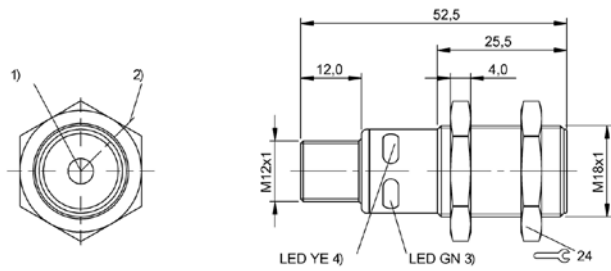
Accessories



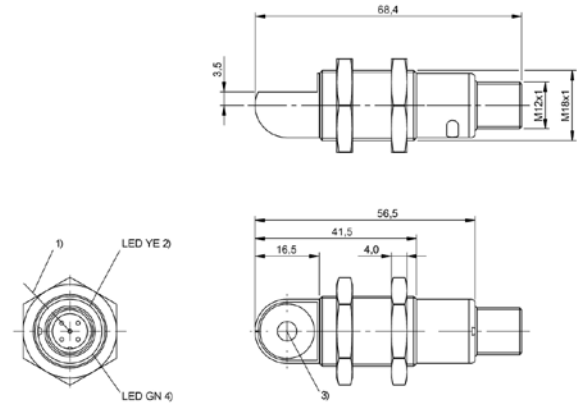
1) Ultrasonic transducer axis, 2) Exit direction 90° connector, 3) Operating voltage, 4) Output function
BUS0063, BUS0065



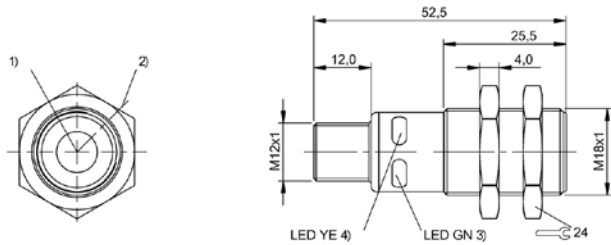
1) Ultrasonic transducer axis, 2) Exit direction 90° connector, 3) Operating voltage, 4) Output function
BUS0064, BUS0066



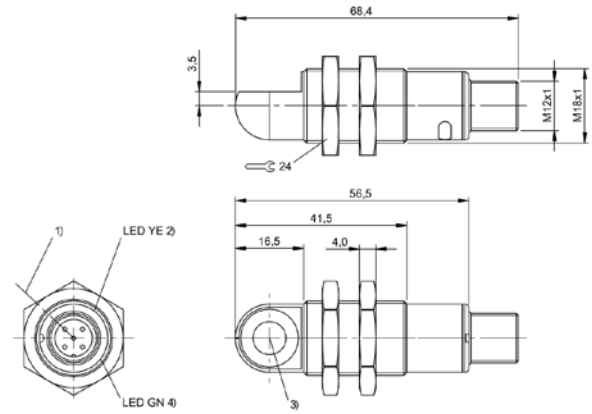
1) Ultrasonic transducer axis, 2) Exit direction 90° connector, 3) Operating voltage, 4) Output function
BUS0020



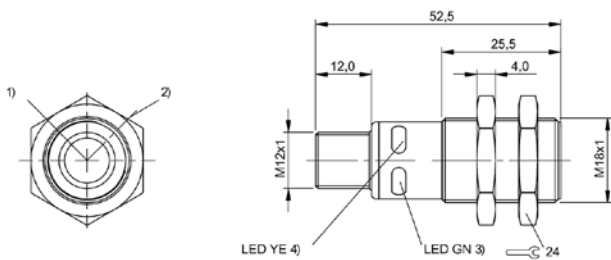
1) Exit direction 90° connector, 2) Output function, 3) Ultrasonic transducer axis, 4) Operating voltage
BUS0023



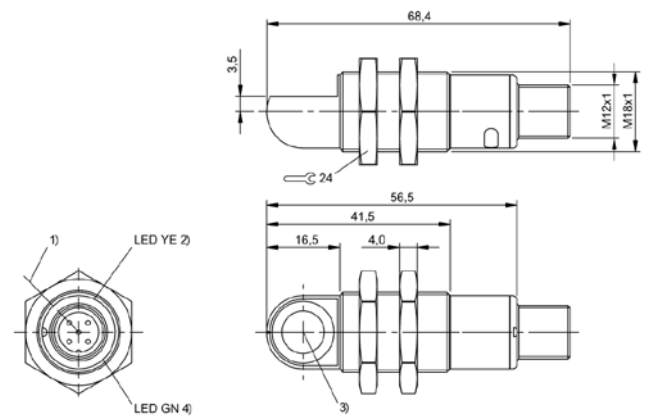
1) Ultrasonic transducer axis, 2) Exit direction 90° connector, 3) Operating voltage, 4) Output function
BUS0029



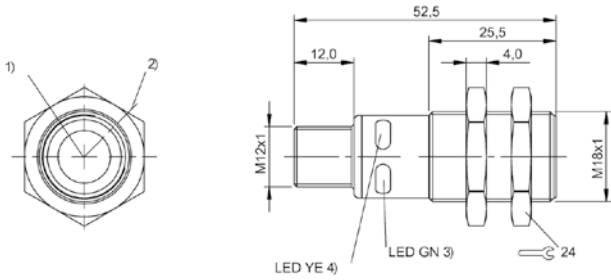
1) Exit direction 90° connector, 2) Output function, 3) Ultrasonic transducer axis, 4) Operating voltage
BUS002A



1) Ultrasonic transducer axis, 2) Exit direction 90° connector, 3) Operating voltage, 4) Output function
BUS004Z

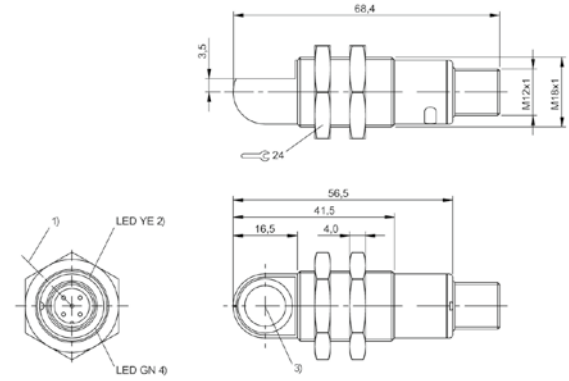


1) Exit direction 90° connector, 2) Output function, 3) Ultrasonic transducer axis, 4) Operating voltage
BUS004Y



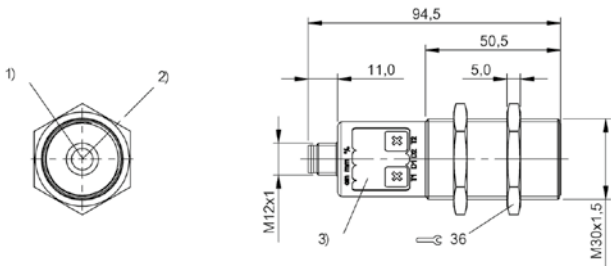
1) Ultrasonic transducer axis, 2) Exit direction 90° connector, 3) LED function indicator, 4) Output function

BUS004P



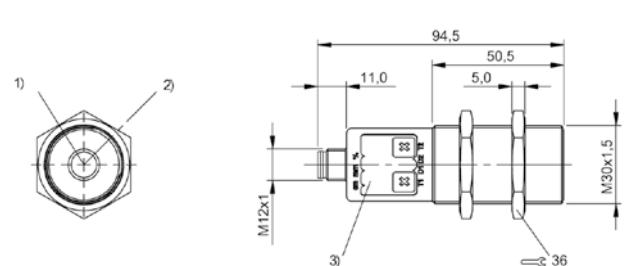
1) Exit direction 90° connector, 2) Output function, 3) Ultrasonic transducer axis, 4) Operating voltage

BUS004N



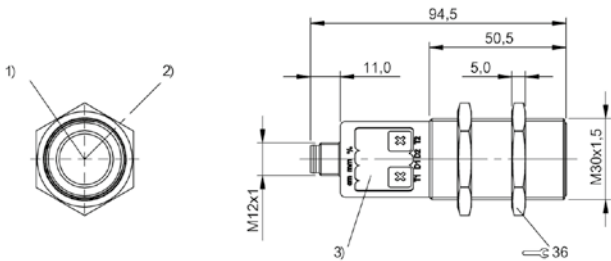
1) Ultrasonic transducer axis, 2) Exit direction 90° connector, 3) Display and control panel

BUS002P, BUS002R, BUS002T, BUS0022



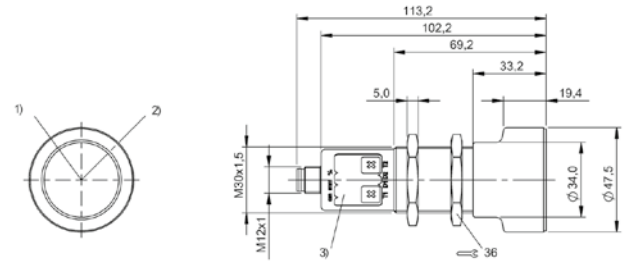
1) Ultrasonic transducer axis, 2) Exit direction 90° connector, 3) Display and control panel

BUS005J, BUS005H, BUS005T, BUS005F



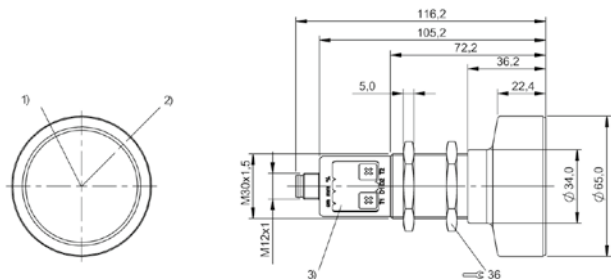
1) Ultrasonic transducer axis, 2) Exit direction 90° connector, 3) Display and control panel

BUS003H, BUS003C, BUS003A, BUS0039



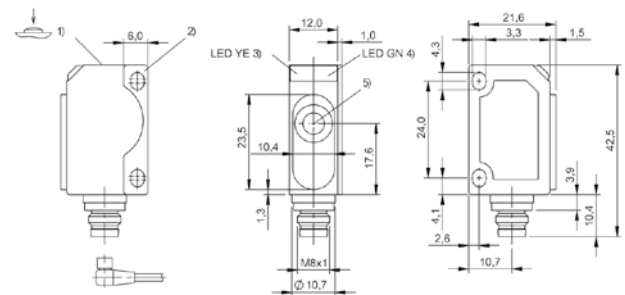
1) Ultrasonic transducer axis, 2) Exit direction 90° connector, 3) Display and control panel

BUS003U, BUS003W, BUS003R, BUS003P



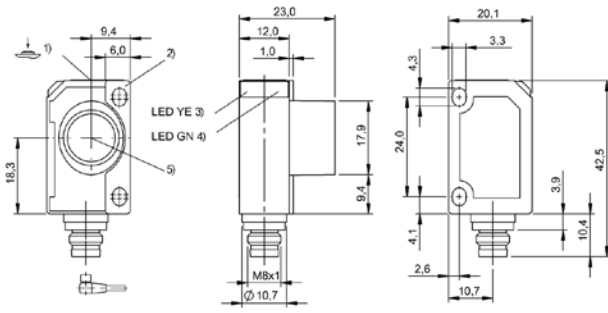
1) Ultrasonic transducer axis, 2) Exit direction 90° connector, 3) Display and control panel

BUS0040, BUS003Z, BUS0047, BUS0045



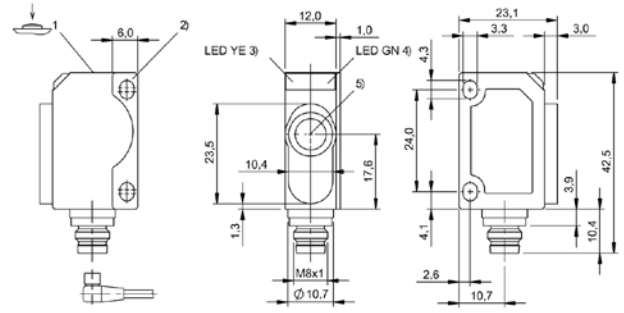
1) Set sensor, 2) Mounting plate, 3) Status indicator, 4) Operating voltage/mode, 5) Ultrasonic transducer axis

BUS0021, BUS004C, BUS0049



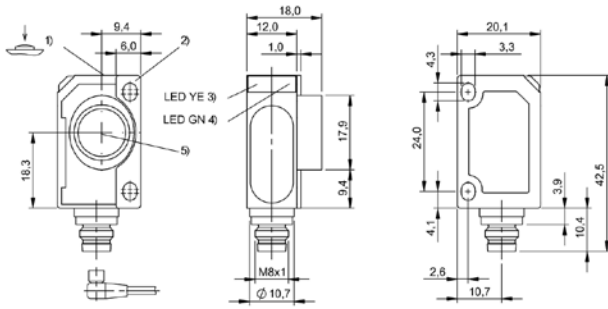
- 1) Set sensor, 2) Mounting plate, 3) Status indicator, 4) Operating voltage/mode, 5) Ultrasonic transducer axis

BUS0057



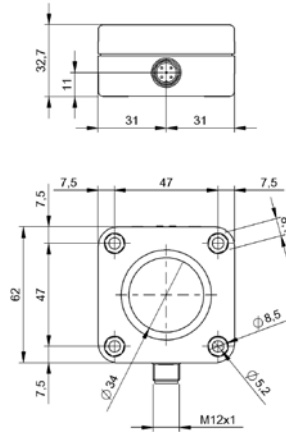
- 1) Set sensor, 2) Mounting plate, 3) Status indicator, 4) Operating voltage/mode, 5) Ultrasonic transducer axis

BUS004L



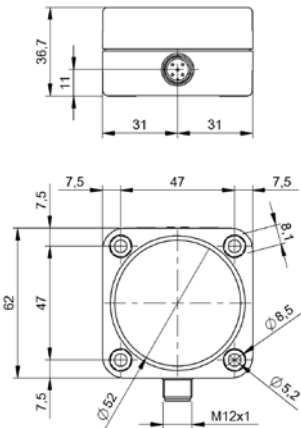
- 1) Set sensor, 2) Mounting plate, 3) Status indicator, 4) Operating voltage/mode, 5) Ultrasonic transducer axis

BUS0059



- 1) Ultrasonic transducer, 2) Display and control panel

BUS006F, BUS006C



- 1) Ultrasonic transducer, 2) Display and control panel

BUS006H, BUS006E



Analog, voltage 0...10 V, linear rising/falling	BUS0067 BUS M12M1-XA-02/015-S04G	BUS0068 BUS M12M1-XA-05/024-S04G	BUS0026 BUS M18M1-XA-02/015-S92G	
Analog, current 4...20 mA, linear rising/falling	BUS0069 BUS M12M1-XB-02/015-S04G	BUS006A BUS M12M1-XB-05/024-S04G	BUS0025 BUS M18M1-XB-02/015-S92G	
Style	Ø 12 mm	Ø 12 mm	Ø 18 mm	
Switching output	—	—	—	
Connection	Connector, M12x1 connector, 4-pin	Connector, M12x1 connector, 4-pin	Connector, M12x1 connector, 5-pin	
Housing material	Nickel-plated brass PBT	Nickel-plated brass PBT	Nickel-plated brass PBT	
Material sensing surface	PU foam epoxy resin glass	PU foam epoxy resin glass	PU foam epoxy resin glass	
Range	20...250 mm	40...350 mm	25...250 mm	
Switching frequency	—	—	—	
Approval/Conformity	cULus LISTED, CE, EAC	cULus LISTED, CE, EAC	cULus LISTED, CE, EAC	
Ambient temperature	-25...70 °C	-25...70 °C	-25...70 °C	
Protection degree	IP67	IP67	IP67	
Repeat accuracy	± 0.15 %FS	± 0.15 %FS	± 0.15 %FS	
Operating voltage U _b	15...30 VDC	15...30 VDC	15...30 VDC	
Productview	Page 38	Page 38	Page 38	



BUS0028 BUS W18M1-XA-02/015-S92G	BUS0024 BUS M18M1-XA-03/025-S92G	BUS0050 BUS W18M1-XA-03/025-S92G	BUS004T BUS M18M1-XA-07/035-S92G	BUS004R BUS W18M1-XA-07/035-S92G
BUS0027 BUS W18M1-XB-02/015-S92G	BUS002C BUS M18M1-XB-03/025-S92G	BUS002E BUS W18M1-XB-03/025-S92G	BUS004W BUS M18M1-XB-07/035-S92G	BUS004U BUS W18M1-XB-07/035-S92G
Ø 18 mm	Ø 18 mm	Ø 18 mm	Ø 18 mm	Ø 18 mm
—	—	—	—	—
Connector, M12x1 connector, 5-pin	Connector, M12x1 connector, 5-pin	Connector, M12x1 connector, 5-pin	Connector, M12x1 connector, 5-pin	Connector, M12x1 connector, 5-pin
Brass PBT	Brass PBT	Brass PBT	Brass PBT	Brass PBT
PU foam epoxy resin glass	PU foam epoxy resin glass	PU foam epoxy resin glass	PU foam epoxy resin glass	PU foam epoxy resin glass
25...250 mm	30...350 mm	30...350 mm	65...600 mm	65...600 mm
—	—	—	—	—
cULus LISTED, CE, EAC	cULus LISTED, CE, EAC	cULus LISTED, CE, EAC	cULus LISTED, CE, EAC	cULus LISTED, CE, EAC
-25...70 °C	-25...70 °C	-25...70 °C	-25...70 °C	-25...70 °C
IP67	IP67	IP67	IP67	IP67
± 0.15 %FS	± 0.15 %FS	± 0.15 %FS	± 0.15 %FS	± 0.15 %FS
15...30 VDC	15...30 VDC	15...30 VDC	15...30 VDC	15...30 VDC
Page 38	Page 38	Page 38	Page 38	Page 38



Analog, voltage 0...10 V, linear rising/falling	BUS0052 BUS M18M1-XA-12/100-S92G	BUS0051 BUS W18M1-XA-12/100-S92G		
Analog, current 4...20 mA, linear rising/falling	BUS004M BUS M18M1-XB-12/100-S92G	BUS0053 BUS W18M1-XB-12/100-S92G		
Analog, voltage/analog, current 0...10 V/4...20 mA, linear rising/falling			BUS002M BUS M30E1-XC-03/025-S92K	
Style	Ø 18 mm	Ø 18 mm	Ø 30 mm	
Switching output	—	—	—	
Connection	Connector, M12x1 connector, 5-pin	Connector, M12x1 connector, 5-pin	Connector, M12x1 connector, 5-pin	
Housing material	Brass PBT	Brass PBT	Stainless steel PBT, TPU	
Material sensing surface	PU foam epoxy resin glass	PU foam epoxy resin glass	PU foam epoxy resin glass	
Range	120...1300 mm	120...1300 mm	30...350 mm	
Switching frequency	—	—	—	
Approval/Conformity	cULus LISTED, CE, EAC	cULus LISTED, CE, EAC	cULus LISTED, CE, EAC	
Ambient temperature	-25...70 °C	-25...70 °C	-25...70 °C	
Protection degree	IP67	IP67	IP67	
Repeat accuracy	± 0.15 %FS	± 0.15 %FS	± 0.15 %FS	
Operating voltage U _b	15...30 VDC	15...30 VDC	9...30 VDC	
Productview	Page 39	Page 39	Page 39	



Analog, voltage/analog, current 0...10 V/4...20 mA, linear rising/falling	BUS005N BUS M30E1-PPC-07/035-S92K	BUS005M BUS M30M1-PPC-07/035-S92K	BUS003E BUS M30E1-XC-20/130-S92K	
Style	Ø 30 mm	Ø 30 mm	Ø 30 mm	
Switching output	PNP normally open/normally closed (NO/NC)	PNP normally open/normally closed (NO/NC)	—	
Connection	Connector, M12x1 connector, 5-pin	Connector, M12x1 connector, 5-pin	Connector, M12x1 connector, 5-pin	
Housing material	Stainless steel PBT, TPU	Brass PBT, TPU	Stainless steel PBT, TPU	
Material sensing surface	PU foam epoxy resin glass	PU foam epoxy resin glass	PU foam epoxy resin glass	
Range	65...600 mm	65...600 mm	200...2000 mm	
Switching frequency	12 Hz	12 Hz	—	
Approval/Conformity	cULus LISTED, CE, EAC	cULus LISTED, CE, EAC	cULus LISTED, CE, EAC	
Ambient temperature	-25...70 °C	-25...70 °C	-25...70 °C	
Protection degree	IP67	IP67	IP67	
Repeat accuracy	± 0.15 %FS	± 0.15 %FS	± 0.15 %FS	
Operating voltage U _b	9...30 VDC	9...30 VDC	9...30 VDC	
Productview	Page 39	Page 39	Page 39	



	BUS003F BUS M30M1-XC-20/130-S92K	BUS0037 BUS M30E1-PPC-20/130-S92K	BUS0038 BUS M30M1-PPC-20/130-S92K	BUS003N BUS M30M1-PWC-20/130-S92K	BUS003M BUS M30E1-XC-35/340-S92K
	Ø 30 mm	Ø 30 mm	Ø 30 mm	Ø 30 mm	Ø 47.5 mm
	—	PNP normally open/normally closed (NO/NC)	PNP normally open/normally closed (NO/NC)	2x PNP normally open/normally closed (NO/NC)	—
	Connector, M12x1 connector, 5-pin	Connector, M12x1 connector, 5-pin	Connector, M12x1 connector, 5-pin	Connector, M12x1 connector, 5-pin	Connector, M12x1 connector, 5-pin
	Brass PBT, TPU	Stainless steel PBT, TPU	Brass PBT, TPU	Brass PBT, TPU	Stainless steel PBT, TPU
	PU foam epoxy resin glass	PU foam epoxy resin glass	PU foam epoxy resin glass	PU foam epoxy resin glass	PU foam epoxy resin glass
	200...2000 mm	200...2000 mm	200...2000 mm	200...2000 mm	350...5000 mm
	—	8 Hz	8 Hz	8 Hz	—
	cULus LISTED, CE, EAC	cULus LISTED, CE, EAC	cULus LISTED, CE, EAC	cULus LISTED, CE, EAC	cULus LISTED, CE, EAC
	-25...70 °C	-25...70 °C	-25...70 °C	-25...70 °C	-25...70 °C
	IP67	IP67	IP67	IP67	IP67
	± 0.15 %FS	± 0.15 %FS	± 0.15 %FS	± 0.15 %FS	± 0.15 %FS
	9...30 VDC	9...30 VDC	9...30 VDC	9...30 VDC	9...30 VDC
	Page 39	Page 39	Page 39	Page 39	Page 39

Sensors

RFID

Machine Vision and
Optical Identification

Human Machine
Interfaces

Safety

Industrial Networking

Software and
System Solutions

Power Supply

Connectivity

Accessories



	BUS003T BUS M30M1-XC-35/340-S92K	BUS003K BUS M30E1-PPC-35/340-S92K	BUS003L BUS M30M1-PPC-35/340-S92K	
Analog, voltage/analog, current 0...10 V/4...20 mA, linear rising/falling				
Style	Ø 47.5 mm	Ø 47.5 mm	Ø 47.5 mm	
Switching output	—	PNP normally open/normally closed (NO/NC)	PNP normally open/normally closed (NO/NC)	
Connection	Connector, M12x1 connector, 5-pin	Connector, M12x1 connector, 5-pin	Connector, M12x1 connector, 5-pin	
Housing material	Brass PBT, TPU	Stainless steel PBT, TPU	Brass PBT, TPU	
Material sensing surface	PU foam epoxy resin glass	PU foam epoxy resin glass	PU foam epoxy resin glass	
Range	350...5000 mm	350...5000 mm	350...5000 mm	
Switching frequency	—	4 Hz	4 Hz	
Approval/Conformity	cULus LISTED, CE, EAC	cULus LISTED, CE, EAC	cULus LISTED, CE, EAC	
Ambient temperature	-25...70 °C	-25...70 °C	-25...70 °C	
Protection degree	IP67	IP67	IP67	
Repeat accuracy	± 0.15 %FS	± 0.15 %FS	± 0.15 %FS	
Operating voltage U _b	9...30 VDC	9...30 VDC	9...30 VDC	
Productview	Page 39	Page 39	Page 39	



BUS0044 BUS M30M1-PWC-35/340-S92K	BUS0042 BUS M30E1-XC-60/600-S92K	BUS0041 BUS M30M1-XC-60/600-S92K	BUS003Y BUS M30E1-PPC-60/600-S92K	BUS0043 BUS M30M1-PPC-60/600-S92K
Ø 47.5 mm	Ø 65 mm	Ø 65 mm	Ø 65 mm	Ø 65 mm
2x PNP normally open/ normally closed (NO/NC)	—	—	PNP normally open/nor- mally closed (NO/NC)	PNP normally open/nor- mally closed (NO/NC)
Connector, M12x1 connector, 5-pin	Connector, M12x1 connector, 5-pin	Connector, M12x1 connector, 5-pin	Connector, M12x1 connector, 5-pin	Connector, M12x1 connector, 5-pin
Brass PBT, TPU	Stainless steel PBT, TPU	Brass PBT, TPU	Stainless steel PBT, TPU	Brass PBT, TPU
PU foam epoxy resin glass	PU foam epoxy resin glass	PU foam epoxy resin glass	PU foam epoxy resin glass	PU foam epoxy resin glass
350...5000 mm	600...8000 mm	600...8000 mm	600...8000 mm	600...8000 mm
4 Hz	—	—	3 Hz	3 Hz
cULus LISTED, CE, EAC	cULus LISTED, CE, EAC	cULus LISTED, CE, EAC	cULus LISTED, CE, EAC	cULus LISTED, CE, EAC
-25...70 °C	-25...70 °C	-25...70 °C	-25...70 °C	-25...70 °C
IP67	IP67	IP67	IP67	IP67
± 0.15 %FS	± 0.15 %FS	± 0.15 %FS	± 0.15 %FS	± 0.15 %FS
9...30 VDC	9...30 VDC	9...30 VDC	9...30 VDC	9...30 VDC
Page 39	Page 39	Page 39	Page 39	Page 39

Sensors

RFID

Machine Vision and
Optical Identification

Human Machine
Interfaces

Safety

Industrial Networking

Software and
System Solutions

Power Supply

Connectivity

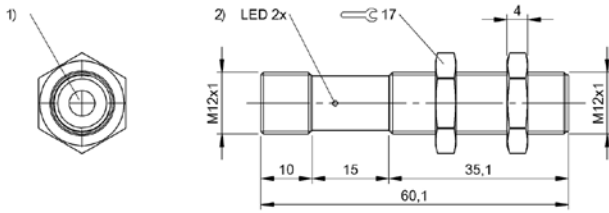
Accessories



Analog, voltage 0...10 V, linear rising/falling	BUS004K BUS R06K1-XA-02/015-S75G	BUS0056 BUS R06K1-XA-05/024-S75G	BUS005E BUS R06K1-XA-12/070-S75G	
Analog, current 4...20 mA, linear rising/falling	BUS004J BUS R06K1-XB-02/015-S75G	BUS004F BUS R06K1-XB-05/024-S75G	BUS005C BUS R06K1-XB-12/070-S75G	
Analog, voltage/analog, current 0...10 V/4...20 mA, linear rising/falling				
Style	block style	block style	block style	
Switching output	—	—	—	
Connection	Connector, M8x1 connector, 4-pin	Connector, M8x1 connector, 4-pin	Connector, M8x1 connector, 4-pin	
Housing material	ABS	ABS	ABS	
Material sensing surface	PU foam epoxy resin glass	PU foam epoxy resin glass	PU foam epoxy resin glass	
Range	20...250 mm	50...350 mm	120...1000 mm	
Switching frequency	—	—	—	
Approval/Conformity	CE, EAC	CE, EAC	CE, EAC	
Ambient temperature	-25...70 °C	-25...70 °C	-25...70 °C	
Protection degree	IP67	IP67	IP67	
Repeat accuracy	± 0.15 %FS	± 0.15 %FS	± 0.15 %FS	
Operating voltage U _b	20...30 VDC	20...30 VDC	20...30 VDC	
Productview	Page 40	Page 40	Page 40	

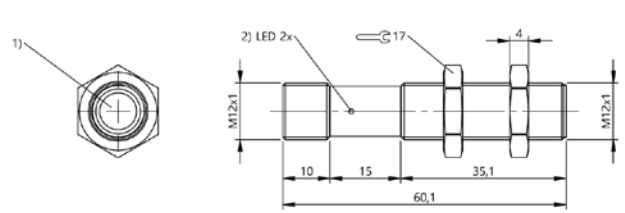


	BUS006J BUS Q62K1-XC-35/340-S92K	BUS006K BUS Q62K1-XC-60/600-S92K			
	block style	block style			
	—	—			
	Connector, M12x1 connector, 5-pin	Connector, M12x1 connector, 5-pin			
	PBT	PBT			
	PU foam epoxy resin glass	PU foam epoxy resin glass			
	350...5000 mm	600...8000 mm			
	—	—			
	cULus LISTED, CE, EAC	cULus LISTED, CE, EAC			
	-25...70 °C	-25...70 °C			
	IP67	IP67			
	± 0.15 %FS	± 0.15 %FS			
	9...30 VDC	9...30 VDC			
	Page 40	Page 40			



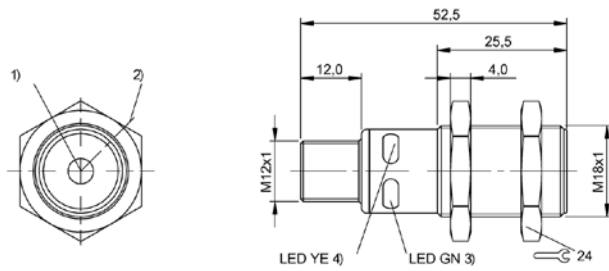
1) Ultrasonic transducer axis, 2) Exit direction 90° connector, 3) Operating voltage, 4) Output function

BUS0067, BUS0069



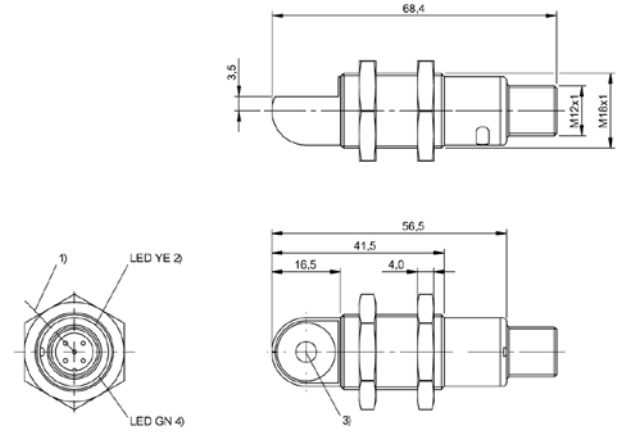
1) Ultrasonic transducer axis, 2) Function indicator

BUS0068, BUS006A



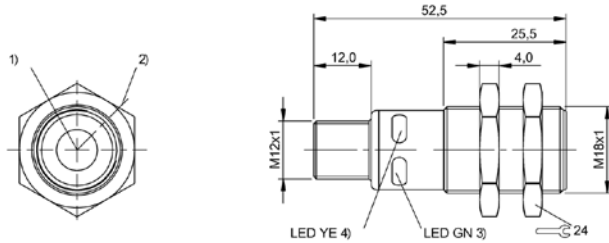
1) Ultrasonic transducer axis, 2) Exit direction 90° connector, 3) Operating voltage, 4) Output function

BUS0026, BUS0025



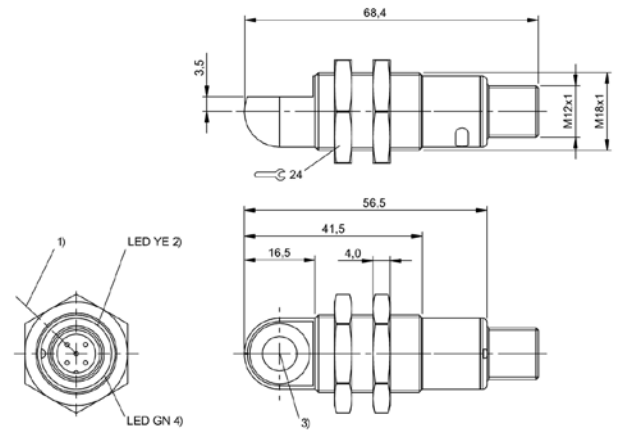
1) Exit direction 90° connector, 2) Output function, 3) Ultrasonic transducer axis, 4) Operating voltage

BUS0028, BUS0027



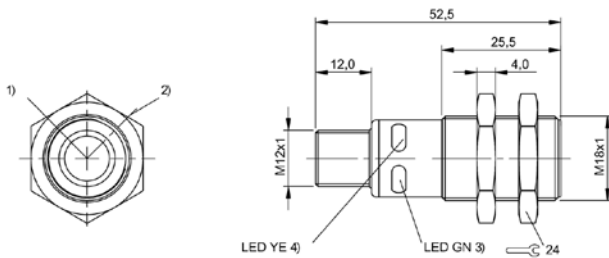
1) Ultrasonic transducer axis, 2) Exit direction 90° connector, 3) Operating voltage, 4) Output function

BUS0024, BUS002C



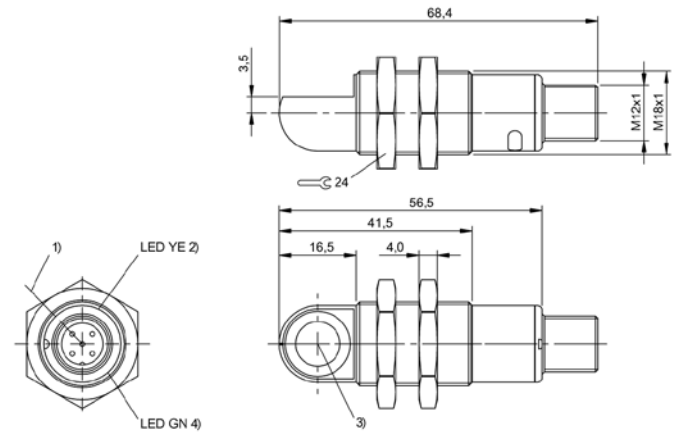
1) Exit direction 90° connector, 2) Output function, 3) Ultrasonic transducer axis, 4) Operating voltage

BUS0050, BUS002E



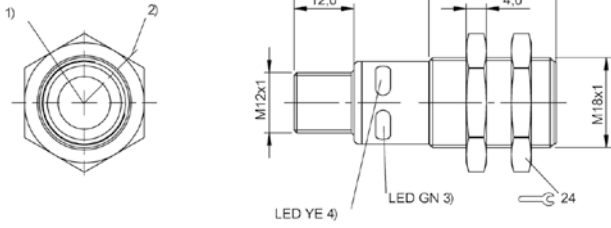
1) Ultrasonic transducer axis, 2) Exit direction 90° connector, 3) Operating voltage, 4) Output function

BUS004T, BUS004W



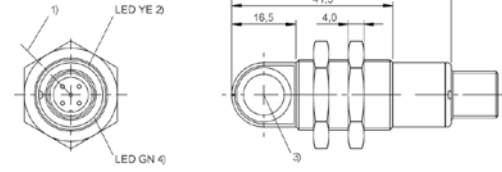
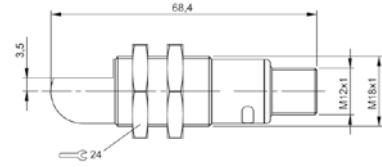
1) Exit direction 90° connector, 2) Output function, 3) Ultrasonic transducer axis, 4) Operating voltage

BUS004R, BUS004U



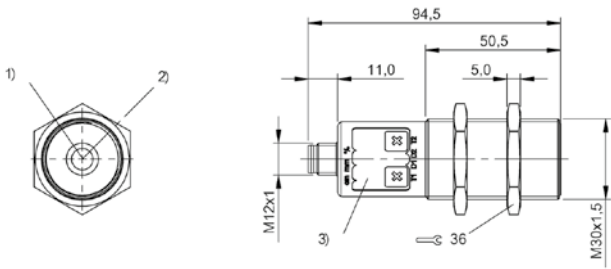
1) Ultrasonic transducer axis, 2) Exit direction 90° connector, 3) LED function indicator, 4) Output function

BUS0052, BUS004M



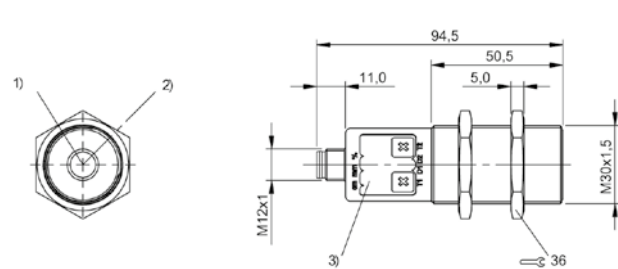
1) Exit direction 90° connector, 2) Output function, 3) Ultrasonic transducer axis, 4) Operating voltage

BUS0051, BUS0053



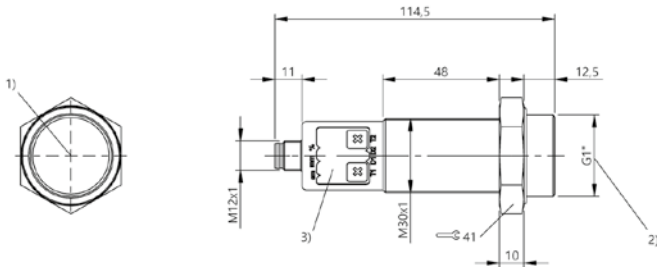
1) Ultrasonic transducer axis, 2) Exit direction 90° connector, 3) Display and control panel

BUS002M, BUS002N, BUS002K, BUS002L



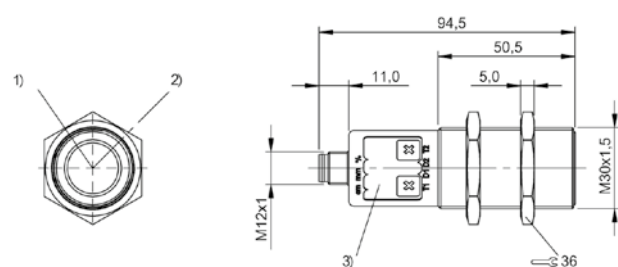
1) Ultrasonic transducer axis, 2) Exit direction 90° connector, 3) Display and control panel

BUS005L, BUS005K, BUS005N, BUS005M



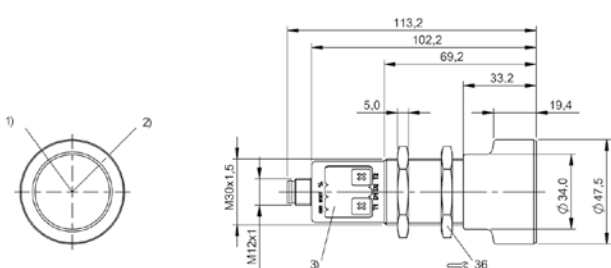
1) Ultrasonic transducer, 2) Process connection, 3) Display and control panel

BUS005Y, BUS005W



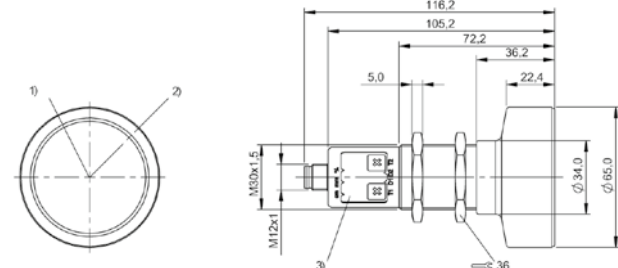
1) Ultrasonic transducer axis, 2) Exit direction 90° connector, 3) Display and control panel

BUS003E, BUS003F, BUS003N, BUS0037, BUS0038



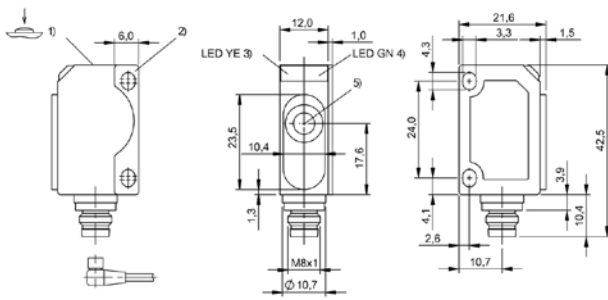
1) Ultrasonic transducer axis, 2) Exit direction 90° connector, 3) Display and control panel

BUS003M, BUS003T, BUS0044, BUS003K, BUS003L



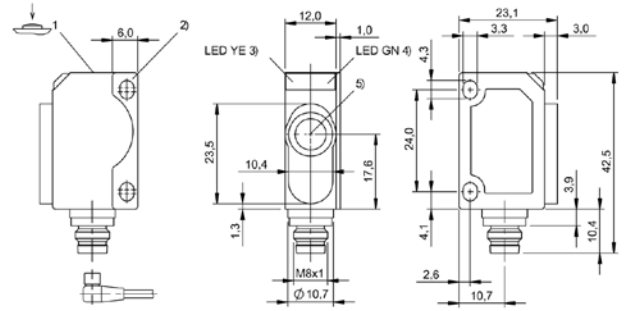
1) Ultrasonic transducer axis, 2) Exit direction 90° connector, 3) Display and control panel

BUS0042, BUS0041, BUS003Y, BUS0043



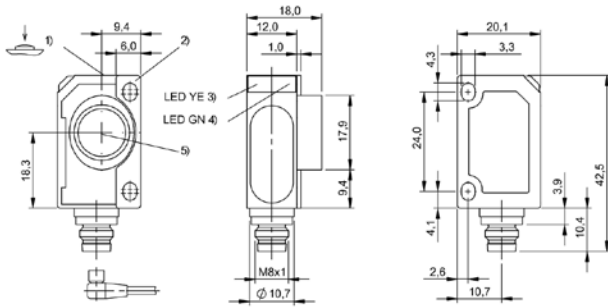
1) Set sensor, 2) Mounting plate, 3) Status indicator, 4) Operating voltage/mode, 5) Ultrasonic transducer axis

BUS004K, BUS004J



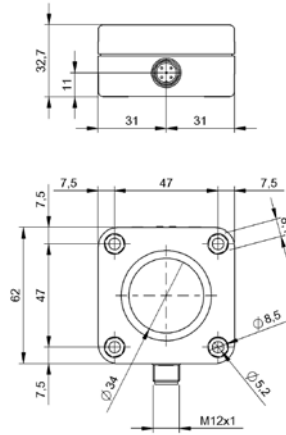
1) Set sensor, 2) Mounting plate, 3) Status indicator, 4) Operating voltage/mode, 5) Ultrasonic transducer axis

BUS0056, BUS004F



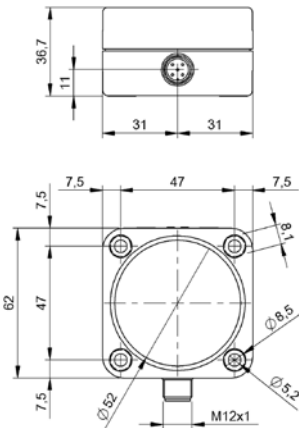
1) Set sensor, 2) Mounting plate, 3) Status indicator, 4) Operating voltage/mode, 5) Ultrasonic transducer axis

BUS005E, BUS005C



1) Ultrasonic transducer, 2) Display and control panel

BUS006J



1) Ultrasonic transducer, 2) Display and control panel

BUS006K



PNP normally open/normally closed	BUS005Y BUS M30E2-PPC-09/035-S92K-G1	
2 × PNP normally open/normally closed		
Style	Ø 47 mm	
Process connection	G 1"	
Analog output	Analog, voltage/Analog, current 0...10 V/4...20 mA linear rising/falling	
Connection	Connector, M12x1 connector, 5-pin	
Housing material	Stainless steel (1.4571) PBT, TPU	
Material sensing surface	PTFE	
Range	85...1500 mm	
Switching frequency	9 Hz	
Approval/Conformity	CE	
Ambient temperature	-25...70 °C	
Protection degree	IP67	
Repeat accuracy	± 0.15 %FS	
Pressure rating max.	6 bar	
Operating voltage U _b	9...30 VDC	
Productview	Page 44	



	BUS005U BUS M30E2-PWX-20/130-S92K-G1	BUS005W BUS M30E2-PPC-20/130-S92K-G1
	Ø 47 mm	Ø 47 mm
	G 1"	G 1"
	—	Analog, voltage/Analog, current 0...10 V/4...20 mA linear rising/falling
	Connector, M12x1 connector, 5-pin	Connector, M12x1 connector, 5-pin
	Stainless steel (1.4571) PBT, TPU	Stainless steel (1.4571) PBT, TPU
	PTFE	PTFE
	200...5000 mm	200...5000 mm
	5 Hz	5 Hz
	CE	CE
	-25...70 °C	-25...70 °C
	IP67	IP67
	± 0.15 %FS	± 0.15 %FS
	6 bar	6 bar
	9...30 VDC	9...30 VDC
	Page 44	Page 44

Sensors

RFID

Machine Vision and
Optical Identification

Human Machine
Interfaces

Safety

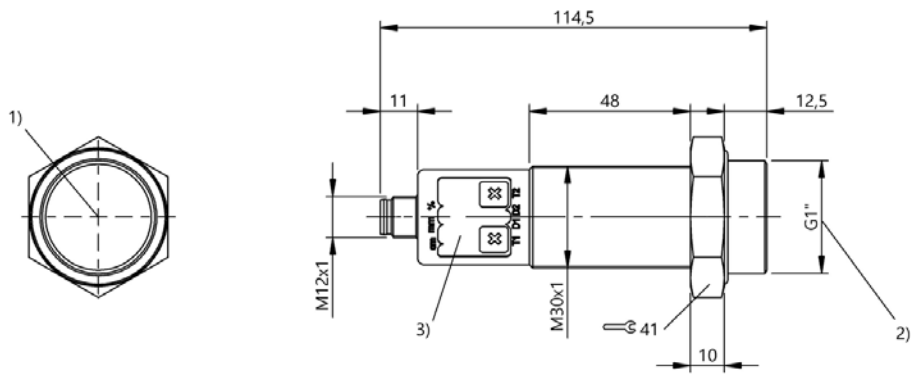
Industrial Networking

Software and
System Solutions

Power Supply

Connectivity

Accessories



1) Ultrasonic transducer, 2) Process connection, 3) Display and control panel

BUS005Y, BUS005U, BUS005W



Precise positioning in very fast-moving applications

MAGNETIC ENCODERS



Balluff's magnetic encoders were developed for precise positioning and speed detection in very dynamic applications. The highly-precise, fast-response encoders are optionally equipped with magnetic linear or rotational measuring elements. They are appropriate for linear as well as rotational applications, and incremental or absolute position detection.

Their rugged design makes them ideal in extreme ambient conditions. They also ensure increased uptime of your machines and equipment.

Features

- Contact-free and therefore wear-free
- Incremental or absolute interfaces
- High resolution to 1 μm
- Measurement lengths to 48 m
- Flexible installation and handling
- Long operational life, since very rugged

Preferred models

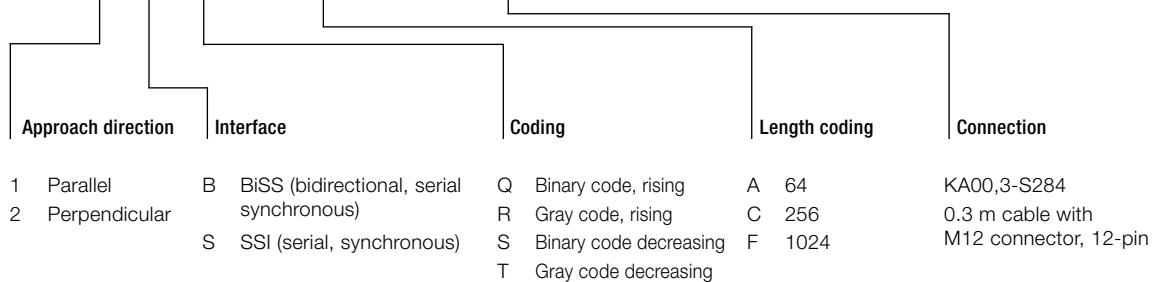
- BML-S1H1-S6QC-M3CA-D0-KA00,3-S284 (BML0393)
Approach direction longitudinal to tape, SSI interface, binary code increasing, 256 length coding, pigtail 0.3 m with M12 plug
- BML-S1H2-S6QC-M3CA-D0-KA00,3-S284 (BML0394)
Approach direction transverse to tape, SSI interface, binary code increasing, 256 length coding, pigtail 0.3 m with M12 plug

Absolute interface
Data format
Incremental interface
Resolution
Repeat accuracy
Overall system accuracy
Operating voltage
Current consumption
Max. read distance sensor/tape
Max. measuring length
Pole division incremental track
Traverse speed max.
Degree of protection
Approval/Conformity
Operating temperature
Housing material
Productview

For all specifications in conjunction with magnetic tape see page 62

Ordering example:

B M L - S 1 H - 6 - C - M 3 - A - D 0 - K A 0 0 . 3 - S 2 8 4



**BML-S1H**

BML-S1H_-6_C-M3_A-D0-KA00,3-S284

SSI or BiSS-C

16-bit (BML-S1H...-M3AA-...), 18-bit (BML-S1H...-M3CA-...) or 20-bit (BML-S1H...-M3FA-...)

Analog signals Sin/Cos 1 Vpp

~0.98 μm ± 1 increment $\pm 7 \mu\text{m}$ 5 V $\pm 5\%$

< 50 mA at 5 V operating voltage

0.35 mm

64 mm (...-M3AA-...), 256 mm (...-M3CA-...) or 1024 mm (...-M3FA-...)

1 mm

5 m/s (absolute)

IP67

CE, cURus, EAC

-20...+80 °C

Aluminum, stainless steel

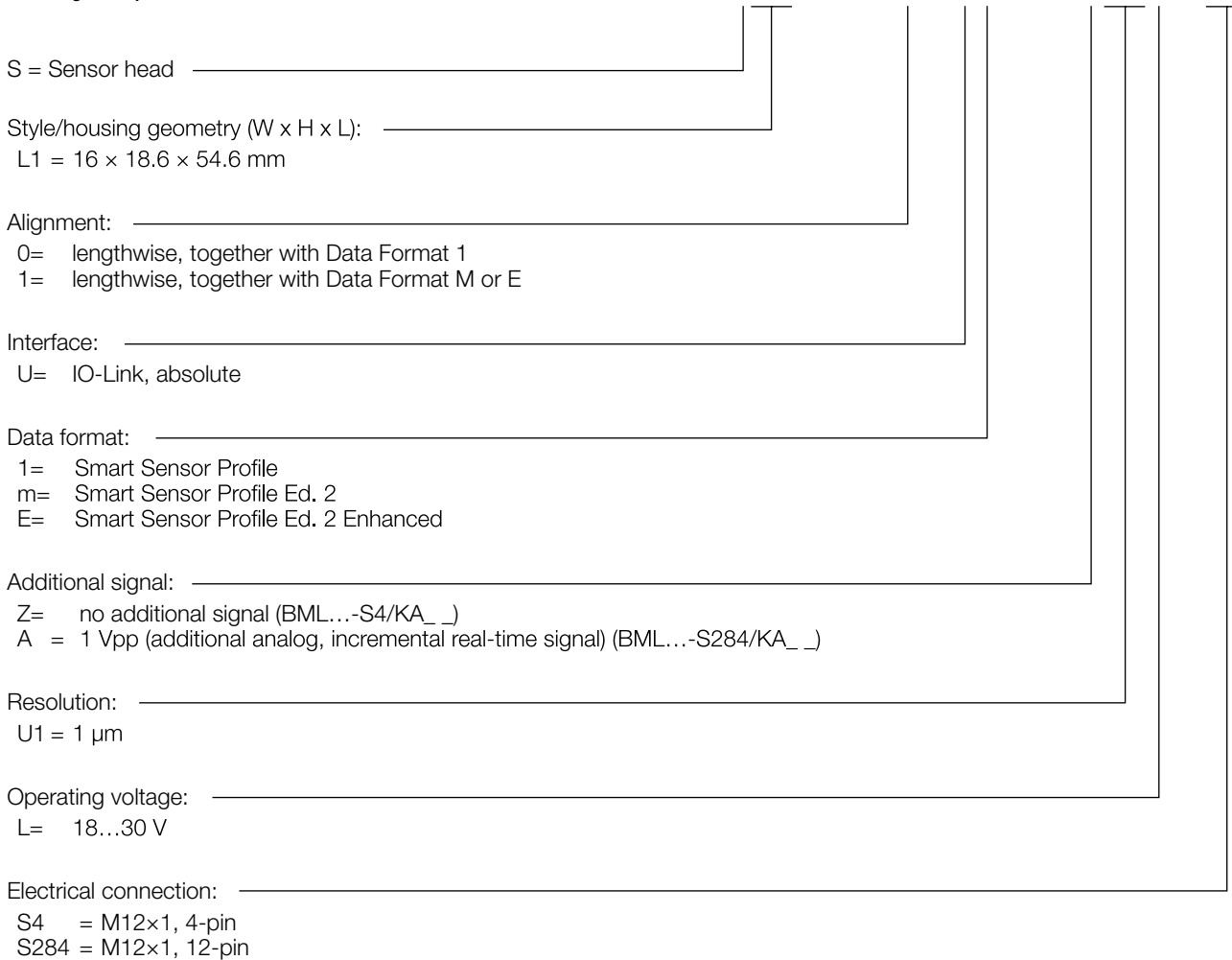
Page 65



	BML0903 BML SL1-ALZ1-UMZZ-ZU1L-S4	
Dimension	16 x 18.6 x 54 mm	
Interface	IO-Link 1.1	
Measuring range	8190 mm	
Connection	M12x1-Male, 4-pin	
Connection	Connector, M12x1-Male, 4-pin	
Resolution	1 µm	
Housing material	Die-cast zinc, nickel plated, Chrome-plated	
Operating voltage U_b	18...30 VDC	
Approval/Conformity	cURus, CE, EAC, WEEE	
Productview	Page 64	

Ordering example:

BML SL1 - ALZ0 - U1ZZ - ZU1L - S4





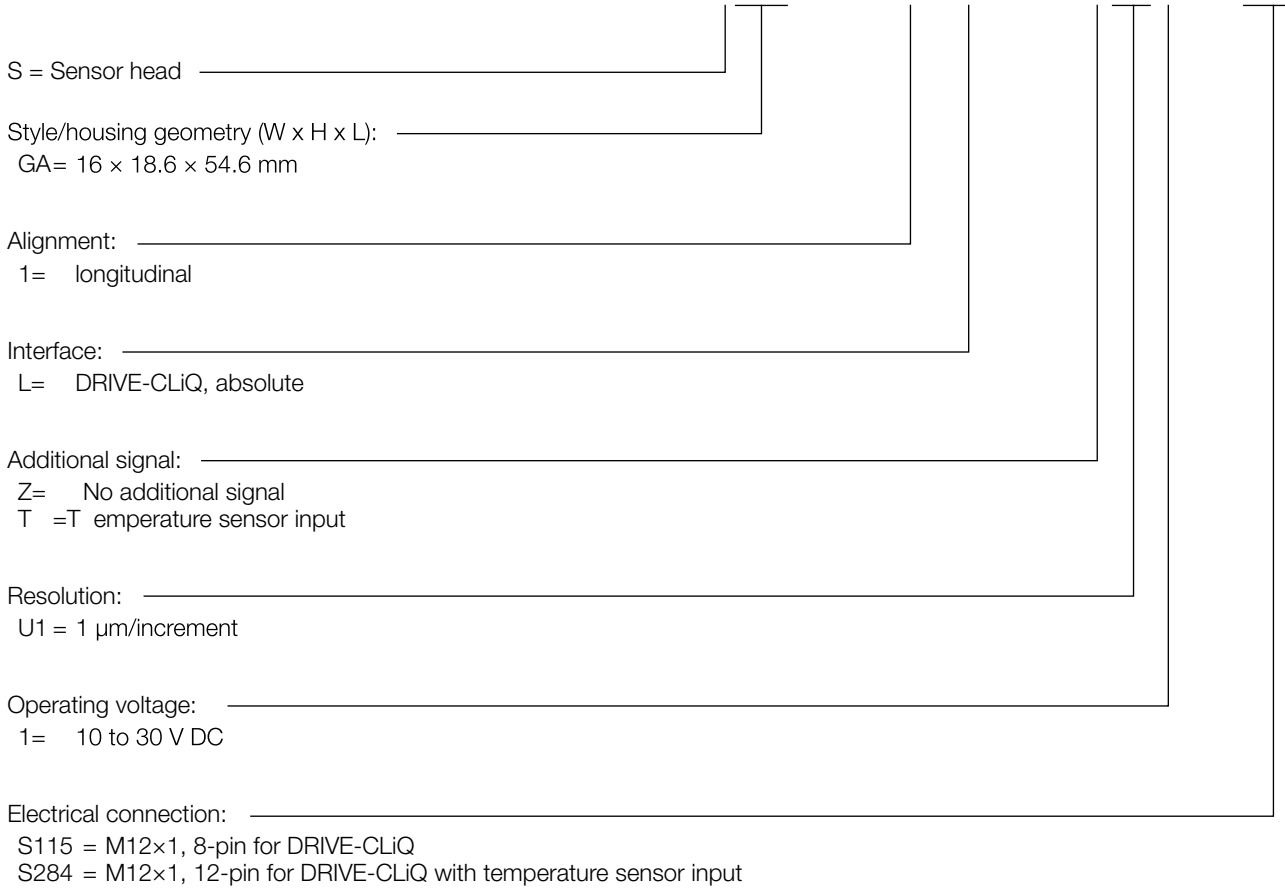
	BML0905 BML SL1-ALZ1-UMZZ-AU1L-KA05	BML0901 BML SL1-ALZ1-UMZZ-AU1L-S284	BML0904 BML SL1-ALZ1-UEZZ-ZU1L-S4
	16 x 18.6 x 54 mm	16 x 18.6 x 54 mm	16 x 18.6 x 54 mm
	IO-Link 1.1	IO-Link 1.1	IO-Link 1.1
	8190 mm	8190 mm	8190 mm
		M12x1-Male, 12-pin	M12x1-Male, 4-pin
	Cable, 5 m, PUR	Connector, M12x1-Male, 12-pin	Connector, M12x1-Male, 4-pin
	1 µm	1 µm	1 µm
	Die-cast zinc, nickel plated, Chrome-plated	Die-cast zinc, nickel plated, Chrome-plated	Die-cast zinc, nickel plated, Chrome-plated
	18...30 VDC	18...30 VDC	18...30 VDC
	cURus, CE, EAC, WEEE	cURus, CE, EAC, WEEE	cURus, CE, EAC, WEEE
	Page 64	Page 64	Page 64



		BML085L BML SGA-AEZ1-LZZZ-ZU11-S115
Dimension		16 x 18.6 x 54 mm
Interface		DRIVE-CLiQ
Measuring range		48 m
Connection		M12x1-Male, 8-pin
Connection		Connector, M12x1-Male, 8-pin
Resolution		1 µm
Housing material		Die-cast zinc, nickel plated, Chrome-plated
Operating voltage Ub		10...30 VDC
Approval/Conformity		cURus, CE, EAC, WEEE
Productview		Page 66

Ordering example:

BML SGA - AEZ1 - LZZZ - ZU11 - S115





BML08MH

BML SGA-AEZ1-LZZZ-TU11-S284

16 x 18.6 x 54 mm

DRIVE-CLiQ

48 m

M12x1-Male, 12-pin

Connector, M12x1-Male, 12-pin

1 µm

Die-cast zinc, nickel plated, Chrome-plated

10...30 VDC

cURus, CE, EAC, WEEE

Page 66

Preferred models

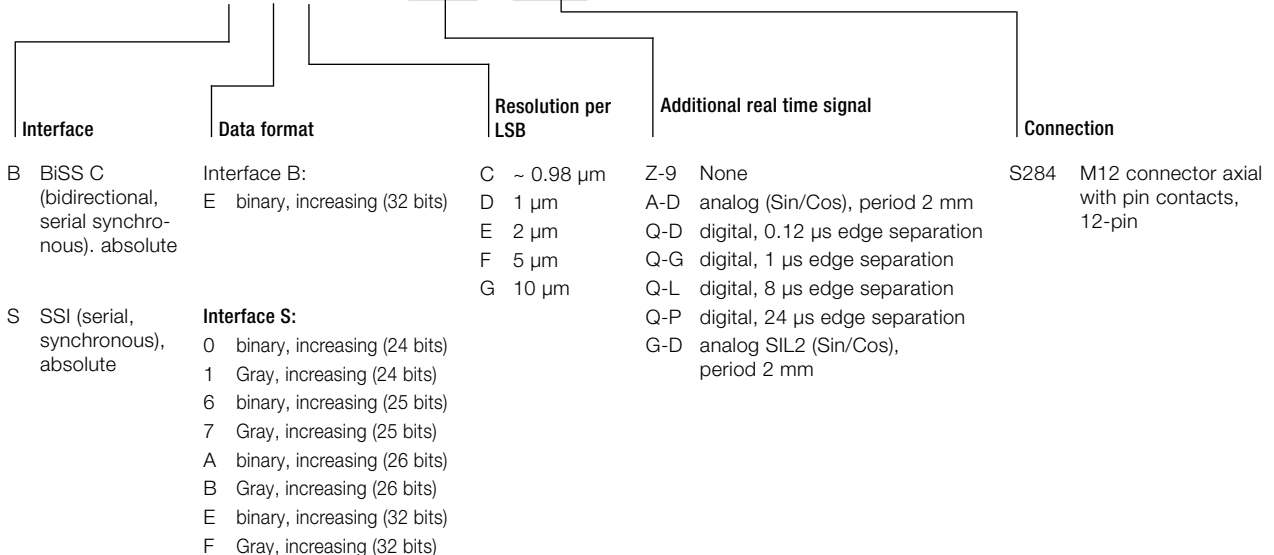
- BML-S1G0-S7ED-M5EA-D0-S284 (BML041H)
SSI interface, 1 µm resolution, additional real time signal Sin/Cos, M12 connector, 12-pin
- BML-S1G0-B7ED-M5EZ-90-S284 (BML042T)
BiSS-C interface, 1 µm resolution, no real time signal, M12 connector, 12-pin

Absolute interface
Data format
Incremental interface
Resolution
Repeat accuracy
Overall system accuracy
Operating voltage
Current consumption
Max. read distance sensor/tape
Max. measuring length
Pole division incremental track
Traverse speed max.
Degree of protection
Approval/Conformity
Operating temperature
Housing material
Productview

For all specifications in conjunction with magnetic tape see page 62

Ordering example:

BML - S1G0 - 7 - M5E - 0 - S284



**BML-S1G0**

BML-S1G0-7__-M5E_-0-S284

SSI or BiSS-C

24, 25, 26 or 32 bit

Digital square wave signals RS 422 A, /A, B, /B, Z, /Z, analog signals Sin/Cos 1 Vpp, or safety-related analog signals Sin/Cos 1 Vpp (SIL2)

~0.98, 1, 2, 5 or 10 μm ± 1 increment $\pm 20 \mu\text{m}$ 5 V $\pm 5\%$ and 10...28 V DC

70 mA at 24 V DC operating voltage

0.8 mm

48 m

2 mm

10 m/s

IP 67

CE, cURus, EAC

-20...+70 $^{\circ}\text{C}$

Die-case zinc, stainless steel

Page 64

Features

- 1 µm resolution (digital)
- ±10 µm system accuracy permits high gain factors
- High repeat accuracy ±1 increment
- Reference signal
- Smallest form factor
- Rugged metal housing
- Mounted parallel or perpendicular to tape
- Pole separation 1 mm

Preferred models

- BML-S1F1-A62Z-M310-90-KA05 (BML02J1):
Installation parallel to tape, analog output Sin/Cos, with reference signal, 5 m cable
- BML-S1F1-Q61D-M310-F0-KA05 (BML001A):
Installation parallel to tape, analog output Sin/Cos, with reference signal, 5 m cable, resolution 1 µm, edge separation 0.48 µs, traverse speed up to 1 m/s

Incremental interface
Resolution
Repeat accuracy
Overall system accuracy
Operating voltage
Current consumption
Max. read distance sensor/tape
Pole division incremental track
Traverse speed max.
Degree of protection
Approval/Conformity
Operating temperature
Housing material
Productview

For all specifications in conjunction with magnetic tape see page 62

Ordering example:

BML - S1F - A62Z - M3 0 - 90 - - - - (with analog output signal Sin/Cos)

BML - S1F - Q61 - M3 0 - 0 - - - - (with digital square wave signal RS422)

Approach direction	Resolution	Reference signal	Min. edge separation*	Connection	
1 Parallel	D 1 µm	0 None	D 0.12 µs	KA02 PUR cable 2 m	
2 Perpendicular	E 2 µm	1 Individually or fixed-periodic	E 0.29 µs	KA05 PUR cable 5 m	
	F 5 µm		F 0.48 µs	KA10 PUR cable 10 m	
	G 10 µm		2 pole-periodic, digital version only ...-Q61_-...	G 1 µs	KA20 PUR cable 20 m
				H 2 µs	
				K 4 µs	
			L 8 µs		
			N 16 µs		
			P 24 µs		



BML-S1F

BML-S1F-A62Z-M3_0-90-
BML-S1F-Q61-M3_0-0-

Digital square wave signals RS422 A, /A, B, /B, Z, /Z, sinusoidal analog signals Sin/Cos 1 Vpp

1 µm, 2 µm, 5 µm or 10 µm

±1 increment

±10 µm

5 V ±5%

< 50 mA at 5 V operating voltage

0.35 mm

1 mm

20 m/s

IP67

CE, cURus, EAC

-20...+80 °C

Aluminum, stainless steel

Page 64

Preferred models

- BML SF2-I201-AZZZ-ZZZ5-KA05 (BML07RR)
Output signal analog Sin/Cos 1 Vpp
- BML SF2-I201-QZ11-ZU25-KA05 (BML0870)
Output signal digital A/B/Z TTL
- BML SF2-I211-AZZZ-ZZZ5-KA05 (BML07RT)
Output signal analog Sin/Cos 1 Vpp with reference signal
- BML SF2-I211-QZ11-ZU25-KA05 (BML085N)
Output signal digital A/B/Z TTL with reference signal

Incremental interface
Resolution
Repeat accuracy
Overall system accuracy
Operating voltage
Current consumption
Max. read distance sensor/tape
Pole division incremental track
Traverse speed max.
Degree of protection
Approval/Conformity
Operating temperature
Housing material
Productview

For all specifications in conjunction with magnetic tape see page 62

Ordering example:

BML SF2-I2 - - A Z Z Z - Z Z Z 5 - - - - - (with analog output signal Sin/Cos)
BML SF2-I2 - - Q Z - - Z - 5 - - - - - (with digital square wave signal RS422)

Reference signal	Approach direction	Minimum edge separation	Resolution	Connection
0 no signal	1 Parallel	11 0.11 µs	U1 1 µs	KA02 PUR cable 2 m
1 Single signal (or fixed-periodic)	2 Perpendicular	26 0.6 µs	U2 2 µs	KA05 PUR cable 5 m
		42 0.42 µs	UD 10 µs	KA10 PUR cable 10 m
2 Pole-periodic signal		94 0.94 µs	UZ 20 µs	KA20 PUR cable 20 m
		N1 1.8 µs		
		J3 3.5 µs		
		A7 7 µs		
		B4 14 µs		
		C1 21 µs		



BML SF2

BML SF2-I2--A-ZZZ-ZZZ5-
BML SF2-I2--QZ--Z_5-

Digital square wave signals RS422 A, /A, B, /B, Z, /Z, sinusoidal analog signals Sin/Cos 1 Vpp

1, 2, 10 or 20 µm

±1 increment

up to ±12 µm (depending on the mechanical installation)

5 V ±5%

< 50 mA at 5 V operating voltage

1.8 mm

1 mm

20 m/s

IP67

CE, cURus, EAC

-20...+80 °C

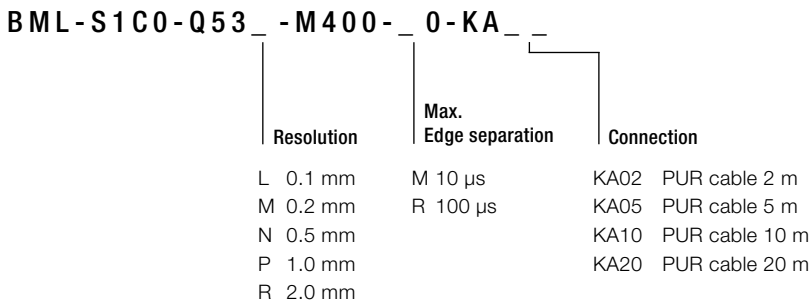
Aluminum, stainless steel

Page 65

Preferred type

BML S1C0-Q53L-M400-M0-KA05 (BML0034)
 Digital signal, 10...30 V, 5 m cable, resolution 0.1 mm, edge separation 10 µs, traverse speed up to 8 m/s

Ordering example:



Incremental interface
Resolution
Repeat accuracy
Overall system accuracy
Operating voltage
Current consumption
Max. read distance sensor/tape
Traverse speed max.
Pole division, incremental track
Degree of protection
Approval/Conformity
Operating temperature
Housing material
Productview

For all specifications in conjunction with magnetic tape see page 62

Ordering example:

BML - S2C0 - - - - M6 - - 0 - - - -

Interface/supply voltage/output signal
 Q51 digital square-wave signals, 10...30 V DC, differential voltage signal (RS422)
 Q53 digital square-wave signals, 10...30 V DC, level same as operating voltage HTL
 Q61 digital square-wave signals, 5 V DC, differential voltage signal (RS422)

Resolution (edge separation A/B)
 G 10 µm K 50 µm L 100 µm
 N 500 µm T 2500 µm

Reference signal
 0 no signal
 2 pole-periodic signal

Error signal
 0 no error signal
 4 Error signal (not for BML-...-KF...)

Min. edge separation /max. travel speed
 K 10 µm L 8 µm M 10 µm
 N 16 µm P 24 µm R 100 µm
 S 1 ms T 2 ms

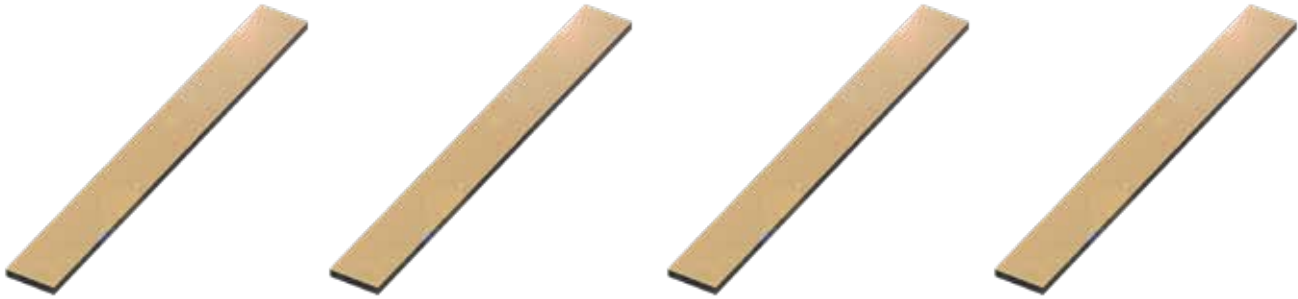
Connection
 KA05 5 m cable, PUR, 12-conductor, cable lengths 2, 5, 10, 20 m
 KF05 5 m cable, PUR, 8-conductor, possible cable lengths 2, 5, 10, 20 m
 KA00,3-S284 0.3 m cable with M12 connector, 12-pin



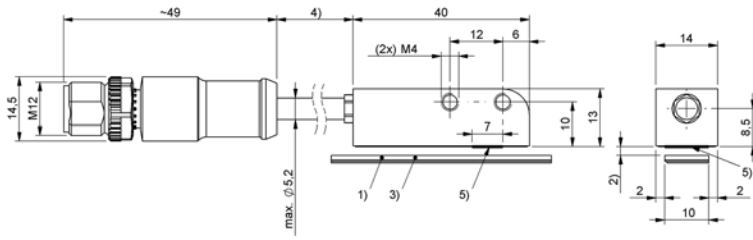
BML-S1C0	BML-S2C0
BML-S1C0-Q53_-M400-_0-KA__	BML-S2C0-_____-M6__-0-____
Digital square wave signals HTL A, B	Digital square wave signals RS422 A, /A, B, /B, Z, /Z or HTL A, B, Z
5 µm, 10 µm, 25 µm or 50 µm	10 µm, 50 µm, 100 µm, 500 µm, 2500 µm
±1 increment	±1 increment
±100 µm	±400 µm
10...30 V	10...30 V or 5 V ±5%
< 40 mA at 24 V operating voltage	< 80 mA at 24 V operating voltage
2 mm	1...5 mm (without cover strip)
10 m/s	10 m/s
5 mm	10 mm
IP67	IP67
CE, cURus, EAC	CE, cURus, EAC
-20...+80 °C	-20...+80 °C
PBT	PBT
Page 65	Page 65



Model	Magnetic Tape	Magnetic Tape	Magnetic Tape	
Suitable for sensor heads	BML-S1H	BML-S1G	BML SL1	
Type code	BML-M02-A33-A3-M0009-A BML-M02-A33-A3-M0028-C BML-M02-A33-A3-M0102-F	BML-M02-A55-A3-M_ _ _ -E	BML TSC-ALCZ-1_ZZ-M_ _ _ _	
Total length	91 mm, 283 mm, 1024 mm	up to 48 m	up to 8.19 m	
Measuring length	64 mm, 256 mm, 997 mm	up to 48 m	up to 8.19 m	
Accuracy class	5 µm	18 µm	40 µm	
Reference points	not relevant	not relevant	not relevant	
Magnetic tape material	Rubber ferrite	Rubber ferrite	Rubber ferrite	
Cover strip and tape carrier material	Stainless steel	Stainless steel	Stainless steel	
Productview	Page 65	Page 65	Page 65	

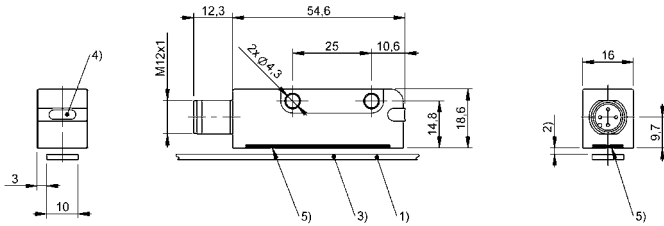


Magnetic Tape	Magnetic Tape	Magnetic Tape	Magnetic Tape
BML-S1F	BML SF2	BML-S2B BML-S2E BML-S1C	BML-S2C
BML-M02-I3_-A_-M_ _ _ _ -R0000	BML TSC-I2_-1_ZZ-M_ _ _ _	BML-M02-I4_-A_-M_ _ _ _ -R0000	BML-M07-I68-A_-M_ _ _ _ -R0000
up to 48 m	up to 48 m	up to 48 m	up to 48 m
up to 48 m	up to 48 m	up to 48 m	up to 48 m
8 µm, 18 µm	8 µm, 18 µm	18 µm, 50 µm	250 µm
with/without	with/without	with/without	without
Rubber ferrite	Rubber ferrite	Rubber ferrite	Rubber ferrite
Stainless steel	Stainless steel	Stainless steel	Stainless steel
Page 65	Page 65	Page 65	Page 65



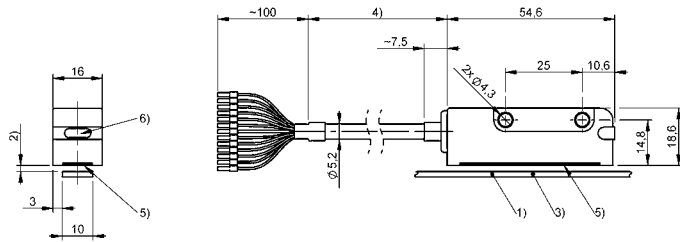
1) Not included in scope of delivery, 2) Distance to tape, 3) Tape, 4) Cable length, 5) Active measuring surface

BML-S1H...



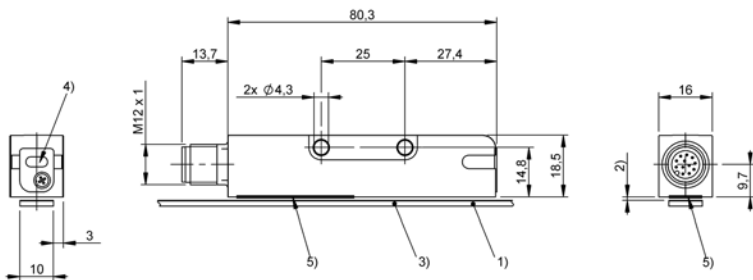
1) Not included in scope of delivery, 2) Distance to tape, 3) Tape, 4) Cable length, 5) Active measuring surface
6) LED function indicator

BML SL1-ALZ1-..., BML06HE, BML06HC



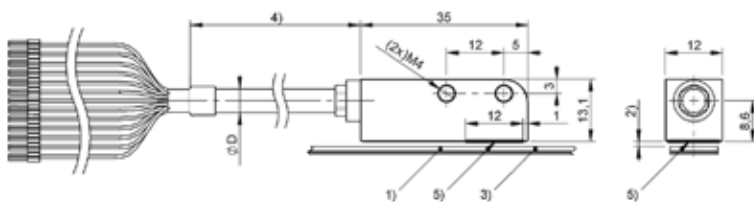
1) Not included in scope of delivery, 2) Distance to tape, 3) Tape, 4) Cable length, 5) Active measuring surface
6) LED function indicator

BML0905



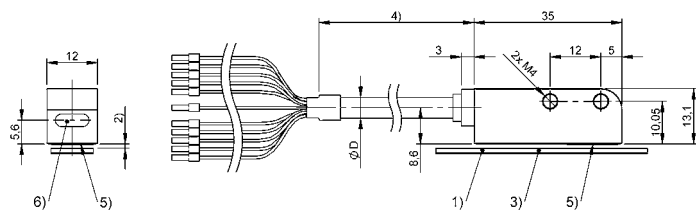
1) Not included in scope of delivery, 2) Distance to tape, 3) Tape, 4) Insulator, 5) Active measuring surface
6) LED function indicator

BML-S1G0...



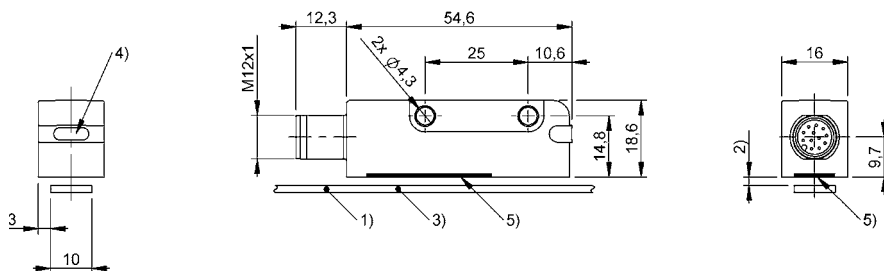
1) Not included in scope of delivery, 2) Distance to tape, 3) Tape, 4) Cable length

BML-S1F...



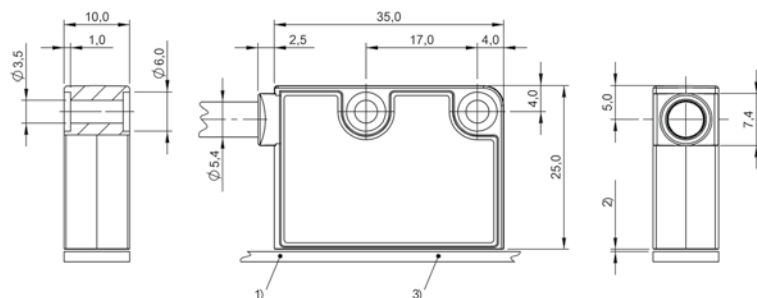
- 1) Not included in scope of delivery, 2) Distance to tape, 3) Tape, 4) Cable length, 5) Active measuring surface, 6) LED function indicator

BML SF2..



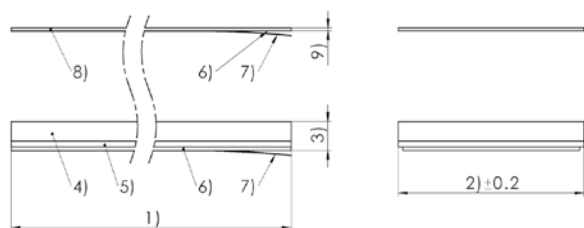
- 1) not included in delivery, 2) distance to measuring body, 3) measuring body, 4) LED function display, 5) active measuring area

BML085L, BML08MH



- 1) Not included in scope of delivery, 2) Distance to tape, 3) tape

BML-S1C0-..., BML-S2C0-...



- 1) Nominal length/order length, 2) Width, 3) Height of tape, 4) Magnetic layer, 5) Carrier tape, 6) Adhesive layer, 7) Protective film for removing, 8) Cover tape, 9) Height of cover tape

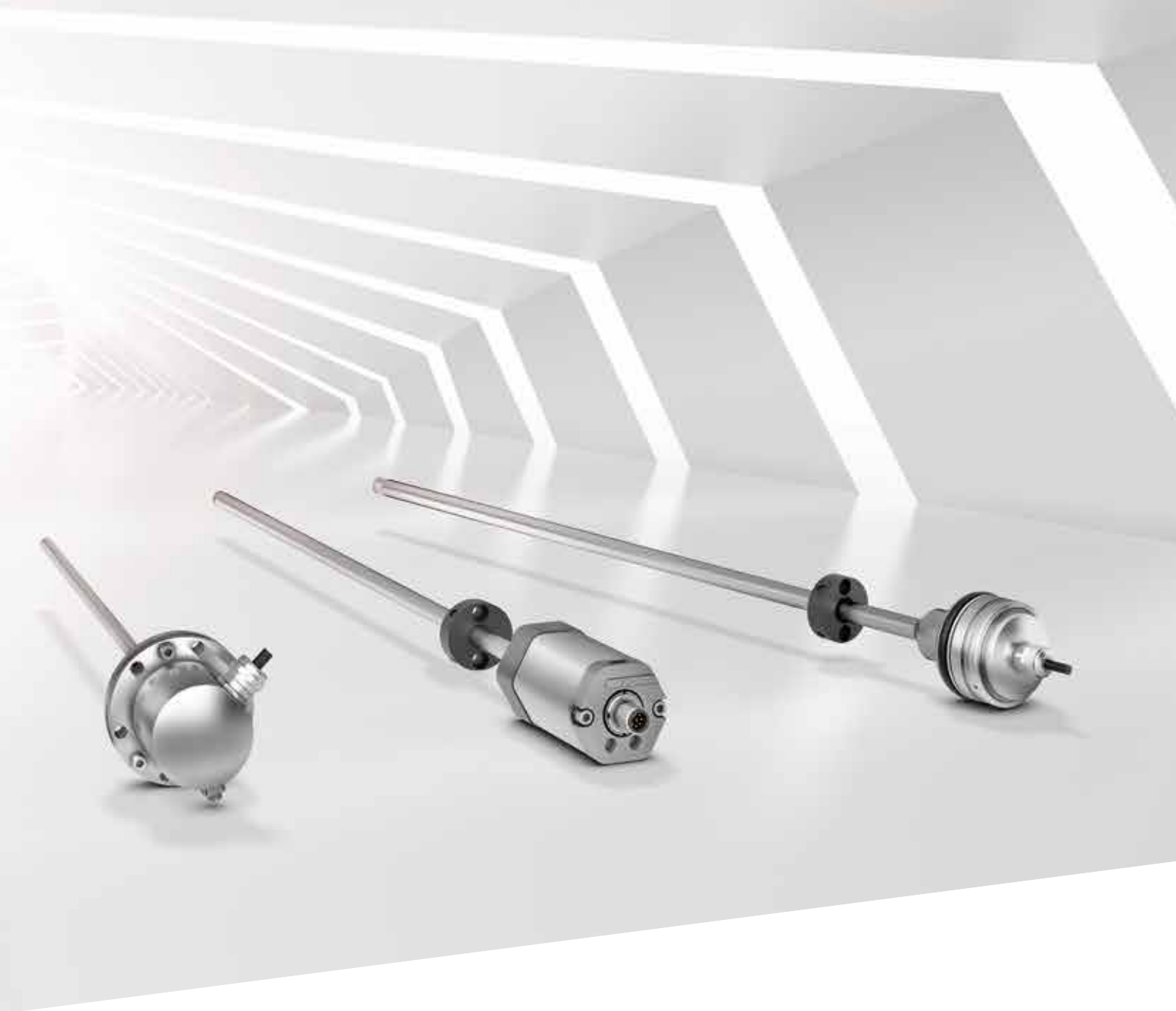
MAGNETIC TAPE

BML-S1H, BML-S1G, BML-SL1, BML-S1F, BML SF2, BML-S2B, BML-S2E, BML-S2C, BML-S1C



Reliable even over long stroke lengths
and in harsh conditions

MAGNETOSTRICTIVE SENSORS



Magnetostrictive sensors come into use wherever high reliability and precision is demanded in position and speed measurement. Also over long stroke lengths.

Our contact-free and absolute measuring systems are suitable for all industry-standard interfaces for a wide range of applications. Even under extreme surrounding conditions, they guarantee a high machine and system availability.

Features

- Precise, absolute measurement without a reference run
- Contact-free, so wear- and maintenance-free
- Resistant to shock, vibration and contamination
- Hermetically sealed housing
- Highly dynamic control applications through synchronized measurement data
- High durability and long service life
- Flexible installation and handling



BTL7 -P- SERIES - ANALOG VOLTAGE	
Interface	Analog, voltage
Measuring length	50...7620 mm
Repeat accuracy	± 10 µm
Linearity deviation	nmm = 0050...0500: ± 50 µm nmm = 0501...5500: ± 0.01% FS nmm > 5500: ± 0.02% FS
Operating voltage Ub	10...30 VDC
Ambient temperature	-40...85 °C
Mechanical configuration	Block-style profile - 37 x 35 mm
Housing material	Aluminum, Anodized
IP rating	I = S: IP67 with connector I = KA: IP68
Approval/Conformity	CE cULus EAC WEEE
Ex category	—

BTL7-abcd-Mnnnn-f-lm

BTL7

Magnetostrictive linear position sensor
Generation 7

a interface

A = Voltage output 0 ... 10 V
G = voltage output -10 ... 10 V

b Operating voltage

5 = 10 ... 30 V

c + d Interface characteristic 1 + 2

01 = 2 outputs, each 1 x rising/falling
settable/programmable

Mnnnn Nominal length (4-position)

M0500 = metric in mm
(M0050...M7620)

f Style

P = Profile

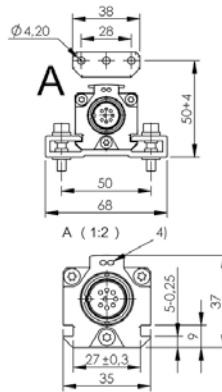
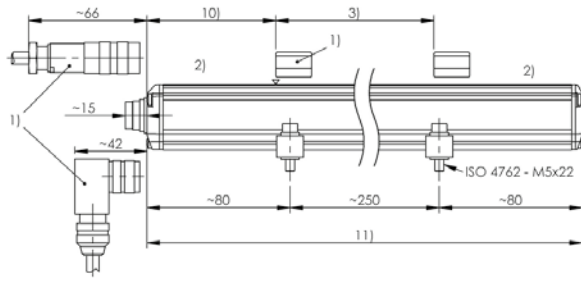
l Connection type

S = Connector
KA = Cable (PUR)

m Connection type characteristic 1

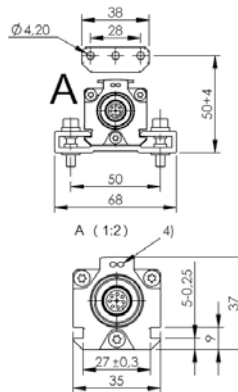
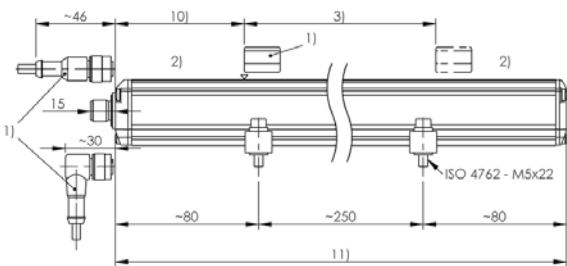
for connector:
32 = M16x0.75 connector with 8 pins
115 = M12x1 connector with 8 pins
for cable (length in meters):
02, 05, 10, 15, 20, 30

BTL7-A501-Mxxxx-P-S32



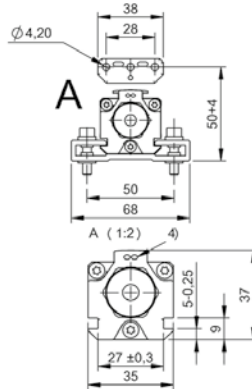
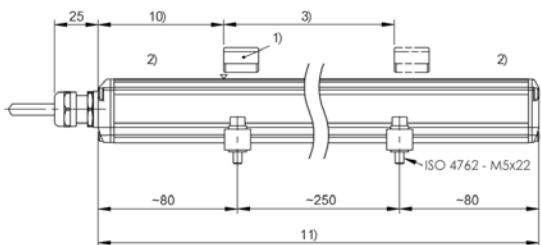
- 1) not included in scope of delivery
- 2) Non-usable area
- 3) Nominal length = Measuring length
- 4) LED function indicator
- 10) Null point
- 11) Installation length

BTL7-G501-Mxxxx-P-S115



- 1) not included in scope of delivery
- 2) Non-usable area
- 3) Nominal length = Measuring length
- 4) LED function indicator
- 10) Null point
- 11) Installation length

BTL7-A501-Mxxxx-P-KAxx



- 1) not included in scope of delivery
- 2) Non-usable area
- 3) Nominal length = Measuring length
- 4) LED function indicator
- 10) Null point
- 11) Installation length



	BTL7 -P- SERIES - ANALOG CURRENT
Interface	Analog, current
Measuring length	50...7620 mm
Repeat accuracy	± 5 µm
Linearity deviation	n n n n = 0050...0500: ± 50 µm n n n n = 0501...5500: ± 0.01% FS n n n n > 5500: ± 0.02% FS
Operating voltage Ub	10...30 VDC
Ambient temperature	-40...85 °C
Mechanical configuration	Block-style profile - 37 x 35 mm
Housing material	Aluminum, Anodized
IP rating	I = S: IP67 with connector I = KA: IP68
Approval/Conformity	CE cULus EAC WEEE
Ex category	—

BTL7-abcd-Mnnnn-f-lm

BTL7

Magnetostrictive linear position sensor
Generation 7

a interface

C = Current output 0 ... 20 mA
E = Current output 4 ... 20 mA

b Operating voltage

5 = 10 ... 30 V

c + d Interface characteristic 1 + 2

01 = 2 outputs, each 1 x rising/falling
settable/programmable

08 = 1 output, rising, 1 auxiliary output
voltage, rising settable/programmable

09 = 1 output, rising, 1 auxiliary output
voltage, falling settable/programmable

12 = 1 output, falling, 1 auxiliary output
voltage, rising settable/programmable

13 = 1 output, falling, 1 auxiliary output
voltage, falling settable/programmable

Mnnnn Nominal length (4-position)

M0500 = metric in mm
(M0050...M7620)

f Style

P = Profile

l Connection type

S = Connector
KA = Cable (PUR)

m Connection type characteristic 1

for connector:

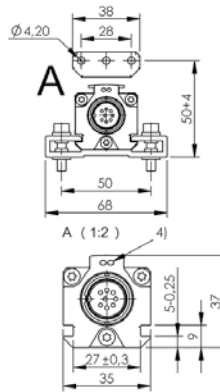
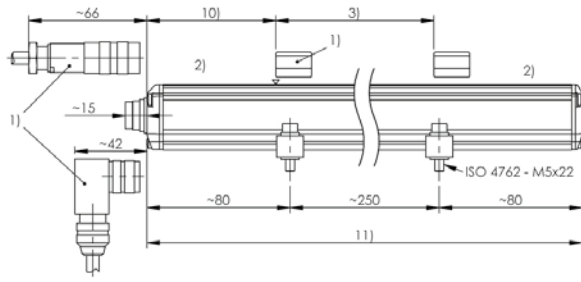
32 = M16x0.75 connector with 8 pins

115 = M12x1 connector with 8 pins

for cable (length in meters):

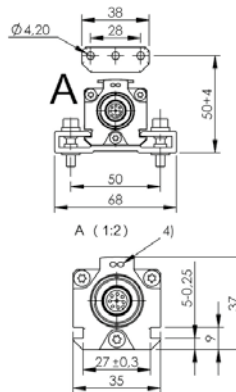
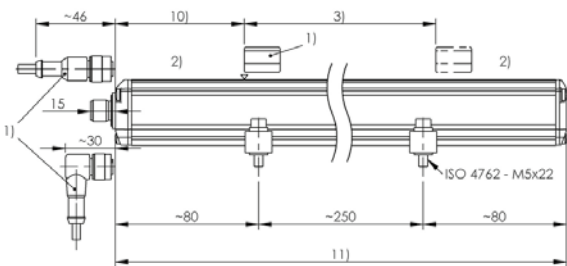
02, 05, 10, 15, 20, 50, 100

BTL7-E501-Mxxxx-P-S32



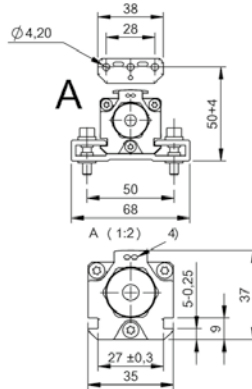
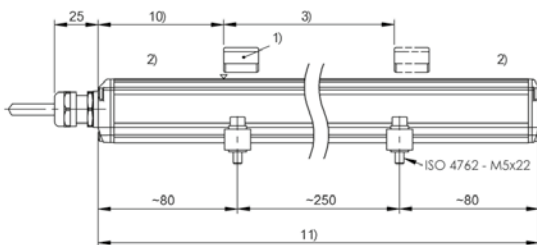
- 1) not included in scope of delivery
- 2) Non-usable area
- 3) Nominal length = Measuring length
- 4) LED function indicator
- 10) Null point
- 11) Installation length

BTL7-C501-Mxxxx-P-S115



- 1) not included in scope of delivery
- 2) Non-usable area
- 3) Nominal length = Measuring length
- 4) LED function indicator
- 10) Null point
- 11) Installation length

BTL7-E508-Mxxxx-P-KAxx



- 1) not included in scope of delivery
- 2) Non-usable area
- 3) Nominal length = Measuring length
- 4) LED function indicator
- 10) Null point
- 11) Installation length



	BTL7 -P- SERIES - DIGITAL
Interface	Digital pulse
Measuring length	50...7620 mm
Repeat accuracy	$\leq \pm 5 \mu\text{m}$
Linearity deviation	nmm = 0050...5500: $\pm 50 \mu\text{m}$ nmm > 5500: $\pm 0.02\%$ FS
Operating voltage U_b	10...30 VDC
Ambient temperature	-40...85 °C
Mechanical configuration	Block-style profile - 37 x 35 mm
Housing material	Aluminum, Anodized
IP rating	I = S: IP67 with connector I = KA: IP68
Approval/Conformity	CE cULus EAC WEEE
Ex category	—

BTL7-abcd-Mnnnn-f-lm

BTL7

Magnetostrictive linear position sensor
Generation 7

a interface

P = Digital pulse interface

b Operating voltage

5 = 10 ... 30 V

c Interface characteristic 1

1 = Digital start/stop interface

d Interface characteristic 2

1 = DPI/IP communication interface

Mnnnn Nominal length (4-position)

M0500 = metric in mm
(M0050...M7620)

f Style

P = Profile

l Connection type

S = Connector
KA = Cable (PUR)

m Connection type characteristic 1

for connector:

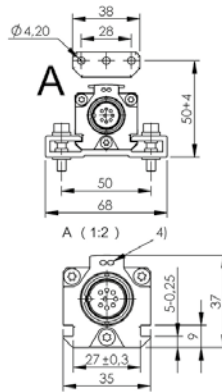
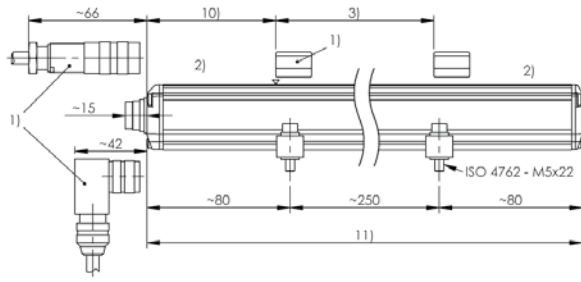
32 = M16x0.75 connector with 8 pins

115 = M12x1 connector with 8 pins

for cable (length in meters):

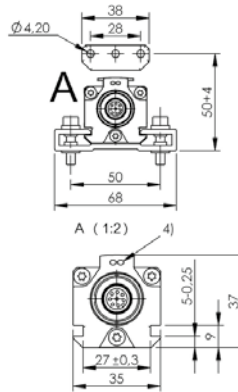
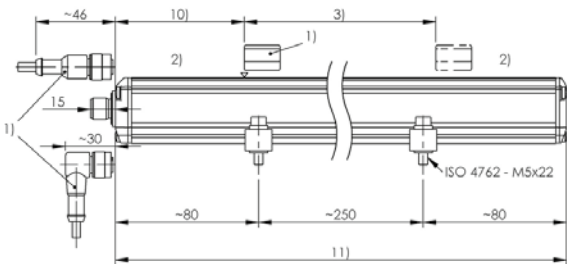
02, 05, 10, 15, 20, 30, 50, 100

BTL7-P511-Mxxxx-P-S32



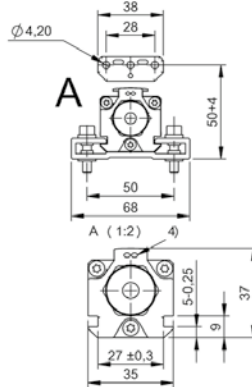
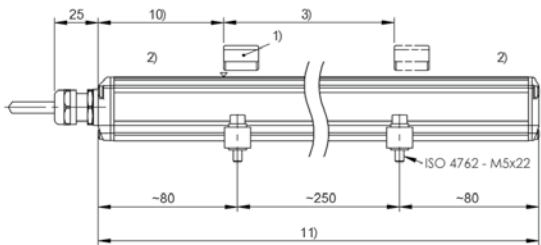
- 1) not included in scope of delivery
- 2) Non-usable area
- 3) Nominal length = Measuring length
- 4) LED function indicator
- 10) Null point
- 11) Installation length

BTL7-P511-Mxxxx-P-S115



- 1) not included in scope of delivery
- 2) Non-usable area
- 3) Nominal length = Measuring length
- 4) LED function indicator
- 10) Null point
- 11) Installation length

BTL7-P511-Mxxxx-P-KAxx



- 1) not included in scope of delivery
- 2) Non-usable area
- 3) Nominal length = Measuring length
- 4) LED function indicator
- 10) Null point
- 11) Installation length



	BTL7 -P- SERIES - SSI
Interface	SSI
Measuring length	50...7620 mm
Repeat accuracy	$\leq \pm 5 \mu\text{m}$
Linearity deviation	d = 1, 2, 3, 7, 9: nnnn = 50...5500: $\pm 30\mu\text{m}$ d = 4, 5, 6, 8 nnnn = 50...5500: $\pm 2 \text{ LSB}$ nnnn > 5500: $\pm 0.02\% \text{ FS}$
Operating voltage U_b	10...30 VDC
Ambient temperature	-40...85 °C
Mechanical configuration	Block-style profile - 37 x 35 mm
Housing material	Aluminum, Anodized
IP rating	I = S: IP67 with connector I = KA: IP68
Approval/Conformity	CE cULus EAC WEEE
Ex category	—

BTL7-abcde-Mnnnn-f-lm

BTL7

Magnetostrictive linear position sensor
Generation 7

a interface

S = SSI

b Operating voltage

5 = 10 ... 30 V

c Interface characteristic 1

0 = 24 bits, binary, rising
1 = 24 bits, gray, rising
2 = 24 bits, binary, falling
3 = 24 bits, gray, falling
6 = 25 bits, binary, rising
7 = 25 bits, gray, rising
8 = 25 bits, binary, falling
9 = 25 bits, gray, falling
A = 26 bits, binary, rising
B = 26 bits, gray, rising
C = 26 bits, binary, falling
D = 26 bits, gray, falling

d Interface characteristic 2

1 = 1 μm
2 = 5 μm
3 = 10 μm
4 = 20 μm
5 = 40 μm
6 = 100 μm
7 = 2 μm
8 = 50 μm
9 = 0.5 μm

e Interface characteristic 3

B = Synchronous mode
- = Asynchronous mode

Mnnnn Nominal length (4-position)

M0500 = metric in mm
(M0050...M7620)

f Style

P = Profile

l Connection type

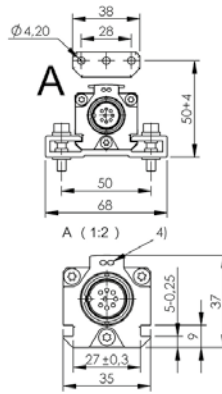
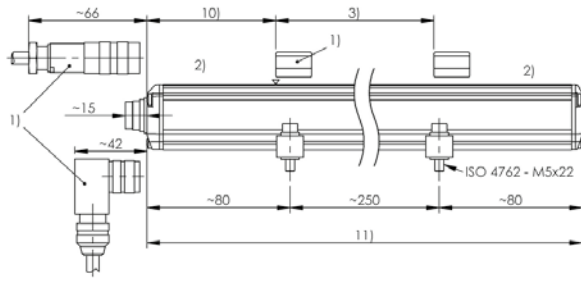
S = Connector
KA = Cable (PUR)

m Connection type characteristic 1

for connector:

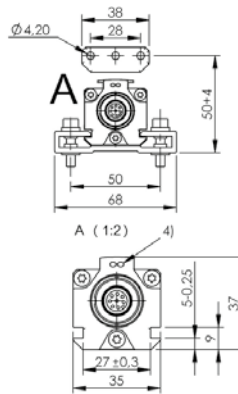
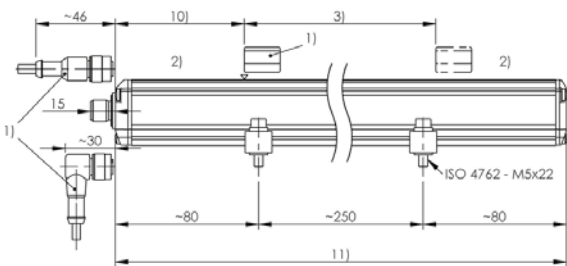
32 = M16x0.75 connector with 8 pins
115 = M12x1 connector with 8 pins
147 = M16x0.75 connector with 7 pins
for cable (length in meters):
02, 05, 10, 15, 20, 30, 50, 100

BTL7-S510x-Mxxxx-P-S32



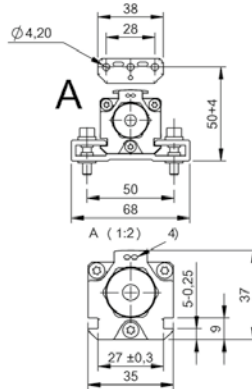
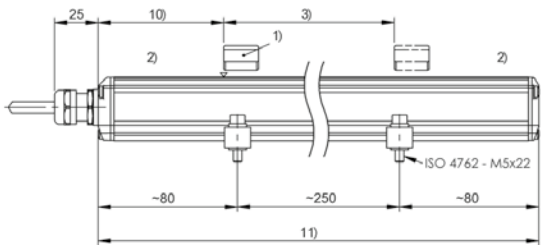
- 1) not included in scope of delivery
- 2) Non-usable area
- 3) Nominal length = Measuring length
- 4) LED function indicator
- 10) Null point
- 11) Installation length

BTL7-S5xxx-Mxxxx-P-S115



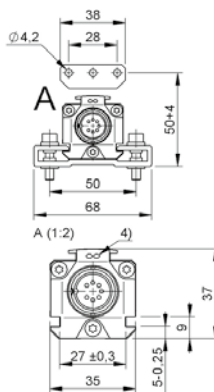
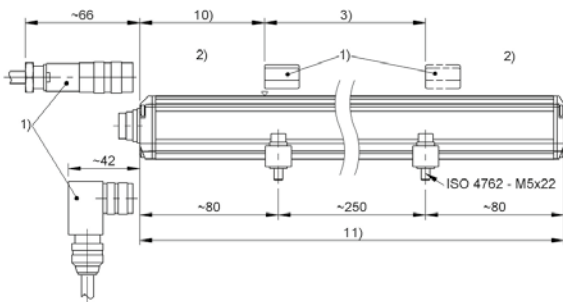
- 1) not included in scope of delivery
- 2) Non-usable area
- 3) Nominal length = Measuring length
- 4) LED function indicator
- 10) Null point
- 11) Installation length

BTL7-S5xxx-Mxxxx-P-KAxx



- 1) not included in scope of delivery
- 2) Non-usable area
- 3) Nominal length = Measuring length
- 4) LED function indicator
- 10) Null point
- 11) Installation length

BTL7-S5xxx-Mxxxx-P-S147



- 1) not included in scope of delivery
- 2) Non-usable area
- 3) Nominal length = Measuring length
- 4) LED function indicator
- 10) Null point
- 11) Installation length



	BTL5 -P- SERIES - CANOPEN
Interface	CANopen
Measuring length	25...4000 mm
Repeat accuracy	± 1 LSB
Linearity deviation	±30 µm
Operating voltage Ub	20...28 VDC
Ambient temperature	-40...85 °C
Mechanical configuration	Block-style profile - 37 x 35 mm
Housing material	Aluminum, Anodized
IP rating	IP67 with connector
Approval/Conformity	CE cULus EAC WEEE
Ex category	—

BTL5-abcd-Mnnnn-f-lm

BTL5

Magnetostrictive linear position sensor
Generation 5

a interface

H = CANopen

b Operating voltage

1 = 20 ... 28 V

c Interface characteristic 1

1 = 1 magnet
2 = 2 magnets
3 = 4 magnets

d Interface characteristic 2

Data transmission rate:

0 = 1 MBaud
1 = 800 MBaud
2 = 500 kBaud
3 = 250 kBaud
4 = 125 kBaud
5 = 100 kBaud
6 = 50 kBaud
7 = 25 kBaud
8 = 10 kBaud

Mnnnn Nominal length (4-position)

M0500 = metric in mm
(M0050...M4000)

f Style

P = Profile

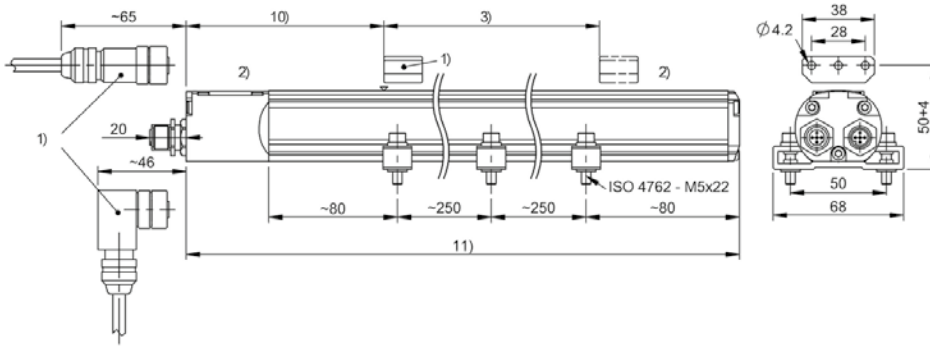
l Connection type

S = Connector

m Connection type characteristic

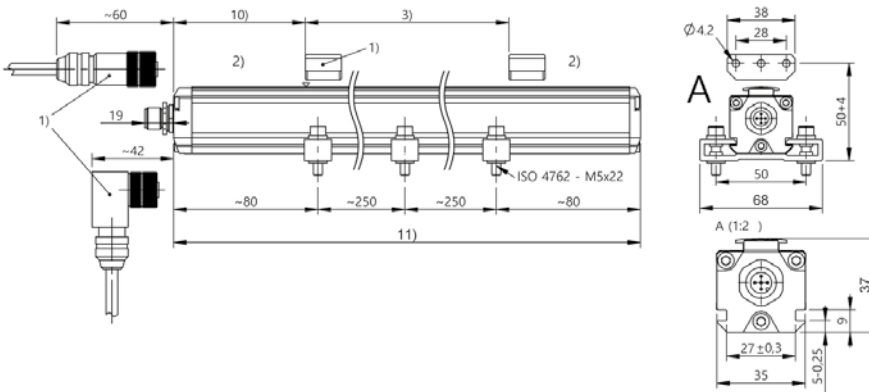
92 = 1 x M12x1 connector with 5 pins
94 = 1 x M12x1 connector with 5 pins +
1 x M12x1 female with 5 pins

BTL5-Hxxx-Mxxxx-P-S94



- 1) not included in scope of delivery
- 2) Non-usable area
- 3) Nominal length = Measuring length
- 10) Null point
- 11) Installation length

BTL5-Hxxx-Mxxxx-P-S92



- 1) not included in scope of delivery
- 2) Non-usable area
- 3) Nominal length = Measuring length
- 10) Null point
- 11) Installation length



	BTL7 -P- SERIES - PROFINET
Interface	Profinet
Measuring length	50...7620 mm
Repeat accuracy	$\leq \pm 5 \mu\text{m}$
Linearity deviation	nmm = 0050...5500: $\pm 30 \mu\text{m}$ nmm > 5500: $\pm 0.02\%$ FS
Operating voltage U_b	10...30 VDC
Ambient temperature	-40...85 °C
Mechanical configuration	Block-style profile - 37 x 35 mm
Housing material	Aluminum, Anodized
IP rating	IP67 with connector
Approval/Conformity	CE cULus EAC WEEE
Ex category	—

BTL7-abcd-Mnnnn-f-lm

BTL7

Magnetostrictive linear position sensor
Generation 7

a interface

V = EtherNet

b Operating voltage

5 = 10 ... 30 V

c Interface characteristic 1

0 = Flexible Magnet Mode (1 - 16 magnets)

d Interface characteristic 2

T = Profinet

Mnnnn Nominal length (4-position)

M0500 = metric in mm
(M0050...M7620)

f Style

P = Profile

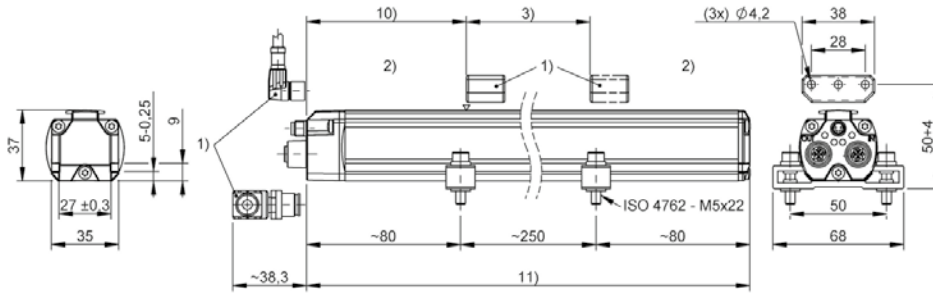
l Connection type

C = Connector

m Connection type characteristic

003 = 1 x M8x1 with 4 pins + 2 x
M12x1 with 4 pins

BTL7-V50T-Mxxxx-P-C003



- 1) not included in scope of delivery
- 2) Non-usable area
- 3) Nominal length = Measuring length
- 10) Null point
- 11) Installation length



	BTL7 -P- SERIES - ETHERNET/IP
Interface	Ethernet/IP
Measuring length	50...7620 mm
Repeat accuracy	$\leq \pm 5 \mu\text{m}$
Linearity deviation	nnnn = 0050...5500: $\pm 30 \mu\text{m}$ nnnn > 5500: $\pm 0.02\%$ FS
Operating voltage U_b	10...30 VDC
Ambient temperature	-40...85 °C
Mechanical configuration	Block-style profile - 37 x 35 mm
Housing material	Aluminum, Anodized
IP rating	IP67 with connector
Approval/Conformity	CE cULus EAC WEEE
Ex category	—

BTL7-abcd-Mnnnn-f-lm

BTL7

Magnetostrictive linear position sensor
Generation 7

a interface

V = EtherNet

b Operating voltage

5 = 10 ... 30 V

c Interface characteristic 1

0 = Flexible Magnet Mode (1 - 16 magnets)

d Interface characteristic 2

D = EtherNet IP

Mnnnn Nominal length (4-position)

M0500 = metric in mm
(M0050...M7620)

f Style

P = Profile

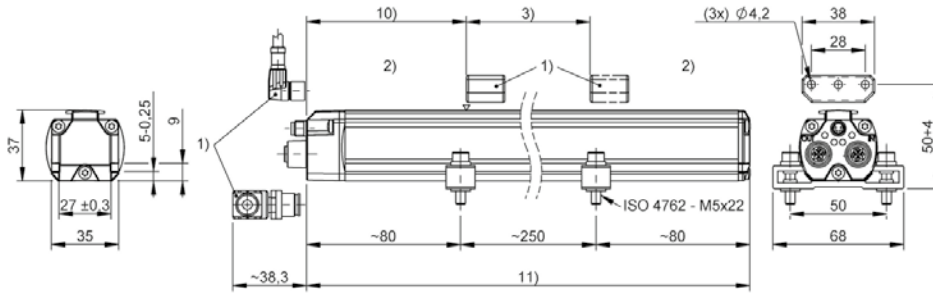
l Connection type

C = Connector

m Connection type characteristic

003 = 1 x M8x1 with 4 pins + 2 x
M12x1 with 4 pins

BTL7-V50D-Mxxxx-P-C003



- 1) not included in scope of delivery
- 2) Non-usable area
- 3) Nominal length = Measuring length
- 10) Null point
- 11) Installation length



	BTL7 -P- SERIES - ETHERCAT
Interface	EtherCAT
Measuring length	50...7620 mm
Repeat accuracy	$\leq \pm 5 \mu\text{m}$
Linearity deviation	nmm = 0050...5500: $\pm 30 \mu\text{m}$ nmm > 5500: $\pm 0.02\%$ FS
Operating voltage U_b	10...30 VDC
Ambient temperature	-40...85 °C
Mechanical configuration	Block-style profile - 37 x 35 mm
Housing material	Aluminum, Anodized
IP rating	IP67 with connector
Approval/Conformity	CE cULus EAC WEEE
Ex category	—

BTL7-abcd-Mnnnn-f-lm

BTL7

Magnetostrictive linear position sensor
Generation 7

a interface

V = EtherNet

b Operating voltage

5 = 10 ... 30 V

c Interface characteristic 1

0 = Flexible Magnet Mode (1 - 16 magnets)

d Interface characteristic 2

E = EtherCAT

Mnnnn Nominal length (4-position)

M0500 = metric in mm
(M0050...M7620)

f Style

P = Profile

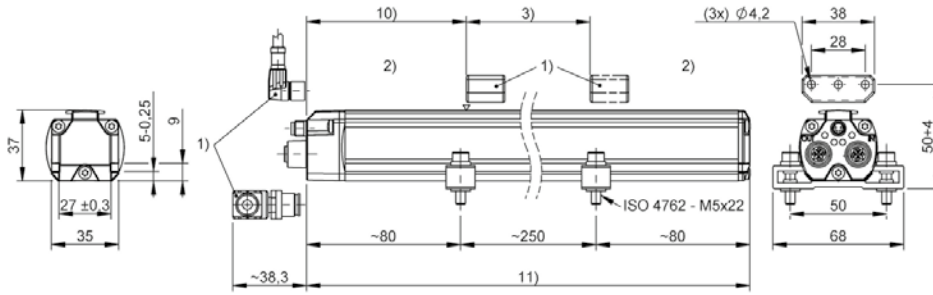
l Connection type

C = Connector

m Connection type characteristic

003 = 1 x M8x1 with 4 pins + 2 x
M12x1 with 4 pins

BTL7-V50E-Mxxxx-P-C003



- 1) not included in scope of delivery
- 2) Non-usable area
- 3) Nominal length = Measuring length
- 10) Null point
- 11) Installation length



	BTL5 -P- SERIES - PROFIBUS
Interface	Profibus
Measuring length	25...4000 mm
Repeat accuracy	± 1 LSB
Linearity deviation	±30 µm
Operating voltage Ub	20...28 VDC
Ambient temperature	-40...85 °C
Mechanical configuration	Block-style profile - 37 x 35 mm
Housing material	Aluminum, Anodized
IP rating	IP67 with connector
Approval/Conformity	CE cULus EAC WEEE
Ex category	—

BTL5-abcd-Mnnnn-f-lm

BTL5

Magnetostrictive linear position sensor
Generation 5

a interface

T = Profibus

b Operating voltage

1 = 20 ... 28 V

c + d Interface characteristic 1 + 2

10 = 1 magnet (1 - 4 magnets can be set)

Mnnnn Nominal length (4-position)

M0500 = metric in mm
(M0050...M4000)

f Style

P = Profile

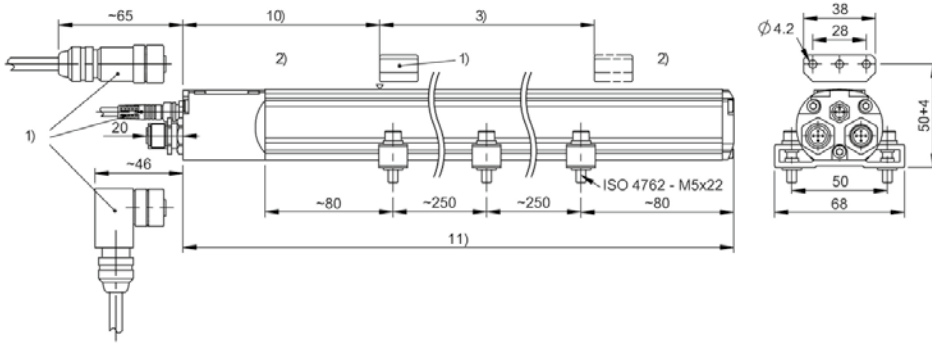
l Connection type

S = Connector

m Connection type characteristic

103 = 1 x M8x1 connector with 3 pins
+ 1 x M12x1 connector with 5 pins
+ 1 x M12x1 female with 5 pins

BTL5-Txxx-Mxxxx-P-S103



- 1) not included in scope of delivery
- 2) Non-usable area
- 3) Nominal length = Measuring length
- 10) Null point
- 11) Installation length



	BTL6 -A1- SERIES - ANALOG VOLTAGE
Interface	Analog, voltage
Measuring length	50...4012 mm
Repeat accuracy	—
Linearity deviation	nmm = 0050...0500: $\pm 200 \mu\text{m}$, nmm > 500: $\pm 0.04\%$ FS
Operating voltage U_b	—
Ambient temperature	0...70 °C
Mechanical configuration	Round profile, $\varnothing 30$ mm
Housing material	Aluminum, Anodized
IP rating	IP67 with connector
Approval/Conformity	CE cULus EAC WEEE
Ex category	—

BTL6-abcd-Mnnnn-f-lm

BTL6

Magnetostrictive linear position sensor
Generation 6

a interface

A = Voltage output 0 ... 10 V
G = voltage output -10 ... 10 V

b Operating voltage

1 = 20 ... 28 V
3 = 20 ... 28 V (if c + d = 10)
3 = 18 ... 30 V (if c + d = 01)

c + d Interface characteristic 1 + 2

01 = 2 outputs, each 1 x rising/falling
settable/programmable
10 = 2 outputs, 1 x rising/1x falling

Mnnnn Nominal length (4-position)

M0500 = metric in mm
(M0050...M4012 when c+d = 10)
(M0050...M1512 when c+d = 01)

f Style

A1 = Round profile

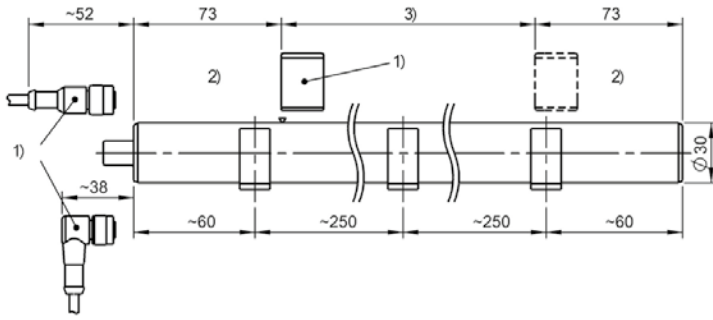
l Connection type

S = Connector

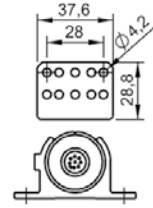
m Connection type characteristic 1

115 = M12x1 connector with 8 pins

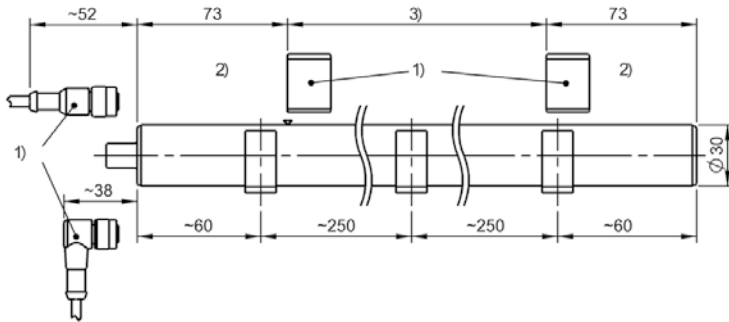
BTL6-A110-Mxxxx-A1-S115



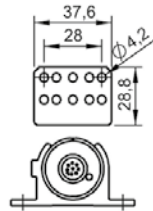
- 1) not included in scope of delivery
- 2) Non-usable area
- 3) Nominal length = Measuring length



BTL6-G301-Mxxxx-A1-S115



- 1) not included in scope of delivery
- 2) Non-usable area
- 3) Nominal length = Measuring length





	BTL6 -A1- SERIES - DIGITAL
Interface	Digital pulse
Measuring length	50...4012 mm
Repeat accuracy	≤ 10 µm
Linearity deviation	nmm = 0050...0500: ± 200 µm nmm > 500: ± 0.04% FS
Operating voltage Ub	20...28 VDC
Ambient temperature	0...70 °C
Mechanical configuration	Round profile, Ø30 mm
Housing material	Aluminum, Anodized
IP rating	IP67 with connector
Approval/Conformity	CE cULus EAC WEEE
Ex category	—

BTL6-abcd-Mnnnn-f-lm

BTL6

Magnetostrictive linear position sensor
Generation 6

a interface

P = Digital pulse interface

b Operating voltage

1 = 20 ... 28 V

c Interface characteristic 1

1 = Digital start/stop interface

d Interface characteristic 2

0 = No communication interface
1 = DPI/IP communication interface

Mnnnn Nominal length (4-position)

M0500 = metric in mm
(M0050...M4012)

f Style

A1 = Round profile

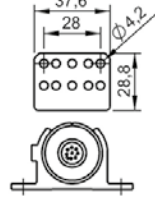
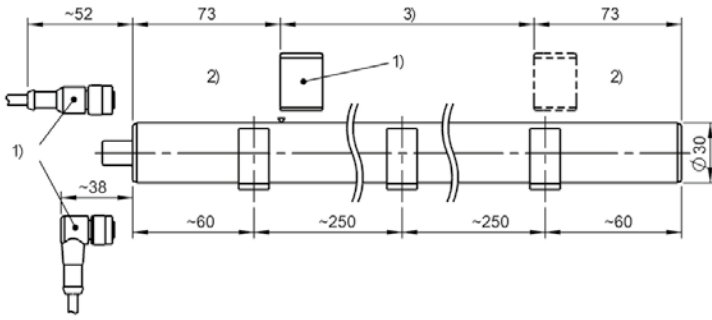
l Connection type

S = Connector

m Connection type characteristic 1

115 = M12x1 connector with 8 pins

BTL6-P11x-Mxxxx-A1-S115



- 1) not included in scope of delivery
- 2) Non-usable area
- 3) Nominal length = Measuring length



	BTL6 -A1- SERIES - ETHERCAT
Interface	EtherCAT
Measuring length	50...4012 mm
Repeat accuracy	≤ 30 µm
Linearity deviation	nmm = 0050...0500: ± 200 µm, nmm > 500: ± 0.04% FS
Operating voltage Ub	20...28 VDC
Ambient temperature	0...70 °C
Mechanical configuration	Round profile, Ø30 mm
Housing material	Aluminum, Anodized
IP rating	IP67 with connector
Approval/Conformity	CE cULus EAC WEEE
Ex category	—

BTL6-abcd-Mnnnn-f-lm

BTL6

Magnetostrictive linear position sensor
Generation 6

a interface

V = EtherNet

b Operating voltage

1 = 20 ... 28 V

c Interface characteristic 1

1 = 1 magnet
2 = 2 magnets

d Interface characteristic 2

E = EtherCAT

Mnnnn Nominal length (4-position)

M0500 = metric in mm
(M0050...M4012)

f Style

A1 = Round profile

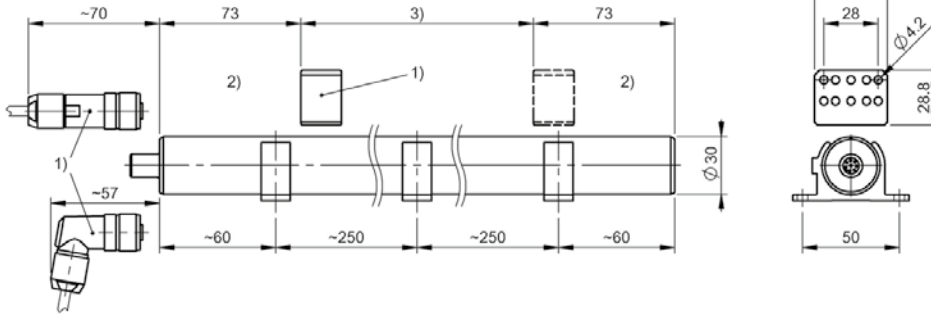
l Connection type

S = Connector

m Connection type characteristic 1

115 = M12x1 connector with 8 pins

BTL6-V1xE-Mxxxx-A1-S115





	BTL6 -A1- SERIES - VARAN
Interface	Varan
Measuring length	50...4012 mm
Repeat accuracy	≤ 30 µm
Linearity deviation	nmm = 0050...0500: ± 200 µm nmm > 0500: ± 0.04% FS
Operating voltage Ub	20...28 VDC
Ambient temperature	0...70 °C
Mechanical configuration	Round profile, Ø30 mm
Housing material	Aluminum, Anodized
IP rating	IP67 with connector
Approval/Conformity	CE cULus EAC WEEE
Ex category	—

BTL6-abcd-Mnnnn-f-lm

BTL6

Magnetostrictive linear position sensor
Generation 6

a interface

V = EtherNet

b Operating voltage

1 = 20 ... 28 V

c Interface characteristic 1

1 = 1 magnet

d Interface characteristic 2

V = Varan

Mnnnn Nominal length (4-position)

M0500 = metric in mm
(M0050...M4012)

f Style

A1 = Round profile

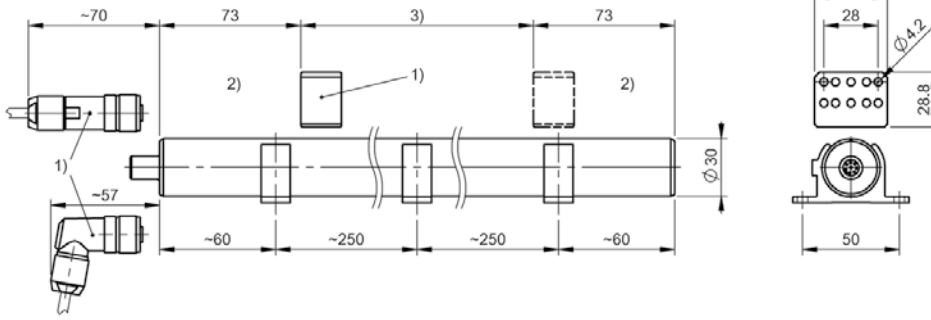
l Connection type

S = Connector

m Connection type characteristic 1

115 = M12x1 connector with 8 pins

BTL6-V11V-Mxxxx-A1-S115



- 1) not included in scope of delivery
- 2) Non-usable area
- 3) Nominal length = Measuring length



	BTL6 -PF- SERIES - ANALOG VOLTAGE
Interface	Analog, voltage
Measuring length	50...5080 mm
Repeat accuracy	—
Linearity deviation	nmm = 0050...0500: ± 200 µm nmm > 0500: ± 0.04% FS
Operating voltage Ub	10...30 VDC
Ambient temperature	-25...70 °C
Mechanical configuration	Flat profile - 21 x 35 mm
Housing material	Aluminum, Anodized
IP rating	IP67 with connector
Approval/Conformity	CE cULus EAC WEEE
Ex category	—

BTL6-abcd-Mnnnn-f-lm

BTL6

Magnetostrictive linear position sensor
Generation 6

a interface

A = Voltage output 0 ... 10 V
G = voltage output -10 ... 10 V

b Operating voltage

5 = 10 ... 30 V

c + d Interface characteristic 1 + 2

00 = 1 output, rising

Mnnnn Nominal length (4-position)

M0500 = metric in mm
(M0050...M5080)

f Style

PF = Flat profile

l Connection type

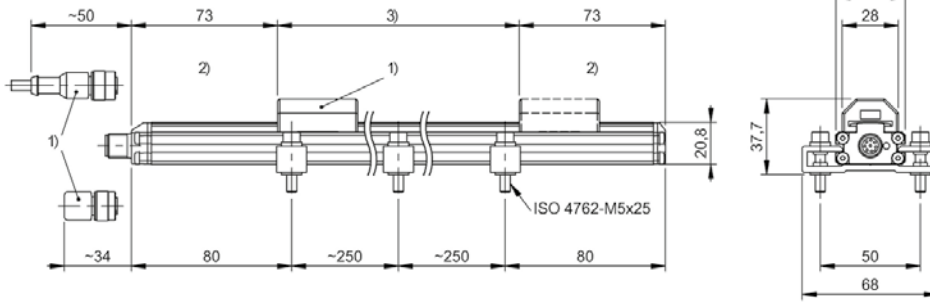
S = Connector

m Connection type characteristic 1

115 = M12x1 connector with 8 pins

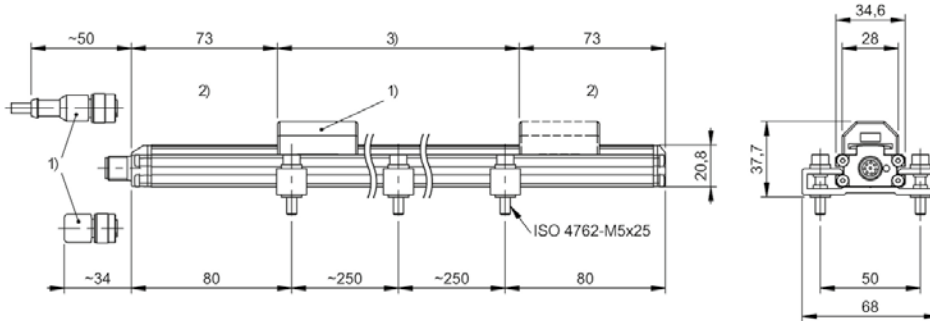
BTL6-A500-Mxxxx-PF-S115

- 1) not included in scope of delivery
- 2) Non-usable area
- 3) Nominal length = Measuring length



BTL6-G500-Mxxxx-PF-S115

- 1) not included in scope of delivery
- 2) Non-usable area
- 3) Nominal length = Measuring length





	BTL6 -PF- SERIES - ANALOG CURRENT
Interface	Analog, current
Measuring length	50...5080 mm
Repeat accuracy	—
Linearity deviation	nmm = 0050...0500: ± 200 µm nmm > 0500: ± 0.04% FS
Operating voltage Ub	10...30 VDC
Ambient temperature	-25...70 °C
Mechanical configuration	Flat profile - 21 x 35 mm
Housing material	Aluminum, Anodized
IP rating	IP67 with connector
Approval/Conformity	CE cULus EAC WEEE
Ex category	—

BTL6-abcd-Mnnnn-f-lm

BTL6

Magnetostrictive linear position sensor
Generation 6

a interface

C = Current output 0.1 ... 20 mA
E = Current output 4 ... 20 mA

b Operating voltage

5 = 10 ... 30 V

c + d Interface characteristic 1 + 2

00 = 1 output, rising

Mnnnn Nominal length (4-position)

M0500 = metric in mm
(M0050...M5080)

f Style

PF = Flat profile

l Connection type

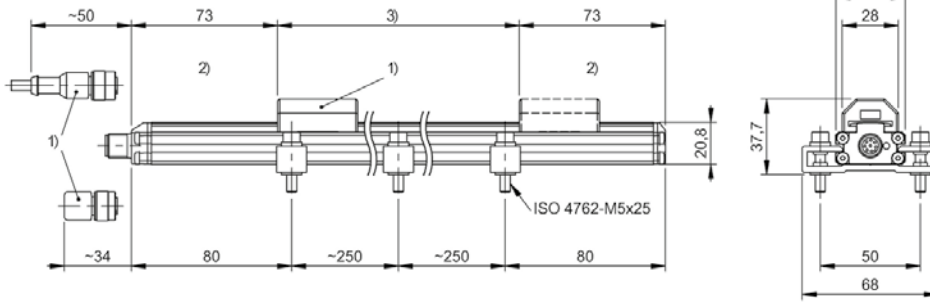
S = Connector

m Connection type characteristic 1

115 = M12x1 connector with 8 pins

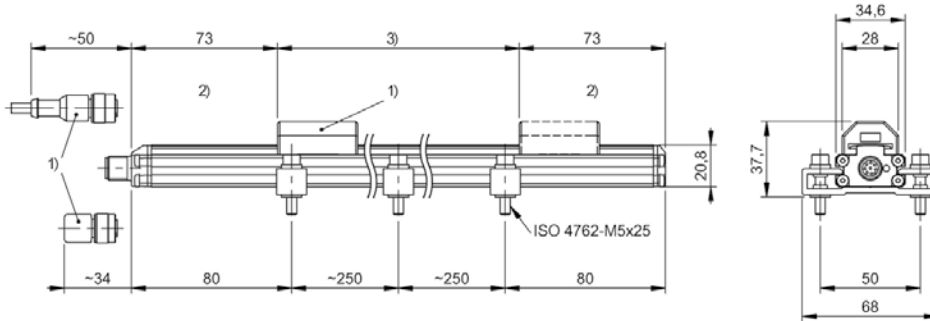
BTL6-E500-Mxxxx-PF-S115

- 1) not included in scope of delivery
- 2) Non-usable area
- 3) Nominal length = Measuring length



BTL6-C500-Mxxxx-PF-S115

- 1) not included in scope of delivery
- 2) Non-usable area
- 3) Nominal length = Measuring length





	BTL6 -PF- SERIES - IO-LINK
Interface	IO-Link
Measuring length	50...4572 mm
Repeat accuracy	≤ 30 µm
Linearity deviation	nmm = 0050...0500: ± 200 µm, nmm > 0500: ± 0.04% FS
Operating voltage Ub	18...30 VDC
Ambient temperature	-25...70 °C
Mechanical configuration	Flat profile - 21 x 35 mm
Housing material	Aluminum, Anodized
IP rating	IP67 with connector
Approval/Conformity	CE cULus EAC WEEE
Ex category	—

BTL6-abcd-Mnnnn-f-lm

BTL6

Magnetostrictive linear position sensor
Generation 6

a interface

U = IO-Link

b Operating voltage

1 = 18 ... 30 V

c + d Interface characteristic 1 + 2

10 = 1 magnet

Mnnnn Nominal length (4-position)

M0500 = metric in mm
(M0050...M4572)

f Style

PF = Flat profile

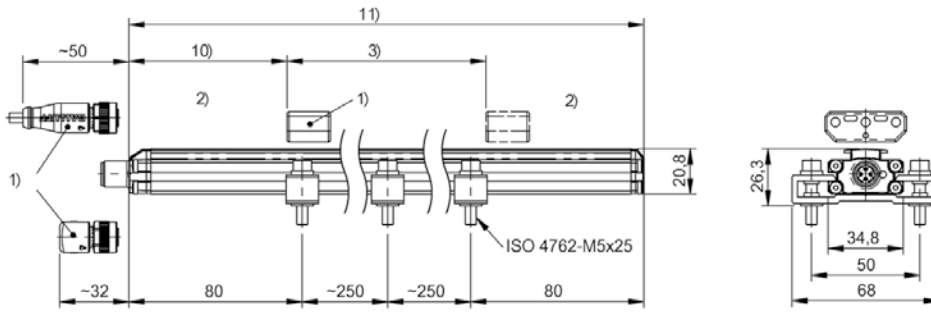
l Connection type

S = Connector

m Connection type characteristic 1

4 = M12x1 connector with 4 pins

BTL6-U110-Mxxxx-PF-S4



- 1) not included in scope of delivery
- 2) Non-usable area
- 3) Nominal length = Measuring length
- 10) Null point
- 11) Installation length



	BTL6 -PF- SERIES - VARAN
Interface	Varan
Measuring length	50...4572 mm
Repeat accuracy	≤ 10 µm
Linearity deviation	nmm = 0050...0500: ± 150 µm nmm > 0500: ± 0.03% FS
Operating voltage Ub	10...30 VDC
Ambient temperature	0...85 °C
Mechanical configuration	Flat profile - 21 x 35 mm
Housing material	Aluminum, Anodized
IP rating	IP67 with connector
Approval/Conformity	CE cULus EAC WEEE
Ex category	—

BTL6-abcd-Mnnnn-f-lm

BTL6

Magnetostrictive linear position sensor
Generation 6

a interface

V = EtherNet

b Operating voltage

5 = 10 ... 30 V

c Interface characteristic 1

1 = Device profile length measuring systems

5 = Device Profile EUROMAP 75

d Interface characteristic 2

V = Varan

Mnnnn Nominal length (4-position)

M0500 = metric in mm

(M0050...M4572)

f Style

PF = Flat profile

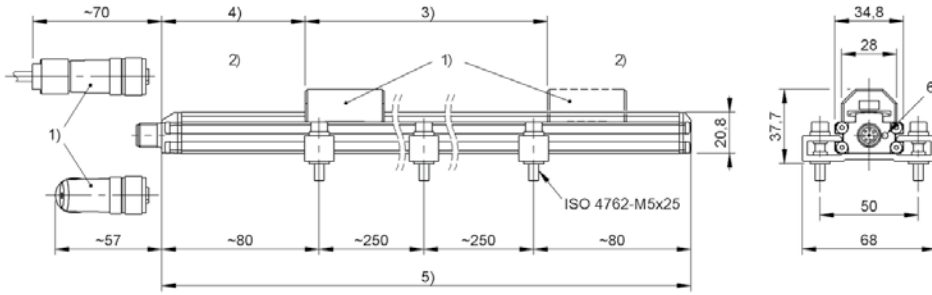
l Connection type

S = Connector

m Connection type characteristic 1

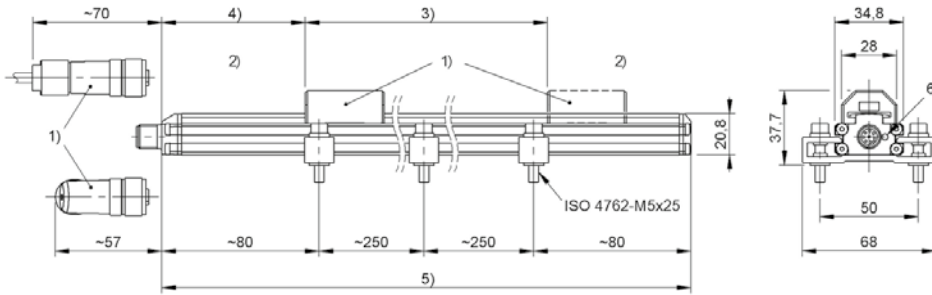
115 = M12x1 connector with 8 pins

BTL6-V55V-Mxxxx-PF-S115



- 1) not included in scope of delivery
- 2) Non-usable area
- 3) Nominal length = Measuring length
- 4) Null point
- 5) Installation length
- 6) LED function indicator

BTL6-V51V-Mxxxx-PF-S115



- 1) not included in scope of delivery
- 2) Non-usable area
- 3) Nominal length = Measuring length
- 4) Null point
- 5) Installation length
- 6) LED function indicator



	BTL7 -A/B- SERIES - ANALOG VOLTAGE
Interface	Analog, voltage
Measuring length	25...7620 mm
Repeat accuracy	± 10 µm
Linearity deviation	n n n n = 0050...0500: ± 50 µm n n n n = 0501...5500: ± 0.01% FS n n n n > 5500: ± 0.02% FS
Operating voltage U_b	10...30 VDC
Ambient temperature	-40...85 °C
Mechanical configuration	Fastening M18 threads
Housing material	Aluminum, Anodized
IP rating	I = S AND m ≠ 140: IP67 with connector I = S AND m = 140: IP65 with connector I = KA, FA: IP68
Approval/Conformity	n n n n ≤ 500: I = S, KA: CE + cULus + EAC + GL + WEEE I = FA: CE + EAC + GL + WEEE n n n n > 500: I = S, KA: CE + cULus + EAC + WEEE I = FA: CE + EAC + WEEE
Ex category	—

BTL7-abcd-Mnnnn-fg-Im

BTL7

Magnetostrictive linear position sensor
Generation 7

a interface

A = Voltage output 0 ... 10 V
G = voltage output -10 ... 10 V

b Operating voltage

1 = 20 ... 28 V
5 = 10 ... 30 V

c + d Interface characteristic 1 + 2

01 = 2 outputs, each 1 x rising/falling
settable/programmable
10 = 2 outputs, each 1 x rising/falling

Mnnnn Nominal length (4-position)

M0500 = metric in mm
(M0025...M1016: for rod diameter
8 mm)
(M0025...M7620: for rod diameter
10.2 mm)

f Style

A = Mounting threads M18x1.5,
for flat seal
B = Mounting threads M18x1.5,
for O-Ring

g Form factor characteristic

8 = Rod diameter 8 mm
- = Rod diameter 10.2 mm

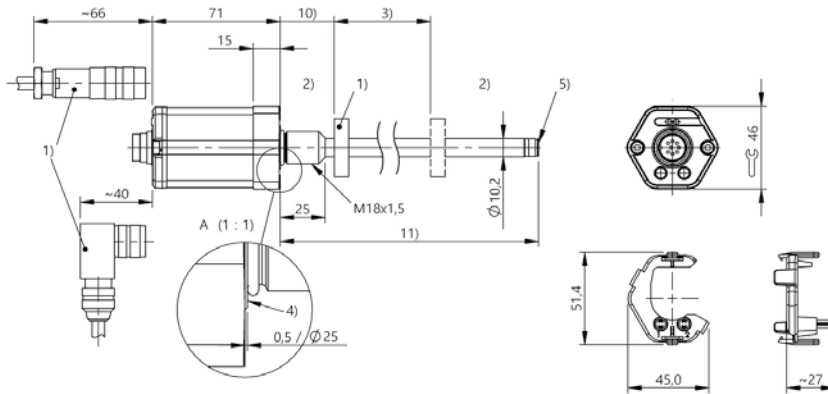
I Connection type

S = Connector
KA = Cable (PUR)
FA = Cable (PTFE)

m Connection type characteristic 1

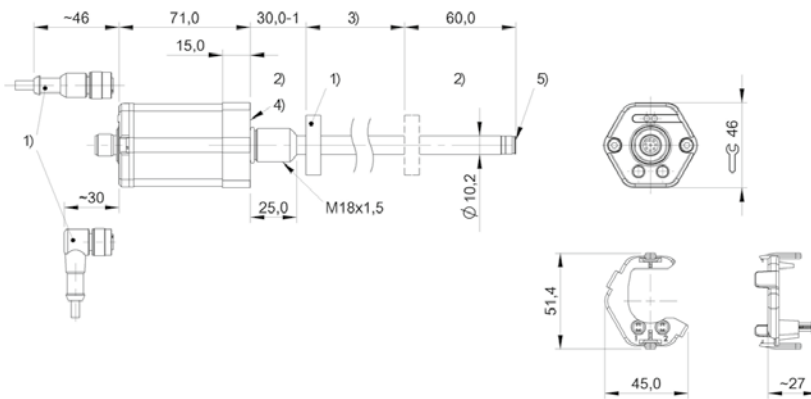
for connector:
32 = M16x0.75 connector with 8 pins
115 = M12x1 connector with 8 pins
135 = M16x1 connector with 6 pins
140 = MS, 10-pin
for cable (length in meters):
02, 05, 10, 15, 20, 30

BTL7-A501-Mxxxx-B-S32



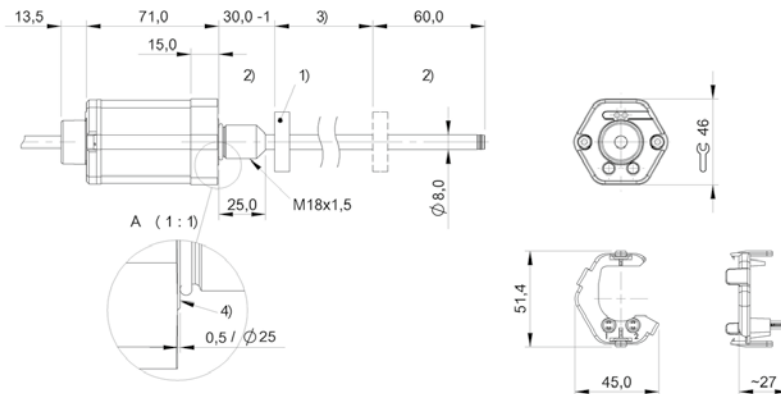
- 1) not included in scope of delivery
- 2) Non-usable area
- 3) Nominal length = Measuring length
- 4) Mounting surface
- 5) Internal threads M4x4/6 deep
- 10) Null point
- 11) Installation length

BTL7-G510-Mxxxx-A-S115



- 1) not included in scope of delivery
- 2) Non-usable area
- 3) Nominal length = Measuring length
- 4) Mounting surface
- 5) Internal threads M4x4/6 deep

BTL7-A510-Mxxxx-B8-KAxx



- 1) not included in scope of delivery
- 2) Non-usable area
- 3) Nominal length = Measuring length
- 4) Mounting surface



	BTL7 -A/B- SERIES - ANALOG CURRENT
Interface	Analog, current
Measuring length	25...7620 mm
Repeat accuracy	± 5 µm
Linearity deviation	nxxx = 0050...0500: ± 50 µm nxxx = 0501...5500: ± 0.01% FS nxxx > 5500: ± 0.02% FS
Operating voltage Ub	10...30 VDC
Ambient temperature	-40...85 °C
Mechanical configuration	Fastening M18 threads
Housing material	Aluminum, Anodized
IP rating	I = S AND m ≠ 140: IP67 with connector I = S AND m = 140: IP65 with connector I = KA, FA: IP68
Approval/Conformity	nxxx ≤ 500: I = S, KA: CE + cULus + EAC + GL + WEEE I = FA: CE + EAC + GL + WEEE nxxx > 500: I = S, KA: CE + cULus + EAC + WEEE I = FA: CE + EAC + WEEE
Ex category	—

BTL7-abcd-Mnnnn-fg-Im

BTL7

Magnetostrictive linear position sensor
Generation 7

a interface

C = Current output 0 ... 20 mA
E = Current output 4 ... 20 mA

b Operating voltage

5 = 10 ... 30 V

c + d Interface characteristic 1 + 2

01 = 2 outputs, each 1 x rising/falling
settable/programmable
00 = 1 output, rising
70 = 1 output, falling

Mnnnn Nominal length (4-position)

M0500 = metric in mm
(M0025...M1016: for rod diameter
8 mm)
(M0025...M7620: for rod diameter
10.2 mm)

f Style

A = Mounting threads M18x1.5,
for flat seal
B = Mounting threads M18x1.5,
for O-Ring

g Form factor characteristic

8 = Rod diameter 8 mm
- = Rod diameter 10.2 mm

I Connection type

S = Connector
KA = Cable (PUR)
FA = Cable (PTFE)

m Connection type characteristic 1

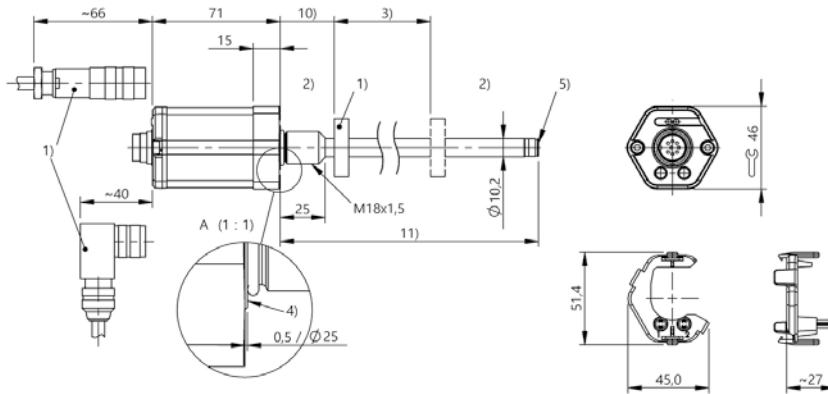
for connector:

32 = M16x0.75 connector with 8 pins
115 = M12x1 connector with 8 pins
135 = M16x1 connector with 6 pins
140 = MS, 10-pin

for cable (length in meters):

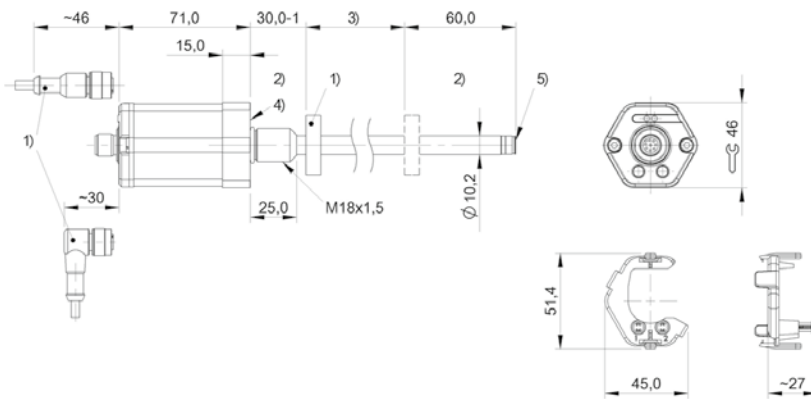
02, 05, 10, 15, 20, 50, 100

BTL7-E501-Mxxxx-B-S32



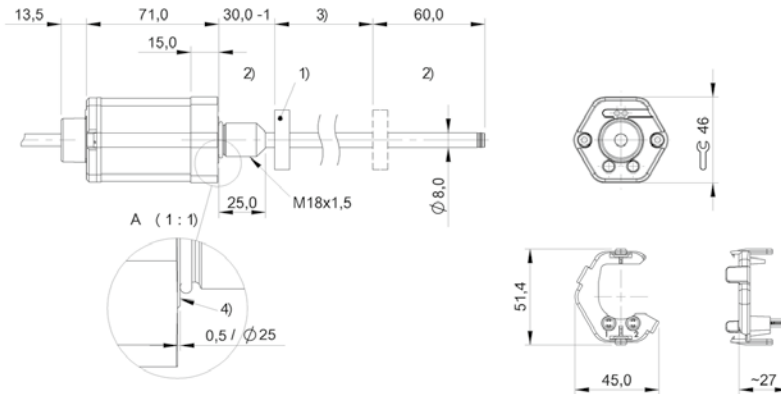
- 1) not included in scope of delivery
- 2) Non-usable area
- 3) Nominal length = Measuring length
- 4) Mounting surface
- 5) Internal threads M4x4/6 deep
- 10) Null point
- 11) Installation length

BTL7-C500-Mxxxx-A-S115



- 1) not included in scope of delivery
- 2) Non-usable area
- 3) Nominal length = Measuring length
- 4) Mounting surface
- 5) Internal threads M4x4/6 deep

BTL7-E570-Mxxxx-B8-KAxx



- 1) not included in scope of delivery
- 2) Non-usable area
- 3) Nominal length = Measuring length
- 4) Mounting surface



	BTL7 -A/B- SERIES - DIGITAL
Interface	Digital pulse
Measuring length	25...7620 mm
Repeat accuracy	$\leq \pm 5 \mu\text{m}$
Linearity deviation	nnnn = 0025...5500: $\pm 50 \mu\text{m}$ nnnn > 5500: $\pm 0.02\%$ FS
Operating voltage U_b	10...30 VDC
Ambient temperature	-40...85 °C
Mechanical configuration	Fastening M18 threads
Housing material	Aluminum, Anodized
IP rating	I = S: IP67 with connector I = KA, FA: IP68
Approval/Conformity	I = S, KA: CE + cULus + EAC + WEEE I = FA: CE + EAC + WEEE
Ex category	—

BTL7-abcd-Mnnnn-fg-lm

BTL7

Magnetostrictive linear position sensor
Generation 7

a Interface

P = Digital pulse interface

b Operating voltage

5 = 10 ... 30 V

c Interface characteristic 1

1 = Digital start/stop interface

d Interface characteristic 2

1 = DPI/IP communication interface

Mnnnn Nominal length (4-position)

M0500 = metric in mm
(M0025...M1016: for rod diameter
8 mm)
(M0025...M7620: for rod diameter
10.2 mm)

f Style

A = Mounting threads M18x1.5,
for flat seal
B = Mounting threads M18x1.5,
for O-Ring

g Form factor characteristic

8 = Rod diameter 8 mm
- = Rod diameter 10.2 mm

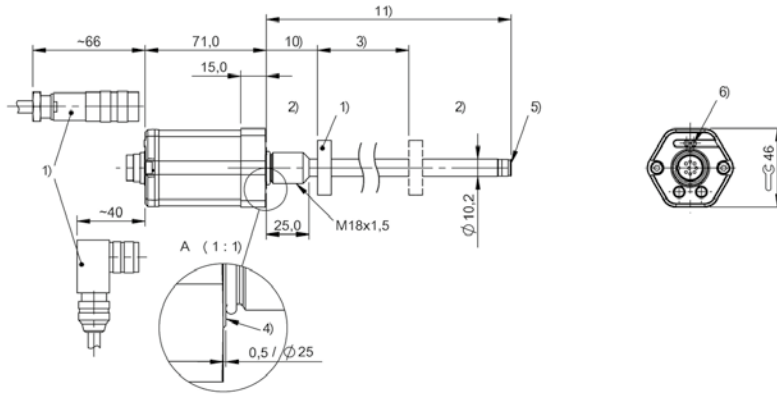
I Connection type

S = Connector
KA = Cable (PUR)
FA = Cable (PTFE)

m Connection type characteristic 1

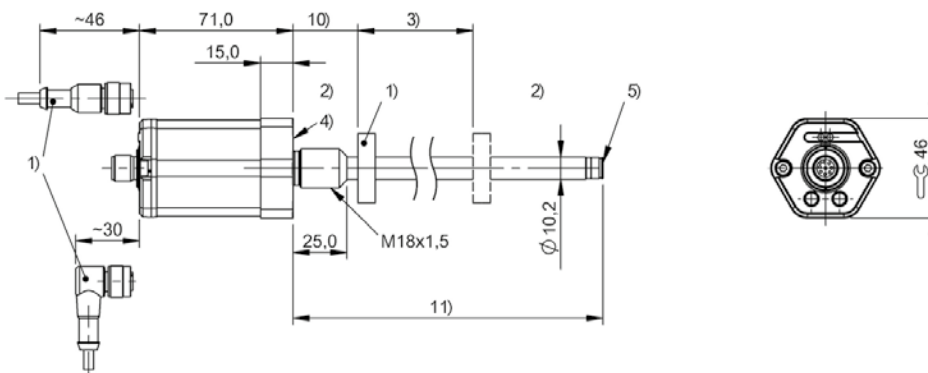
for connector:
32 = M16x0.75 connector with 8 pins
115 = M12x1 connector with 8 pins
135 = M16x0.75 connector with 6 pins
for cable (length in meters):
02, 05, 10, 15, 20, 30, 50, 100

BTL7-P511-Mxxxx-B-S32



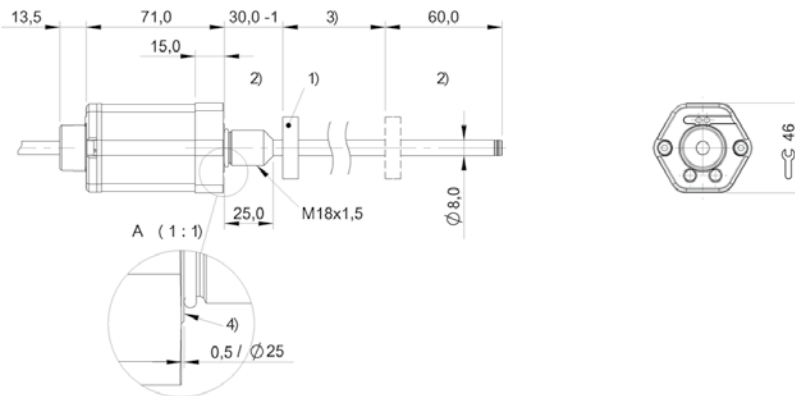
- 1) not included in scope of delivery
- 2) Non-usable area
- 3) Nominal length = Measuring length
- 4) Mounting surface
- 5) Internal threads M4x4/6 deep
- 6) LED function indicator
- 10) Null point
- 11) Installation length

BTL7-P511-Mxxxx-A-S115



- 1) not included in scope of delivery
- 2) Non-usable area
- 3) Nominal length = Measuring length
- 4) Mounting surface
- 5) Internal threads M4x4/6 deep
- 10) Null point
- 11) Installation length

BTL7-P511-Mxxxx-B8-KAxx



- 1) not included in scope of delivery
- 2) Non-usable area
- 3) Nominal length = Measuring length
- 4) Mounting surface



	BTL7 -A/B- SERIES - SSI
Interface	SSI
Measuring length	25...7620 mm
Repeat accuracy	$\leq \pm 5 \mu\text{m}$
Linearity deviation	d = 1, 2, 3, 7: nnnn = 50...5500: $\pm 30\mu\text{m}$ d = 4, 5, 6, 8 nnnn = 50...5500: $\pm 2 \text{ LSB}$ nnnn > 5500: $\pm 0.02\% \text{ FS}$
Operating voltage U_b	10...30 VDC
Ambient temperature	-40...85 °C
Mechanical configuration	Fastening M18 threads
Housing material	Aluminum, Anodized
IP rating	I = S AND m \neq 140: IP67 with connector I = S AND m = 140: IP65 with connector I = KA, FA: IP68
Approval/Conformity	I = S, KA: CE + cULus + EAC + WEEE I = FA: CE + EAC + WEEE
Ex category	—

BTL7-abcde-Mnnnn-fg-Im

BTL7

Magnetostrictive linear position sensor
Generation 7

a interface

S = SSI

b Operating voltage

5 = 10 ... 30 V

c Interface characteristic 1

0 = 24 bits, binary, rising
1 = 24 bits, gray, rising
2 = 24 bits, binary, falling
3 = 24 bits, gray, falling
6 = 25 bits, binary, rising
7 = 25 bits, gray, rising
8 = 25 bits, binary, falling
9 = 25 bits, gray, falling
A = 26 bits, binary, rising
B = 26 bits, gray, rising
C = 26 bits, binary, falling
D = 26 bits, gray, falling

d Interface characteristic 2

1 = 1 μm
2 = 5 μm
3 = 10 μm
4 = 20 μm
5 = 40 μm
6 = 100 μm
7 = 2 μm
8 = 50 μm

e Interface characteristic 3

B = Synchronous mode
- = Asynchronous mode

Mnnnn Nominal length (4-position)

M0500 = metric in mm
(M0025...M1016: for rod diameter
8 mm)
(M0025...M7620: for rod diameter
10.2 mm)

f Style

A = Mounting threads M18x1.5,
for flat seal
B = Mounting threads M18x1.5,
for O-Ring

g Form factor characteristic

8 = Rod diameter 8 mm
- = Rod diameter 10.2 mm

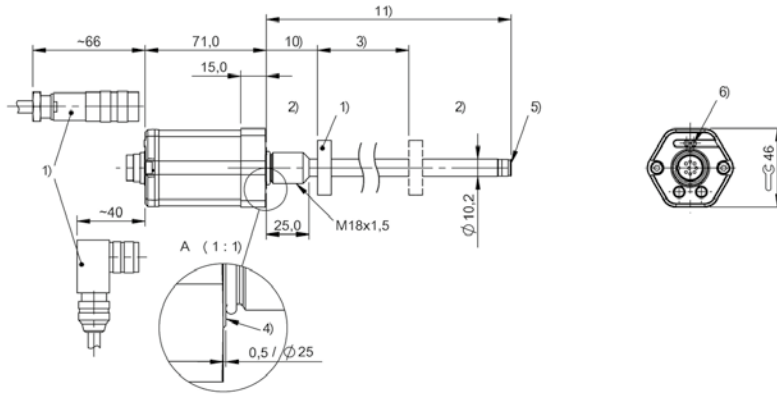
I Connection type

S = Connector
KA = Cable (PUR)
FA = Cable (PTFE)

m Connection type characteristic 1

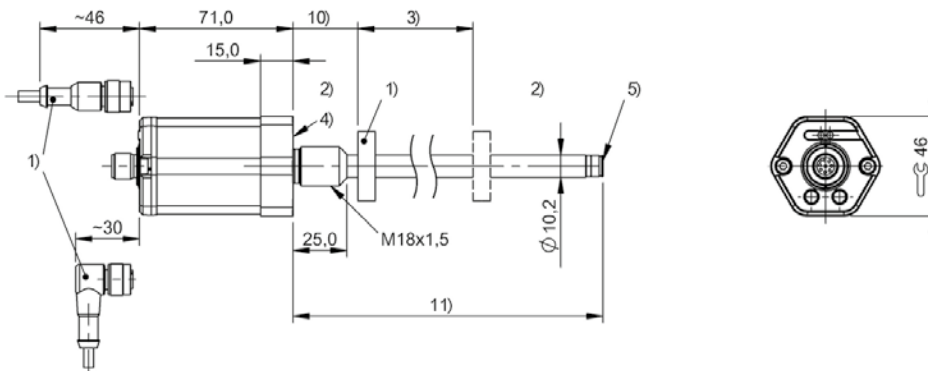
for connector:
32 = M16x0.75 connector with 8 pins
115 = M12x1 connector with 8 pins
140 = MS, 10-pin
147 = M16x0.75 connector with 7 pins
for cable (length in meters):
02, 05, 10, 15, 20, 30, 50, 100

BTL7-S510x-Mxxxx-B-S32



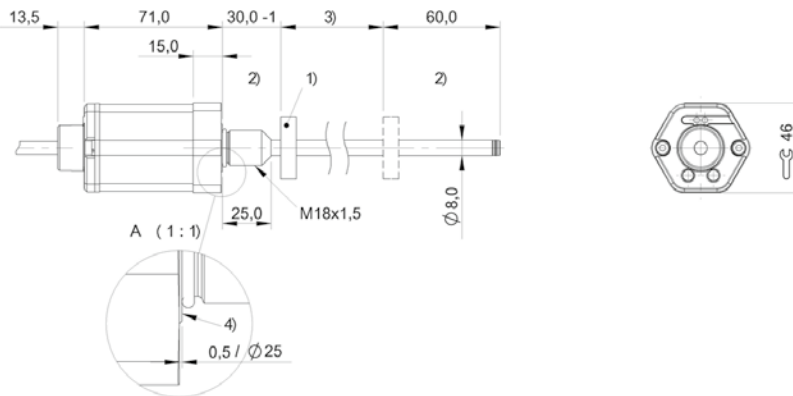
- 1) not included in scope of delivery
- 2) Non-usable area
- 3) Nominal length = Measuring length
- 4) Mounting surface
- 5) Internal threads M4x4/6 deep
- 6) LED function indicator
- 10) Null point
- 11) Installation length

BTL7-S5xxx-Mxxxx-A-S115



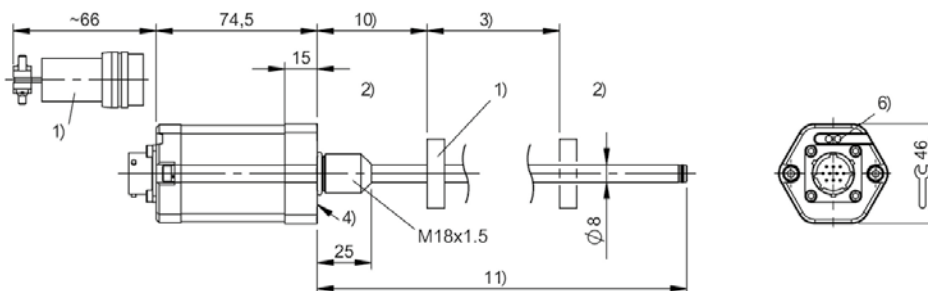
- 1) not included in scope of delivery
- 2) Non-usable area
- 3) Nominal length = Measuring length
- 4) Mounting surface
- 5) Internal threads M4x4/6 deep
- 10) Null point
- 11) Installation length

BTL7-S5xxx-Mxxxx-B8-KAxx



- 1) not included in scope of delivery
- 2) Non-usable area
- 3) Nominal length = Measuring length
- 4) Mounting surface

BTL7-S5xxx-Mxxxx-A8-S140



- 1) not included in scope of delivery
- 2) Non-usable area
- 3) Nominal length = Measuring length
- 4) Mounting surface
- 5) Internal threads M4x4/6 deep
- 6) LED function indicator
- 10) Null point
- 11) Installation length



	BTL6 -A/B- SERIES - IO-LINK
Interface	IO-Link
Measuring length	25...4572 mm
Repeat accuracy	≤ 30 μm
Linearity deviation	± 50 μm
Operating voltage U_b	18...30 VDC
Ambient temperature	-40...85 °C
Mechanical configuration	Fastening M18 threads
Housing material	Aluminum, Anodized
IP rating	IP67 with connector
Approval/Conformity	CE cULus EAC WEEE
Ex category	—

BTL6-abcd-Mnnnn-f-lm

BTL6

Magnetostrictive linear position sensor
Generation 6

a interface

U = IO-Link

b Operating voltage

1 = 18 ... 30 V

c Interface characteristic 1

0 = Flexible Magnet Mode

d Interface characteristic 2

1 = COM3, 8 bytes inputs

Mnnnn Nominal length (4-position)

M0500 = metric in mm
(M0025...M4572)

f Style

A = Mounting threads M18x1.5,
for flat seal
B = Mounting threads M18x1.5,
for O-Ring

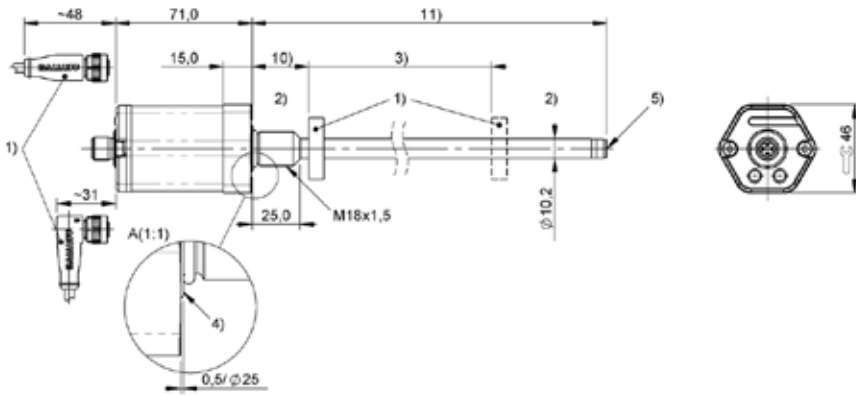
l Connection type

S = Connector

m Connection type characteristic 1

4 = M12x1 connector with 4 pins

BTL6-U101-Mxxxx-B-S4



- 1) not included in scope of delivery
- 2) Non-usable area
- 3) Nominal length = Measuring length
- 4) Mounting surface
- 5) Internal threads M4x4/6 deep
- 10) Null point
- 11) Installation length



	BTL5 -A/B- SERIES - CANOPEN
Interface	CANopen
Measuring length	25...4000 mm
Repeat accuracy	± 1 LSB
Linearity deviation	±30 µm
Operating voltage Ub	20...28 VDC
Ambient temperature	-40...85 °C
Mechanical configuration	Fastening M18 threads
Housing material	Aluminum, Anodized
IP rating	IP67 with connector
Approval/Conformity	CE cULus EAC WEEE
Ex category	—

BTL5-abcd-Mnnnn-fg-lm

BTL5

Magnetostrictive linear position sensor
Generation 5

a interface

H = CANopen

b Operating voltage

1 = 20 ... 28 V

c Interface characteristic 1

1 = 1 magnet
2 = 2 magnets
3 = 4 magnets

d Interface characteristic 2

Data transmission rate:

0 = 1 MBaud
1 = 800 MBaud
2 = 500 kBaud
3 = 250 kBaud
4 = 125 kBaud
5 = 100 kBaud
6 = 50 kBaud
7 = 25 kBaud
8 = 10 kBaud

Mnnnn Nominal length (4-position)

M0500 = metric in mm
(M0050...M4000)

f Style

A = Mounting threads M18x1.5,
for flat seal
B = Mounting threads M18x1.5,
for O-Ring

g Form factor characteristic

8 = Rod diameter 8 mm
- = Rod diameter 10.2 mm

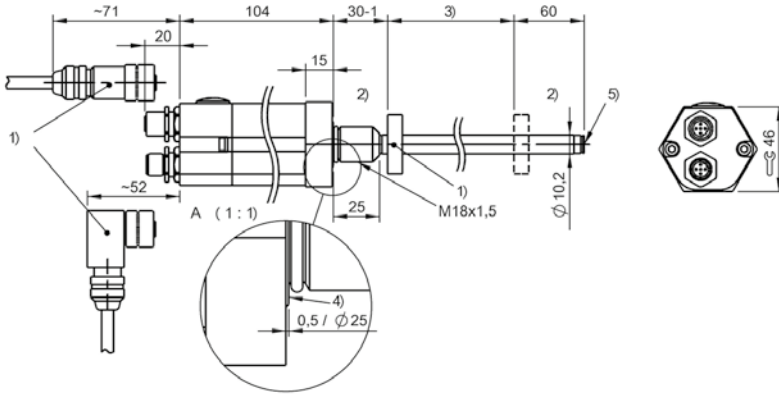
l Connection type

S = Connector

m Connection type characteristic

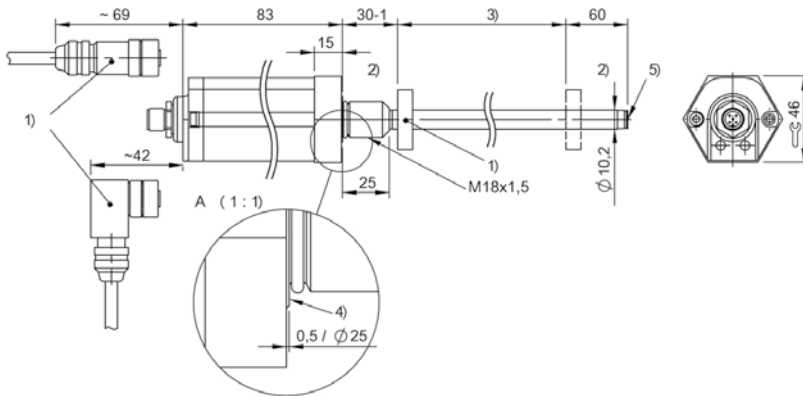
92 = 1 x M12x1 connector with 5 pins
94 = 1 x M12x1 connector with 5 pins +
1 x M12x1 female with 5 pins

BTL5-Hxxx-Mxxxx-B-S94



- 1) not included in scope of delivery
- 2) Non-usable area
- 3) Nominal length = Measuring length
- 4) Mounting surface
- 5) Internal threads M4x4/6 deep

BTL5-Hxxx-Mxxxx-B-S92



- 1) not included in scope of delivery
- 2) Non-usable area
- 3) Nominal length = Measuring length
- 4) Mounting surface
- 5) Internal threads M4x4/6 deep



	BTL7 -A/B- SERIES - PROFINET
Interface	Profinet
Measuring length	25...7620 mm
Repeat accuracy	$\leq \pm 5 \mu\text{m}$
Linearity deviation	nnnn = 0050...5500: $\pm 30 \mu\text{m}$ nnnn > 5500: $\pm 0.02\%$ FS
Operating voltage U_b	10...30 VDC
Ambient temperature	-40...85 °C
Mechanical configuration	Fastening M18 threads
Housing material	Aluminum, Anodized
IP rating	IP67 with connector
Approval/Conformity	CE cULus EAC WEEE
Ex category	—

BTL7-abcd-Mnnnn-fg-lm

BTL7

Magnetostrictive linear position sensor
Generation 7

a Interface

V = EtherNet

b Operating voltage

5 = 10 ... 30 V

c Interface characteristic 1

0 = Flexible Magnet Mode
(1 - 16 magnets)

d Interface characteristic 2

T = Profinet

Mnnnn Nominal length (4-position)

M0500 = metric in mm
(M0025...M1016: for rod diameter
8 mm)
(M0025...M7620: for rod diameter
10.2 mm)

f Style

A = Mounting threads M18x1.5, for flat
seal

B = Mounting threads M18x1.5, for
O-Ring

g Form factor characteristic

8 = Rod diameter 8 mm
- = Rod diameter 10.2 mm

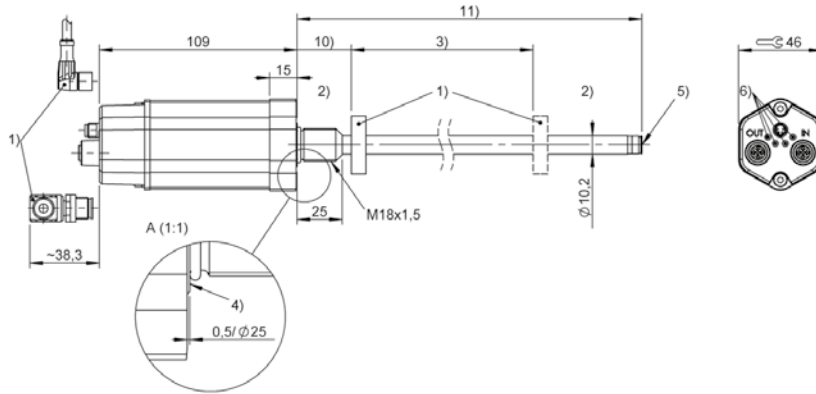
l Connection type

C = Connector

m Connection type characteristic

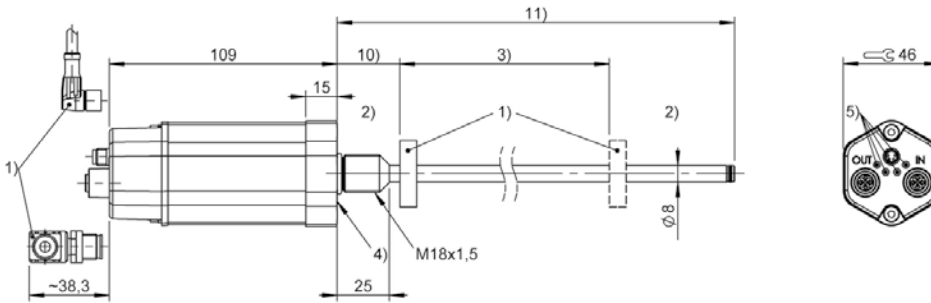
003 = 1 x M8x1 with 4 pins + 2 x M12x1
with 4 pins

BTL7-V50T-Mxxxx-B-C003



- 1) not included in scope of delivery
- 2) Non-usable area
- 3) Nominal length = Measuring length
- 4) Mounting surface
- 5) Internal threads M4x4/6 deep
- 6) LED function indicator
- 10) Null point
- 11) Installation length

BTL7-V50T-Mxxxx-A8-C003



- 1) not included in scope of delivery
- 2) Non-usable area
- 3) Nominal length = Measuring length
- 4) Mounting surface
- 5) LED function indicator
- 10) Null point
- 11) Installation length



	BTL7 -A/B- SERIES - ETHERNET/IP
Interface	Ethernet/IP
Measuring length	25...7620 mm
Repeat accuracy	$\leq \pm 5 \mu\text{m}$
Linearity deviation	nnnn = 0050...5500: $\pm 30 \mu\text{m}$ nnnn > 5500: $\pm 0.02\%$ FS
Operating voltage U_b	10...30 VDC
Ambient temperature	-40...85 °C
Mechanical configuration	Fastening M18 threads
Housing material	Aluminum, Anodized
IP rating	IP67 with connector
Approval/Conformity	CE cULus EAC WEEE
Ex category	—

BTL7-abcd-Mnnnn-fg-lm

BTL7

Magnetostrictive linear position sensor
Generation 7

a interface

V = EtherNet

b Operating voltage

5 = 10 ... 30 V

c Interface characteristic 1

0 = Flexible Magnet Mode
(1 - 16 magnets)

d Interface characteristic 2

D = EtherNet IP

Mnnnn Nominal length (4-position)

M0500 = metric in mm
(M0025...M1016: for rod diameter
8 mm)
(M0025...M7620: for rod diameter
10.2 mm)

f Style

A = Mounting threads M18x1.5,
for flat seal
B = Mounting threads M18x1.5,
for O-Ring

g Form factor characteristic

8 = Rod diameter 8 mm
- = Rod diameter 10.2 mm

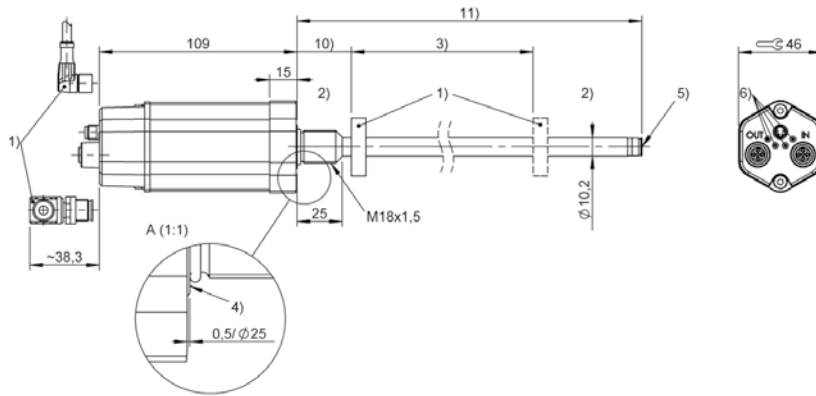
l Connection type

C = Connector

m Connection type characteristic

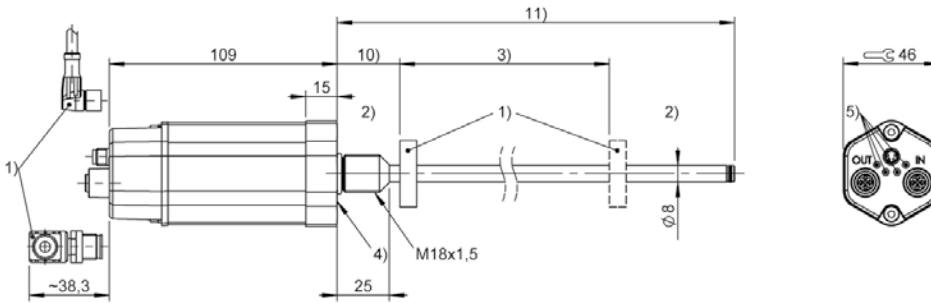
003 = 1 x M8x1 with 4 pins + 2 x M12x1
with 4 pins

BTL7-V50D-Mxxxx-B-C003



- 1) not included in scope of delivery
- 2) Non-usable area
- 3) Nominal length = Measuring length
- 4) Mounting surface
- 5) Internal threads M4x4/6 deep
- 6) LED function indicator
- 10) Null point
- 11) Installation length

BTL7-V50D-Mxxxx-A8-C003



- 1) not included in scope of delivery
- 2) Non-usable area
- 3) Nominal length = Measuring length
- 4) Mounting surface
- 5) LED function indicator
- 10) Null point
- 11) Installation length



	BTL7 -A/B- SERIES - ETHERCAT
Interface	EtherCAT
Measuring length	25...7620 mm
Repeat accuracy	$\leq \pm 5 \mu\text{m}$
Linearity deviation	nnnn = 0050...5500: $\pm 30 \mu\text{m}$ nnnn > 5500: $\pm 0.02\%$ FS
Operating voltage U_b	10...30 VDC
Ambient temperature	-40...85 °C
Mechanical configuration	Fastening M18 threads
Housing material	Aluminum, Anodized
IP rating	IP67 with connector
Approval/Conformity	CE cULus EAC WEEE
Ex category	—

BTL7-abcd-Mnnnn-fg-lm

BTL7

Magnetostrictive linear position sensor
Generation 7

a interface

V = EtherNet

b Operating voltage

5 = 10 ... 30 V

c Interface characteristic 1

0 = Flexible Magnet Mode
(1 - 16 magnets)

d Interface characteristic 2

E = EtherCAT

Mnnnn Nominal length (4-position)

M0500 = metric in mm
(M0025...M1016: for rod diameter
8 mm)
(M0025...M7620: for rod diameter
10.2 mm)

f Style

A = Mounting threads M18x1.5,
for flat seal
B = Mounting threads M18x1.5,
for O-Ring

g Form factor characteristic

8 = Rod diameter 8 mm
- = Rod diameter 10.2 mm

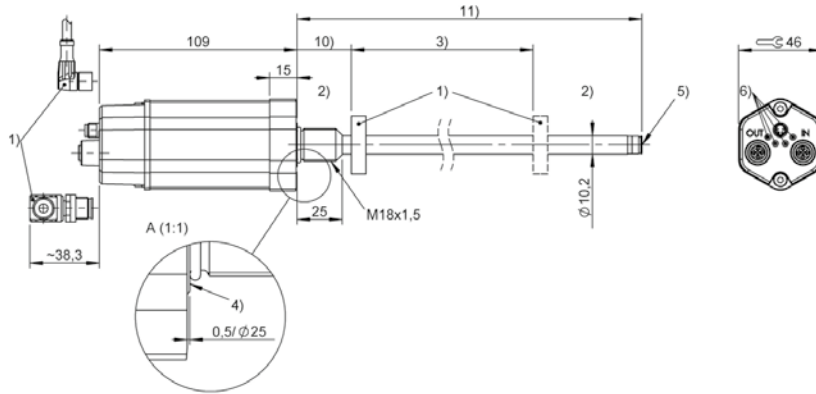
l Connection type

C = Connector

m Connection type characteristic

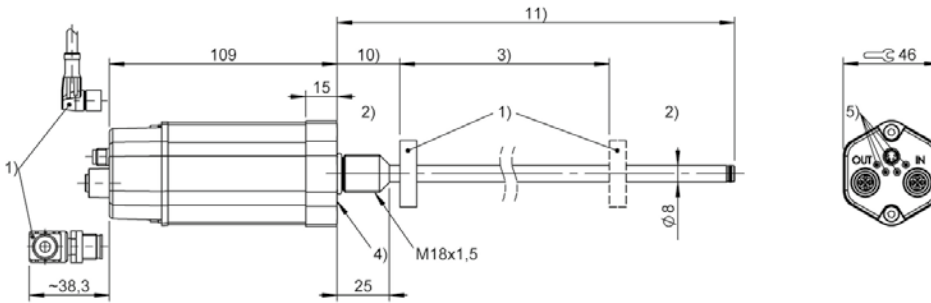
003 = 1 x M8x1 with 4 pins + 2 x M12x1
with 4 pins

BTL7-V50E-Mxxxx-B-C003



- 1) not included in scope of delivery
- 2) Non-usable area
- 3) Nominal length = Measuring length
- 4) Mounting surface
- 5) Internal threads M4x4/6 deep
- 6) LED function indicator
- 10) Null point
- 11) Installation length

BTL7-V50E-Mxxxx-A8-C003



- 1) not included in scope of delivery
- 2) Non-usable area
- 3) Nominal length = Measuring length
- 4) Mounting surface
- 5) LED function indicator
- 10) Null point
- 11) Installation length



	BTL5 -A/B- SERIES - PROFIBUS
Interface	Profibus
Measuring length	25...4000 mm
Repeat accuracy	—
Linearity deviation	±30 µm
Operating voltage U_b	20...28 VDC
Ambient temperature	-40...85 °C
Mechanical configuration	Fastening M18 threads
Housing material	Aluminum, Anodized
IP rating	IP67 with connector
Approval/Conformity	CE cULus EAC WEEE
Ex category	—

BTL5-abcd-Mnnnn-fg-lm

BTL5

Magnetostrictive linear position sensor
Generation 5

a interface

T = Profibus

b Operating voltage

1 = 20 ... 28 V

c + d Interface characteristic 1 + 2

10 = 1 magnet

(1 - 4 magnets can be set)

Mnnnn Nominal length (4-position)

M0500 = metric in mm

(M0050...M4000)

f Style

A = Mounting threads M18x1.5, f
or flat seal

B = Mounting threads M18x1.5,
for O-Ring

g Form factor characteristic

8 = Rod diameter 8 mm

- = Rod diameter 10.2 mm

l Connection type

S = Connector

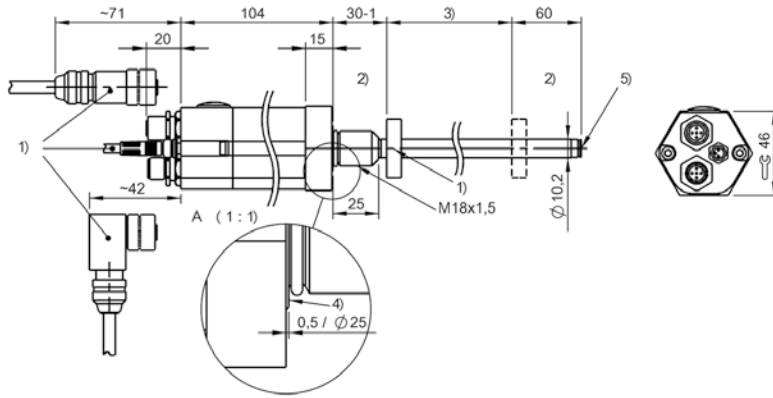
m Connection type characteristic

103 = 1 x M8x1 connector with 3 pins

+ 1 x M12x1 connector with 5 pins +

1 x M12x1 female with 5 pins

BTL5-Txxx-Mxxxx-B-S103



- 1) not included in scope of delivery
- 2) Non-usable area
- 3) Nominal length = Measuring length
- 4) Mounting surface
- 5) Internal threads M4x4/6 deep



	BTL6 -A/B- SERIES - VARAN
Interface	Varan
Measuring length	25...4012 mm
Repeat accuracy	≤ 30 μm
Linearity deviation	nmm = 0050...0500: ± 200 μm, nmm > 0500: ± 0.04% FS
Operating voltage Ub	20...28 VDC
Ambient temperature	0...70 °C
Mechanical configuration	Fastening M18 threads
Housing material	Aluminum, Anodized
IP rating	IP67 with connector
Approval/Conformity	CE cULus EAC WEEE
Ex category	—

BTL6-abcd-Mnnnn-fg-lm

BTL6

Magnetostrictive linear position sensor
Generation 6

a Interface

V = EtherNet

b Operating voltage

1 = 20 ... 28 V

c Interface characteristic 1

1 = 1 magnet

d Interface characteristic 2

E = Varan

Mnnnn Nominal length (4-position)

M0500 = metric in mm

(M0025...M1016: for rod diameter
8 mm)

(M0025...M4012: for rod diameter
10.2 mm)

f Style

A = Mounting threads M18x1.5,
for flat seal

B = Mounting threads M18x1.5,
for O-Ring

g Form factor characteristic

8 = Rod diameter 8 mm

- = Rod diameter 10.2 mm

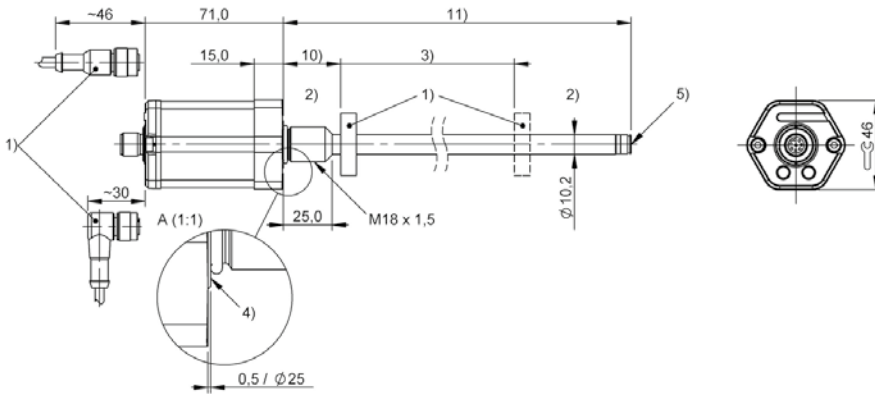
l Connection type

S = Connector

m Connection type characteristic 1

115 = M12x1 connector with 8 pins

BTL-V11V-Mxxxx-B-S115



- 1) not included in scope of delivery
- 2) Non-usable area
- 3) Nominal length = Measuring length
- 4) Mounting surface
- 5) Internal threads M4x4/6 deep
- 10) Null point
- 11) Installation length



	BTL7 -BE/BF- SERIE - DIGITAL
Interface	Digital pulse
Measuring length	25...7620 mm
Repeat accuracy	$\leq \pm 5 \mu\text{m}$
Linearity deviation	nnnn = 0025...5500: $\pm 50 \mu\text{m}$ nnnn > 5500: $\pm 0.02\%$ FS
Operating voltage U_b	10...30 VDC
Ambient temperature	-40...85 °C
Mechanical configuration	Fastening M18 threads
Housing material	Stainless steel (1.4404)
IP rating	IP69K
Approval/Conformity	I = S, KA: CE + cULus + EAC + WEEE I = FA: CE + EAC + WEEE
Ex category	—

BTL7-abcd-Mnnnn-fg-lm

BTL7

Magnetostrictive linear position sensor
Generation 7

a interface

P = Digital pulse interface

b Operating voltage

5 = 10 ... 30 V

c Interface characteristic 1

1 = Digital start/stop interface

d Interface characteristic 2

1 = DPI/IP communication interface

Mnnnn Nominal length (4-position)

M0500 = metric in mm
(M0025...M1016: for rod diameter
8 mm)
(M0025...M7620: for rod diameter
10.2 mm)

f Style

A = Mounting threads M18x1.5,
for flat seal
B = Mounting threads M18x1.5,
for O-Ring

g Form factor characteristic

8 = Rod diameter 8 mm
- = Rod diameter 10.2 mm

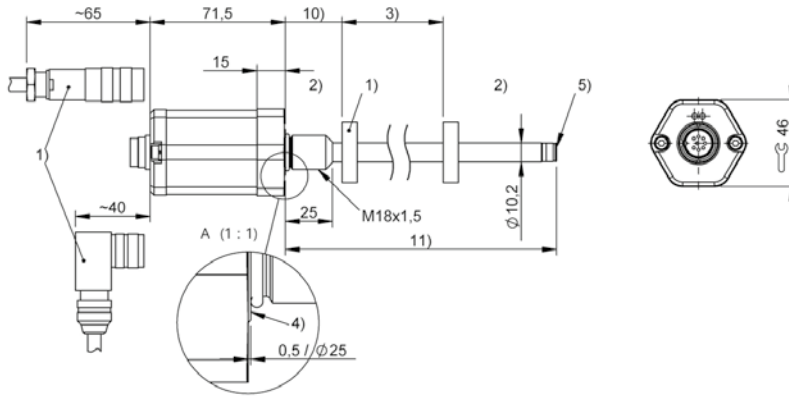
l Connection type

S = Connector
KA = Cable (PUR)
FA = Cable (PTFE)

m Connection type characteristic 1

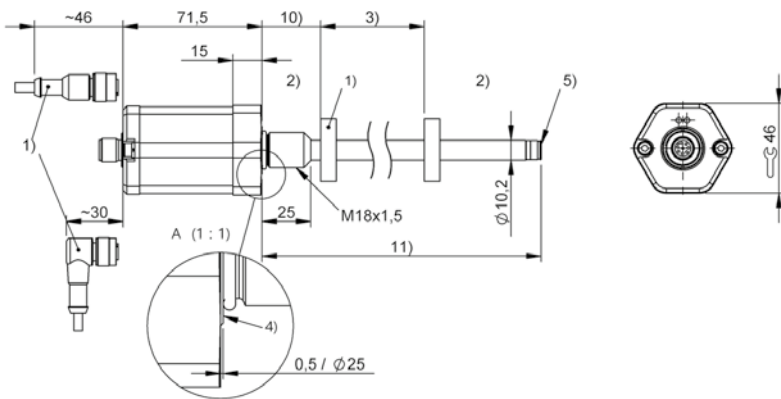
for connector:
32 = M16x0.75 connector with 8 pins
115 = M12x1 connector with 8 pins
135 = M16x0.75 connector with 6 pins
for cable (length in meters):
02, 05, 10, 15, 20, 30, 50, 100

BTL7-P511-Mxxxx-BE-S32



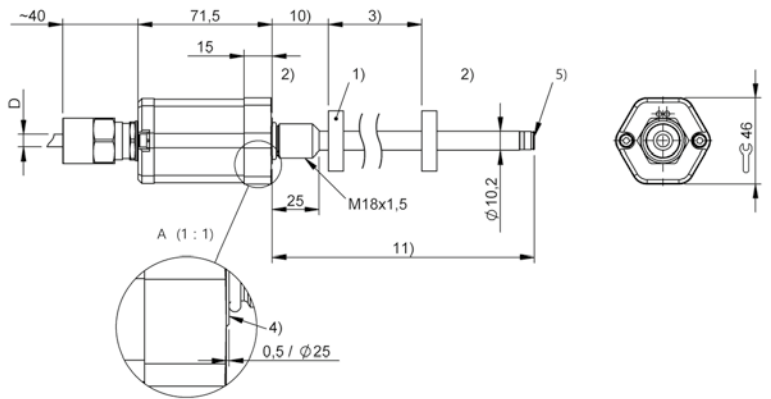
- 1) not included in scope of delivery
- 2) Non-usable area
- 3) Nominal length = Measuring length
- 4) Mounting surface
- 5) Internal threads M4x4/6 deep
- 10) Null point
- 11) Installation length

BTL7-P511-Mxxxx-BE-S115



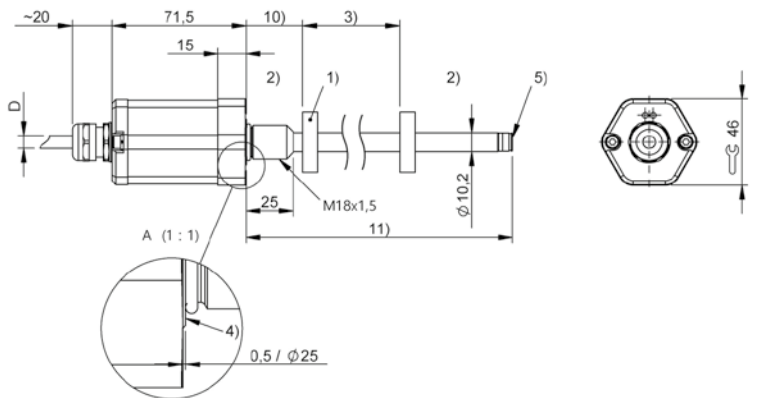
- 1) not included in scope of delivery
- 2) Non-usable area
- 3) Nominal length = Measuring length
- 4) Mounting surface
- 5) Internal threads M4x4/6 deep
- 10) Null point
- 11) Installation length

BTL7-P511-Mxxxx-BF-FA/KAxx



- 1) not included in scope of delivery
- 2) Non-usable area
- 3) Nominal length = Measuring length
- 4) Mounting surface
- 5) Internal threads M4x4/6 deep
- 10) Null point
- 11) Installation length

BTL7-P511-Mxxxx-BE-FA/KAxx



- 1) not included in scope of delivery
- 2) Non-usable area
- 3) Nominal length = Measuring length
- 4) Mounting surface
- 5) Internal threads M4x4/6 deep
- 10) Null point
- 11) Installation length



	BTL7 -BE/BF- SERIE - SSI
Interface	SSI
Measuring length	25...7620 mm
Repeat accuracy	$\leq \pm 5 \mu\text{m}$
Linearity deviation	d = 1, 2, 3, 7: nnnn = 50...5500: $\pm 30\mu\text{m}$ d = 4, 5, 6, 8 nnnn = 50...5500: $\pm 2 \text{ LSB}$ nnnn > 5500: $\pm 0.02\% \text{ FS}$
Operating voltage U_b	10...30 VDC
Ambient temperature	-40...85 °C
Mechanical configuration	Fastening M18 threads
Housing material	Stainless steel (1.4404)
IP rating	IP69K
Approval/Conformity	I = S, KA: CE + cULus + EAC + WEEE I = FA: CE + EAC + WEEE
Ex category	—

BTL7-abcde-Mnnnn-fg-lm

BTL7

Magnetostrictive linear position sensor
Generation 7

a interface

S = SSI

b Operating voltage

5 = 10 ... 30 V

c Interface characteristic 1

0 = 24 bits, binary, rising
1 = 24 bits, gray, rising
2 = 24 bits, binary, falling
3 = 24 bits, gray, falling
6 = 25 bits, binary, rising
7 = 25 bits, gray, rising
8 = 25 bits, binary, falling
9 = 25 bits, gray, falling
A = 26 bits, binary, rising
B = 26 bits, gray, rising
C = 26 bits, binary, falling
D = 26 bits, gray, falling

d Interface characteristic 2

1 = 1 μm
2 = 5 μm
3 = 10 μm
4 = 20 μm
5 = 40 μm
6 = 100 μm
7 = 2 μm
8 = 50 μm

e Interface characteristic 3

B = Synchronous mode
- = Asynchronous mode

Mnnnn Nominal length (4-position)

M0500 = metric in mm
(M0025...M1016: for rod diameter
8 mm)
(M0025...M7620: for rod diameter
10.2 mm)

f Style

A = Mounting threads M18x1.5,
for flat seal
B = Mounting threads M18x1.5,
for O-Ring

g Form factor characteristic

8 = Rod diameter 8 mm
- = Rod diameter 10.2 mm

l Connection type

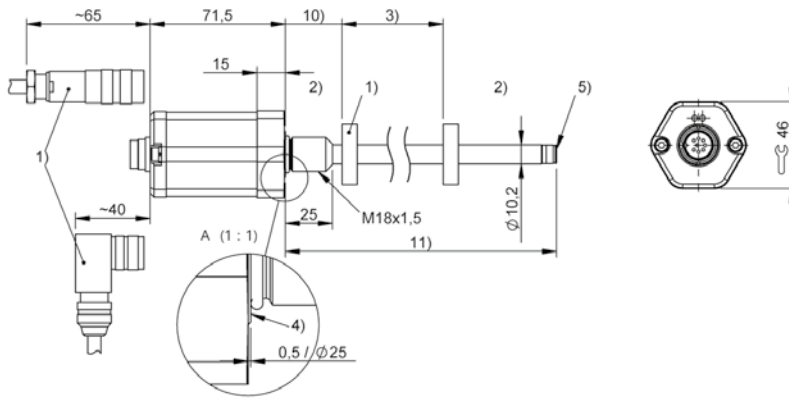
S = Connector
KA = Cable (PUR)
FA = Cable (PTFE)

m Connection type characteristic 1

for connector:
32 = M16x0.75 connector with 8 pins
115 = M12x1 connector with 8 pins
140 = MS, 10-pin
147 = M16x0.75 connector with 7 pins

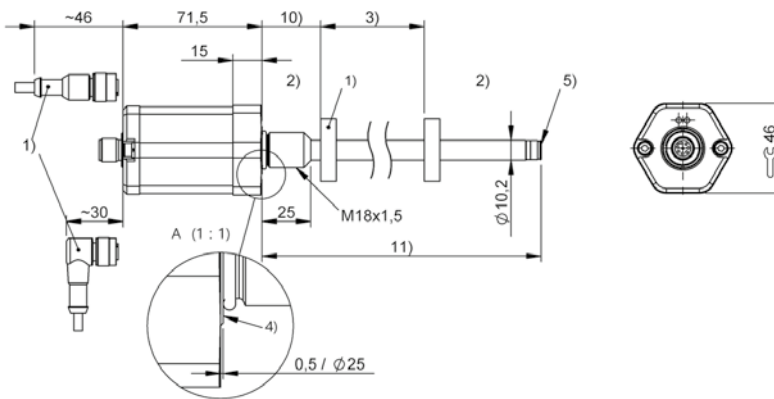
for cable (length in meters):
02, 05, 10, 15, 20, 30, 50, 100

BTL7-S510-Mxxxx-BE-S32



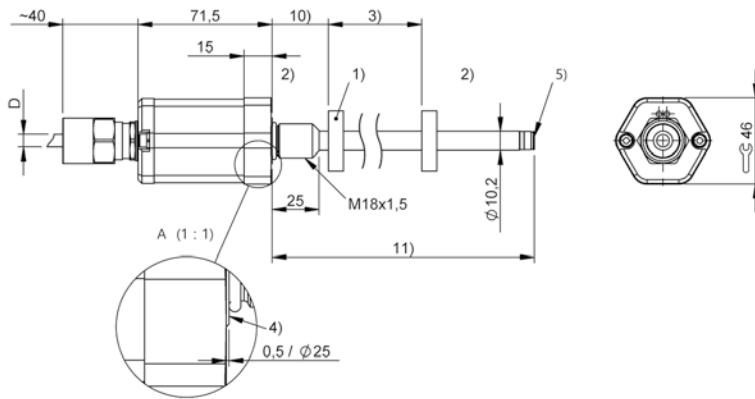
- 1) not included in scope of delivery
- 2) Non-usable area
- 3) Nominal length = Measuring length
- 4) Mounting surface
- 5) Internal threads M4x4/6 deep
- 10) Null point
- 11) Installation length

BTL7-S5xx-Mxxxx-BE-S115



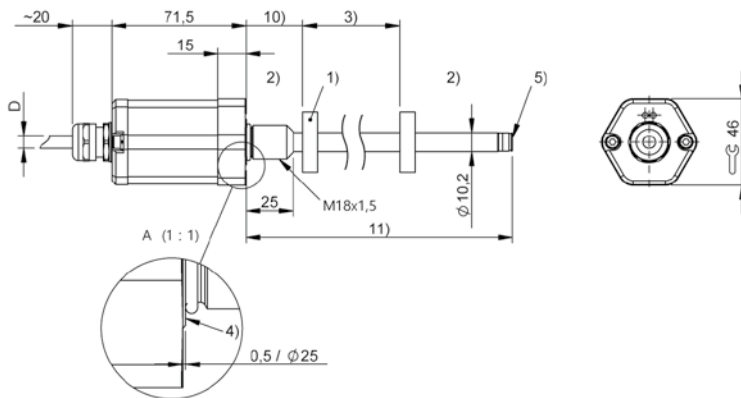
- 1) not included in scope of delivery
- 2) Non-usable area
- 3) Nominal length = Measuring length
- 4) Mounting surface
- 5) Internal threads M4x4/6 deep
- 10) Null point
- 11) Installation length

BTL7-S5xx-Mxxxx-BF-FA/KAxx



- 1) not included in scope of delivery
- 2) Non-usable area
- 3) Nominal length = Measuring length
- 4) Mounting surface
- 5) Internal threads M4x4/6 deep
- 10) Null point
- 11) Installation length

BTL7-S5xx-Mxxxx-BE-FA/KAxx



- 1) not included in scope of delivery
- 2) Non-usable area
- 3) Nominal length = Measuring length
- 4) Mounting surface
- 5) Internal threads M4x4/6 deep
- 10) Null point
- 11) Installation length



	BTL7 -Y/Z- SERIES - ANALOG VOLTAGE
Interface	Analog, voltage
Measuring length	25...7620 mm
Repeat accuracy	± 10 µm
Linearity deviation	nxxx = 0050...0500: ± 50 µm, nxxx = 0501...5500: ± 0.01% FS, nxxx > 5500: ± 0.02% FS
Operating voltage U_b	10...30 VDC
Ambient temperature	-40...85 °C
Mechanical configuration	Fastening 3/4" threads
Housing material	Aluminum, Anodized
IP rating	I = S AND m ≠ 140: IP67 with connector I = S AND m = 140: IP65 with connector I = KA, FA: IP68
Approval/Conformity	nxxx ≤ 500: I = S, KA: CE + cULus + EAC + GL + WEEE I = FA: CE + EAC + GL + WEEE nxxx > 500: I = S, KA: CE + cULus + EAC + WEEE I = FA: CE + EAC + WEEE
Ex category	—

BTL7-abcd-Mnnnn-fg-lm

BTL7

Magnetostrictive linear position sensor
Generation 7

a interface

A = Voltage output 0 ... 10 V
G = voltage output -10 ... 10 V

b Operating voltage

1 = 20 ... 28 V
5 = 10 ... 30 V

c + d Interface characteristic 1 + 2

01 = 2 outputs, each 1 x rising/falling
settable/programmable
10 = 2 outputs, 1x each rising/falling

Mnnnn Nominal length (4-position)

M0500 = metric in mm
(M0025...M1016: for rod diameter
8 mm)
(M0025...M7620: for rod diameter
10.2 mm)

f Style

Y = Inch threads 3/4"-16UNF,
for flat seal
Z = Inch threads 3/4"-16UNF,
for O-Ring

g Form factor characteristic

8 = Rod diameter 8 mm
- = Rod diameter 10.2 mm

l Connection type

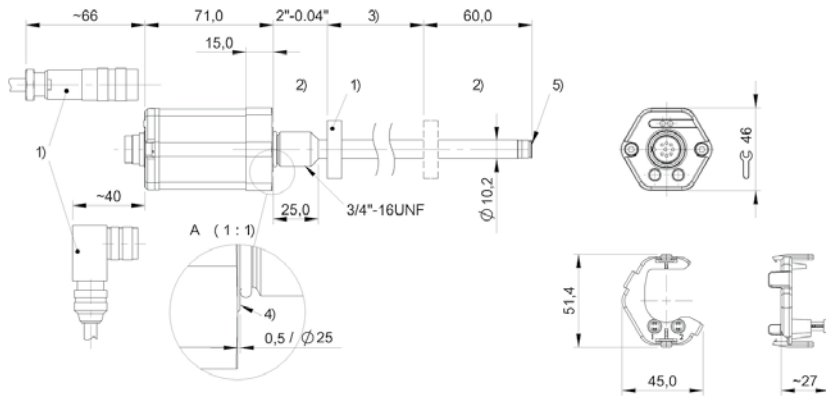
S = Connector
KA = Cable (PUR)
FA = Cable (PTFE)

m Connection type characteristic 1

for connector:
32 = M16x0.75 connector with 8 pins
115 = M12x1 connector with 8 pins
135 = M16x1 connector with 6 pins
140 = MS, 10-pin

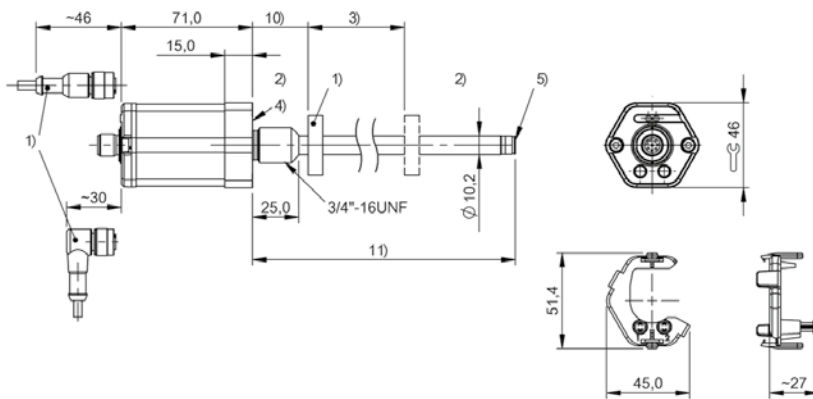
for cable (length in meters):
02, 05, 10, 15, 20, 30

BTL7-A501-Mxxxx-Z-S32



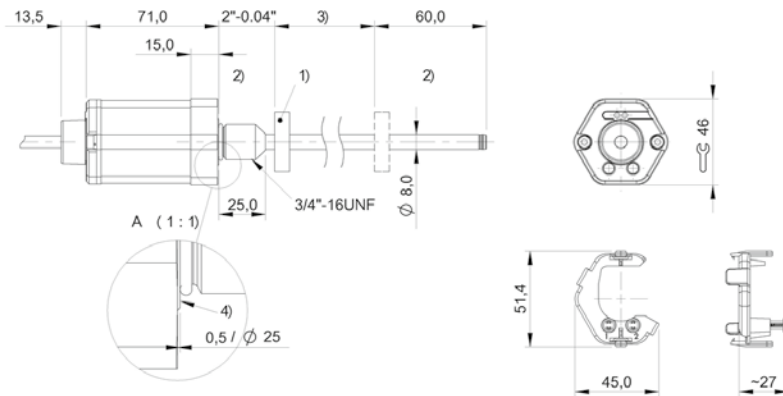
- 1) not included in scope of delivery
- 2) Non-usable area
- 3) Nominal length = Measuring length
- 4) Mounting surface
- 5) Internal threads M4x4/6 deep

BTL7-G510-Mxxxx-Y-S115



- 1) not included in scope of delivery
- 2) Non-usable area
- 3) Nominal length = Measuring length
- 4) Mounting surface
- 5) Internal threads M4x4/6 deep

BTL7-A510-Mxxxx-Z8-KAxx



- 1) not included in scope of delivery
- 2) Non-usable area
- 3) Nominal length = Measuring length
- 4) Mounting surface



	BTL7 -Y/Z- SERIES - ANALOG CURRENT
Interface	Analog, current
Measuring length	25...7620 mm
Repeat accuracy	± 5 µm
Linearity deviation	nxxx = 0050...0500: ± 50 µm, nxxx = 0501...5500: ± 0.01% FS, nxxx > 5500: ± 0.02% FS
Operating voltage U_b	10...30 VDC
Ambient temperature	-40...85 °C
Mechanical configuration	Fastening 3/4" threads
Housing material	Aluminum, Anodized
IP rating	I = S AND m ≠ 140: IP67 with connector I = S AND m = 140: IP65 with connector I = KA, FA: IP68
Approval/Conformity	nxxx ≤ 500: I = S, KA: CE + cULus + EAC + GL + WEEE I = FA: CE + EAC + GL + WEEE nxxx > 500: I = S, KA: CE + cULus + EAC + WEEE I = FA: CE + EAC + WEEE
Ex category	—

BTL7-abcd-Mnnnn-fg-Im

BTL7

Magnetostrictive linear position sensor
Generation 7

a interface

C = Current output 0 ... 20 mA
E = Current output 4 ... 20 mA

b Operating voltage

5 = 10 ... 30 V

c + d Interface characteristic 1 + 2

01 = 2 outputs, 1x each rising/falling
settable/programmable
00 = 1 output, rising
70 = 1 output, falling

Mnnnn Nominal length (4-position)

M0500 = metric in mm
(M0025...M1016: for rod diameter
8 mm)
(M0025...M7620: for rod diameter
10.2 mm)

f Style

Y = Inch threads 3/4"-16UNF, for flat
seal
Z = Inch threads 3/4"-16UNF, for
O-Ring

g Form factor characteristic

8 = Rod diameter 8 mm
- = Rod diameter 10.2 mm

I Connection type

S = Connector
KA = Cable (PUR)
FA = Cable (PTFE)

m Connection type characteristic 1

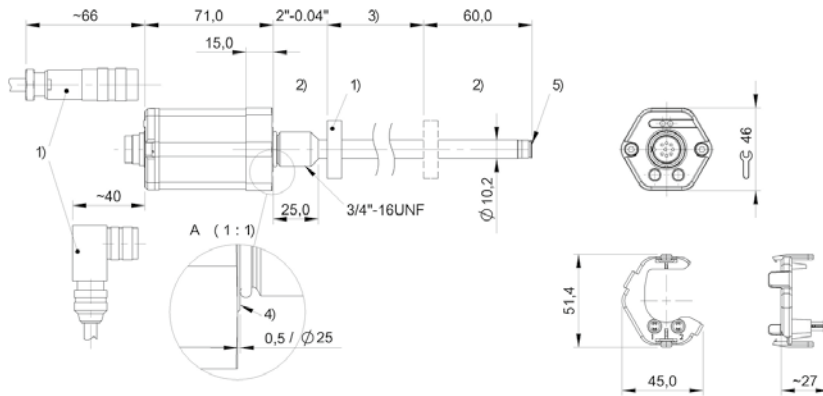
for connector:

32 = M16x0.75 connector with 8 pins
115 = M12x1 connector with 8 pins
135 = M16x1 connector with 6 pins
140 = MS, 10-pin

for cable (length in meters):

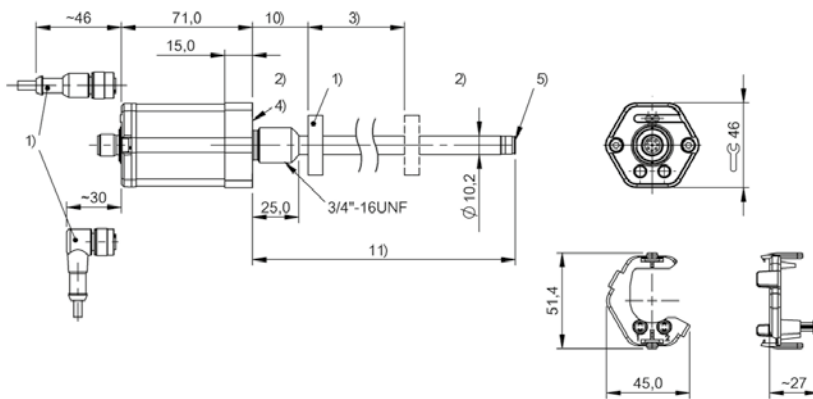
02, 05, 10, 15, 20, 50, 100

BTL7-E501-Mxxxx-Z-S32



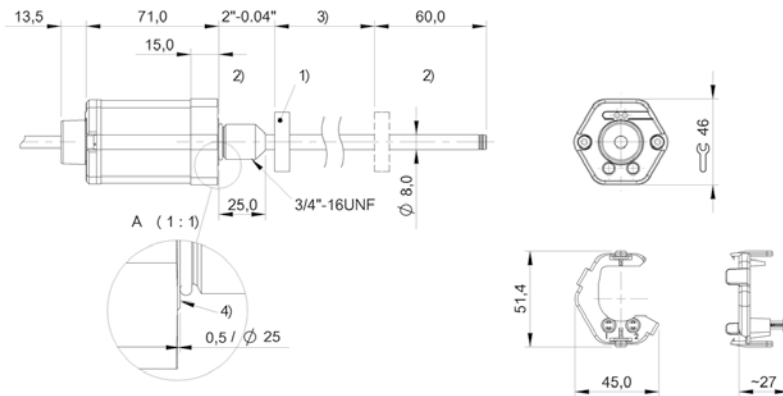
- 1) not included in scope of delivery
- 2) Non-usable area
- 3) Nominal length = Measuring length
- 4) Mounting surface
- 5) Internal threads M4x4/6 deep

BTL7-C500-Mxxxx-Y-S115



- 1) not included in scope of delivery
- 2) Non-usable area
- 3) Nominal length = Measuring length
- 4) Mounting surface
- 5) Internal threads M4x4/6 deep

BTL7-E570-Mxxxx-Z8-KAxx



- 1) not included in scope of delivery
- 2) Non-usable area
- 3) Nominal length = Measuring length
- 4) Mounting surface



	BTL7 -Y/Z- SERIES - DIGITAL
Interface	Digital pulse
Measuring length	25...7620 mm
Repeat accuracy	$\leq \pm 5 \mu\text{m}$
Linearity deviation	nnnn = 0025...5500: $\pm 50 \mu\text{m}$, nnnn > 5500: $\pm 0.02\%$ FS
Operating voltage U_b	10...30 VDC
Ambient temperature	-40...85 °C
Mechanical configuration	Fastening 3/4" threads
Housing material	Aluminum, Anodized
IP rating	I = S: IP67 with connector I = KA, FA: IP68
Approval/Conformity	I = S, KA: CE + cULus + EAC + WEEE I = FA: CE + EAC + WEEE
Ex category	—

BTL7-abcd-Mnnnn-fg-lm

BTL7

Magnetostrictive linear position sensor
Generation 7

a interface

P = Digital pulse interface

b Operating voltage

5 = 10 ... 30 V

c Interface characteristic 1

1 = Digital start/stop interface

d Interface characteristic 2

1 = DPI/IP communication interface

Mnnnn Nominal length (4-position)

M0500 = metric in mm
(M0025...M1016: for rod diameter
8 mm)
(M0025...M7620: for rod diameter
10.2 mm)

f Style

Y = Inch threads 3/4"-16UNF, for
flat seal

Z = Inch threads 3/4"-16UNF, for
O-Ring

g Form factor characteristic

8 = Rod diameter 8 mm
- = Rod diameter 10.2 mm

l Connection type

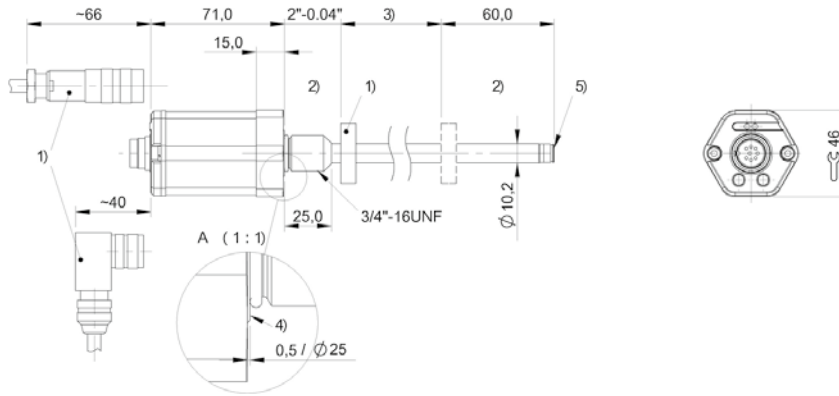
S = Connector
KA = Cable (PUR)
FA = Cable (PTFE)

m Connection type characteristic 1

for connector:
32 = M16x0.75 connector with 8 pins
115 = M12x1 connector with 8 pins
135 = M16x0.75 connector with 6 pins

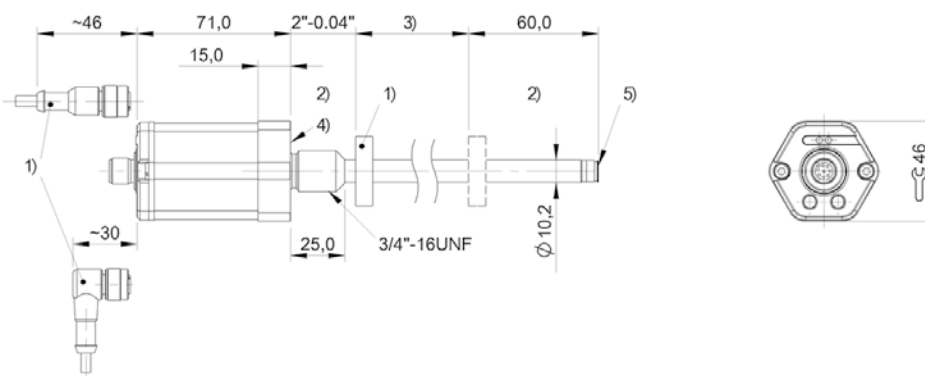
for cable (length in meters):
02, 05, 10, 15, 20, 30, 50, 100

BTL7-P511-Mxxxx-Z-S32



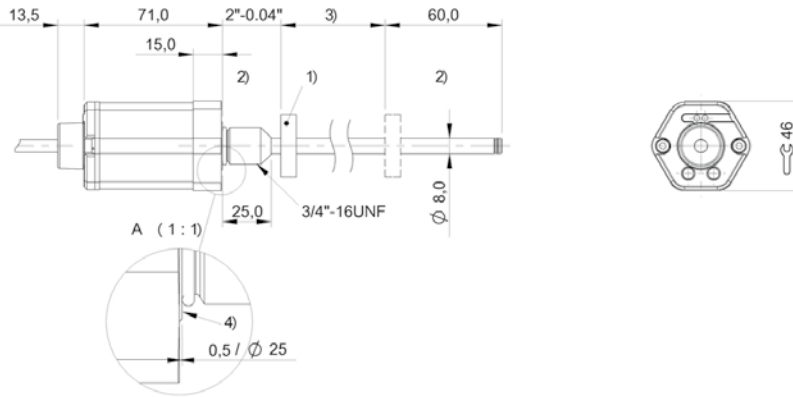
- 1) not included in scope of delivery
- 2) Non-usable area
- 3) Nominal length = Measuring length
- 4) Mounting surface
- 5) Internal threads M4x4/6 deep

BTL7-P511-Mxxxx-Y-S115



- 1) not included in scope of delivery
- 2) Non-usable area
- 3) Nominal length = Measuring length
- 4) Mounting surface
- 5) Internal threads M4x4/6 deep

BTL7-P511-Mxxxx-Z8-KAxx



- 1) not included in scope of delivery
- 2) Non-usable area
- 3) Nominal length = Measuring length
- 4) Mounting surface



	BTL7 -Y/Z- SERIES - SSI
Interface	SSI
Measuring length	25...7620 mm
Repeat accuracy	$\leq \pm 5 \mu\text{m}$
Linearity deviation	d = 1, 2, 3, 7: nnnn = 25...5500: $\pm 30\mu\text{m}$ d = 4, 5, 6, 8 nnnn = 25...5500: $\pm 2 \text{ LSB}$ nnnn > 5500: $\pm 0.02\% \text{ FS}$
Operating voltage U_b	10...30 VDC
Ambient temperature	-40...85 °C
Mechanical configuration	Fastening 3/4" threads
Housing material	Aluminum, Anodized
IP rating	I = S AND m \neq 140: IP67 with connector I = S AND m = 140: IP65 with connector I = KA, FA: IP68
Approval/Conformity	I = S, KA: CE + cULus + EAC + WEEE I = FA: CE + EAC + WEEE
Ex category	—

BTL7-abcde-Mnnnn-fg-Im

BTL7

Magnetostrictive linear position sensor
Generation 7

a Interface

S = SSI

b Operating voltage

5 = 10 ... 30 V

c Interface characteristic 1

0 = 24 bits, binary, rising
1 = 24 bits, gray, rising
2 = 24 bits, binary, falling
3 = 24 bits, gray, falling
6 = 25 bits, binary, rising
7 = 25 bits, gray, rising
8 = 25 bits, binary, falling
9 = 25 bits, gray, falling
A = 26 bits, binary, rising
B = 26 bits, gray, rising
C = 26 bits, binary, falling
D = 26 bits, gray, falling

d Interface characteristic 2

1 = 1 μm
2 = 5 μm
3 = 10 μm
4 = 20 μm
5 = 40 μm
6 = 100 μm
7 = 2 μm
8 = 50 μm

e Interface characteristic 3

B = Synchronous mode
- = Asynchronous mode

Mnnnn Nominal length (4-position)

M0500 = metric in mm
(M0025...M1016: for rod diameter
8 mm)
(M0025...M7620: for rod diameter
10.2 mm)

f Style

Y = Inch threads 3/4"-16UNF,
for flat seal
Z = Inch threads 3/4"-16UNF,
for O-Ring

g Form factor characteristic

8 = Rod diameter 8 mm
- = Rod diameter 10.2 mm

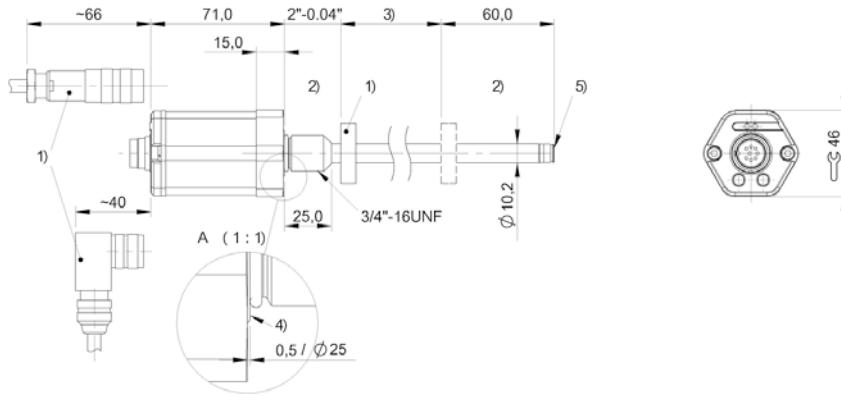
I Connection type

S = Connector
KA = Cable (PUR)
FA = Cable (PTFE)

m Connection type characteristic 1

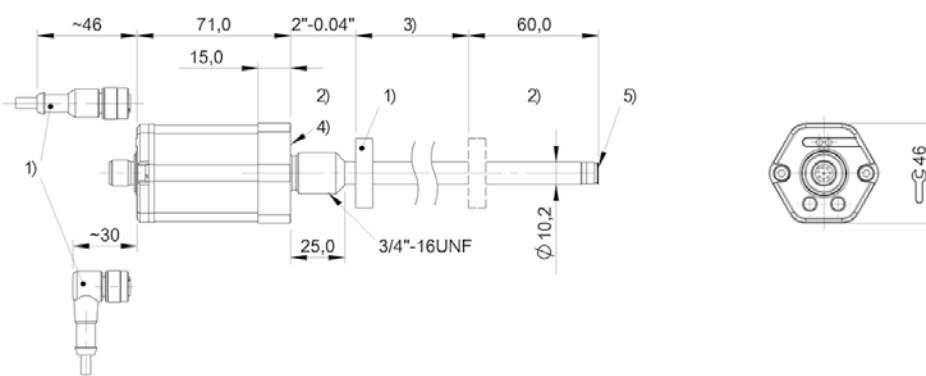
for connector:
32 = M16x0.75 connector with 8 pins
115 = M12x1 connector with 8 pins
140 = MS, 10-pin
147 = M16x0.75 connector with 7 pins
for cable (length in meters):
02, 05, 10, 15, 20, 30, 50, 100

BTL7-S510x-Mxxxx-Z-S32



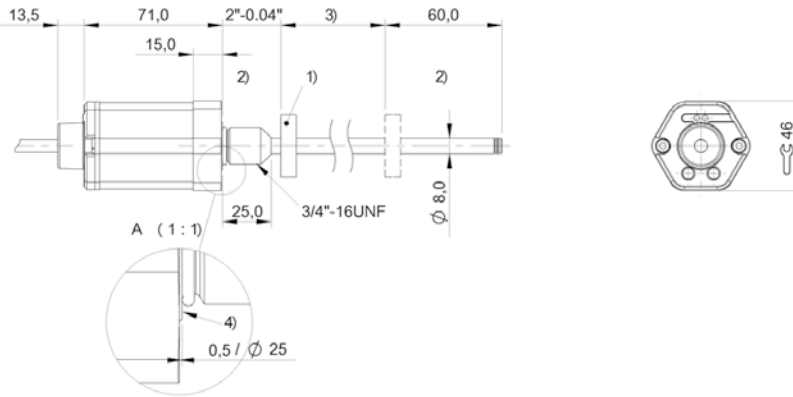
- 1) not included in scope of delivery
- 2) Non-usable area
- 3) Nominal length = Measuring length
- 4) Mounting surface
- 5) Internal threads M4x4/6 deep

BTL7-S5xxx-Mxxxx-Y-S115



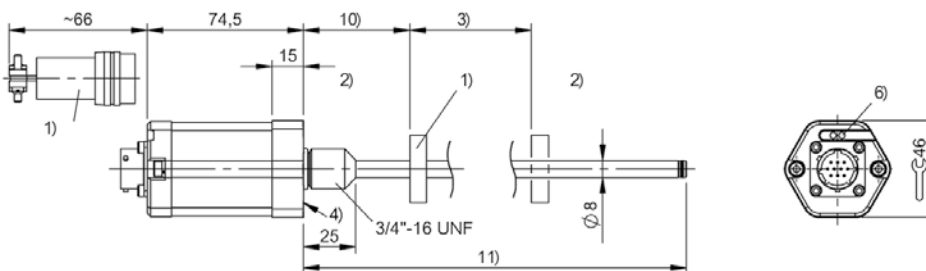
- 1) not included in scope of delivery
- 2) Non-usable area
- 3) Nominal length = Measuring length
- 4) Mounting surface
- 5) Internal threads M4x4/6 deep

BTL7-S5xxx-Mxxxx-Z8-KAxx



- 1) not included in scope of delivery
- 2) Non-usable area
- 3) Nominal length = Measuring length
- 4) Mounting surface

BTL7-S5xxx-Mxxxx-Y8-S140



- 1) not included in scope of delivery
- 2) Non-usable area
- 3) Nominal length = Measuring length
- 4) Mounting surface
- 5) Internal threads M4x4/6 deep
- 6) LED function indicator
- 10) Null point
- 11) Installation length



	BTL6 -Y/Z- SERIES - IO-LINK
Interface	IO-Link
Measuring length	25...4572 mm
Repeat accuracy	≤ 30 μm
Linearity deviation	± 50 μm
Operating voltage U_b	18...30 VDC
Ambient temperature	-40...85 °C
Mechanical configuration	Fastening 3/4" threads
Housing material	Aluminum, Anodized
IP rating	IP67 with connector
Approval/Conformity	CE cULus EAC WEEE
Ex category	—

BTL6-abcd-Mnnnn-f-lm

BTL6

Magnetostrictive linear position sensor
Generation 6

a interface

U = IO-Link

b Operating voltage

1 = 18 ... 30 V

c Interface characteristic 1

0 = Flexible Magnet Mode

d Interface characteristic 2

1 = COM3, 8 bytes inputs

Mnnnn Nominal length (4-position)

M0500 = metric in mm
(M0025...M4572)

f Style

Y = Inch threads 3/4"-16UNF,
for flat seal
Z = Inch threads 3/4"-16UNF,
for O-Ring

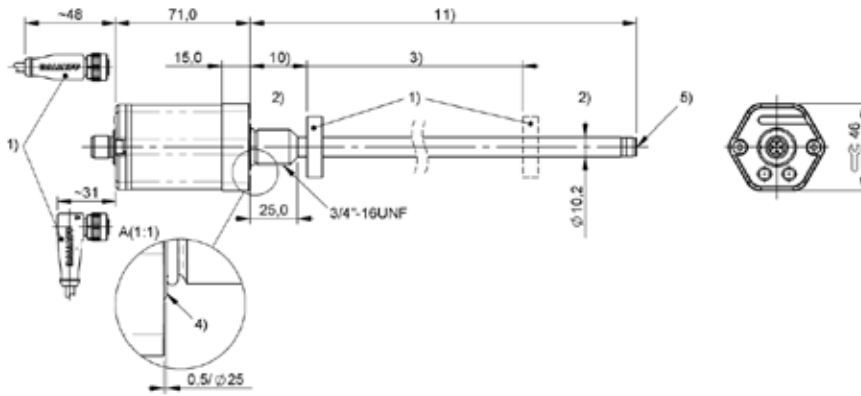
l Connection type

S = Connector

m Connection type characteristic 1

4 = M12x1 connector with 4 pins

BTL6-U101-Mxxxx-Z-S4



- 1) not included in scope of delivery
- 2) Non-usable area
- 3) Nominal length = Measuring length
- 4) Mounting surface
- 5) Internal threads M4x4/6 deep
- 10) Null point
- 11) Installation length



	BTL5 -Y/Z- SERIES - CANOPEN
Interface	CANopen
Measuring length	25...4000 mm
Repeat accuracy	—
Linearity deviation	±30 µm
Operating voltage U_b	20...28 VDC
Ambient temperature	-40...85 °C
Mechanical configuration	Fastening 3/4" threads
Housing material	Aluminum, Anodized
IP rating	IP67 with connector
Approval/Conformity	CE cULus EAC WEEE
Ex category	—

BTL5-abcd-Mnnnn-fg-lm

BTL5

Magnetostrictive linear position sensor
Generation 5

a interface

H = CANopen

b Operating voltage

1 = 20 ... 28 V

c Interface characteristic 1

1 = 1 magnet
2 = 2 magnets
3 = 4 magnets

d Interface characteristic 2

Data transmission rate:

0 = 1 MBaud
1 = 800 MBaud
2 = 500 kBaud
3 = 250 kBaud
4 = 125 kBaud
5 = 100 kBaud
6 = 50 kBaud
7 = 25 kBaud
8 = 10 kBaud

Mnnnn Nominal length (4-position)

M0500 = metric in mm
(M0050...M4000)

f Style

Y = Inch threads 3/4"-16UNF,
for flat seal
Z = Inch threads 3/4"-16UNF,
for O-Ring

g Form factor characteristic

8 = Rod diameter 8 mm
- = Rod diameter 10.2 mm

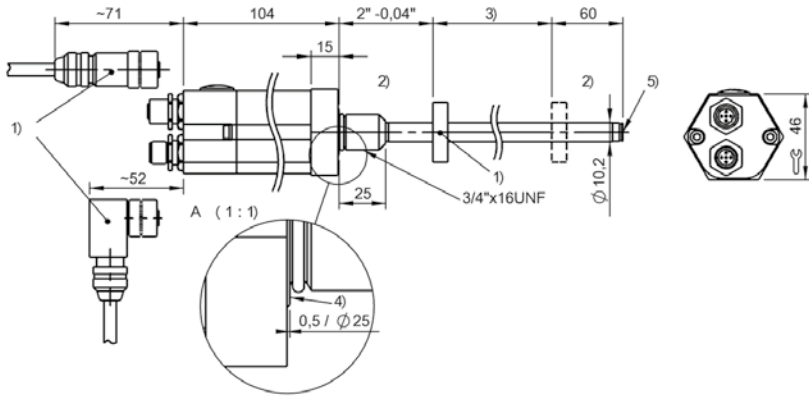
l Connection type

S = Connector

m Connection type characteristic

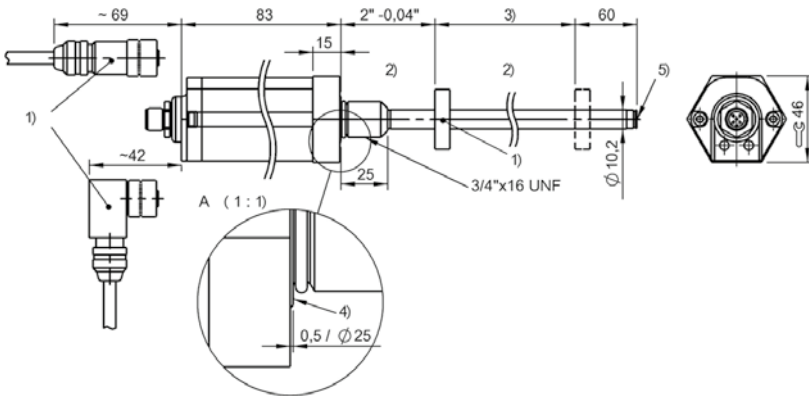
92 = 1 x M12x1 connector with 5 pins
94 = 1 x M12x1 connector with 5 pins +
1 x M12x1 female with 5 pins

BTL5-Hxxx-Mxxxx-Z-S94



- 1) not included in scope of delivery
- 2) Non-usable area
- 3) Nominal length = Measuring length
- 4) Mounting surface
- 5) Internal threads M4x4/6 deep

BTL5-Hxxx-Mxxxx-Z-S92



- 1) not included in scope of delivery
- 2) Non-usable area
- 3) Nominal length = Measuring length
- 4) Mounting surface
- 5) Internal threads M4x4/6 deep



	BTL7 -Y/Z- SERIES - PROFINET
Interface	Profinet
Measuring length	25...7620 mm
Repeat accuracy	$\leq \pm 5 \mu\text{m}$
Linearity deviation	nnnn = 0050...5500: $\pm 30 \mu\text{m}$, nnnn > 5500: $\pm 0.02\%$ FS
Operating voltage U_b	10...30 VDC
Ambient temperature	-40...85 °C
Mechanical configuration	Fastening 3/4" threads
Housing material	Aluminum, Anodized
IP rating	IP67 with connector
Approval/Conformity	CE cULus EAC WEEE
Ex category	—

BTL7-abcd-Mnnnn-fg-lm

BTL7

Magnetostrictive linear position sensor
Generation 7

a interface

V = EtherNet

b Operating voltage

5 = 10 ... 30 V

c Interface characteristic 1

0 = Flexible Magnet Mode
(1 - 16 magnets)

d Interface characteristic 2

T = Profinet

Mnnnn Nominal length (4-position)

M0500 = metric in mm
(M0025...M1016: for rod diameter
8 mm)
(M0025...M7620: for rod diameter
10.2 mm)

f Style

Y = Inch threads 3/4"-16UNF,
for flat seal
Z = Inch threads 3/4"-16UNF,
for O-Ring

g Form factor characteristic

8 = Rod diameter 8 mm
- = Rod diameter 10.2 mm

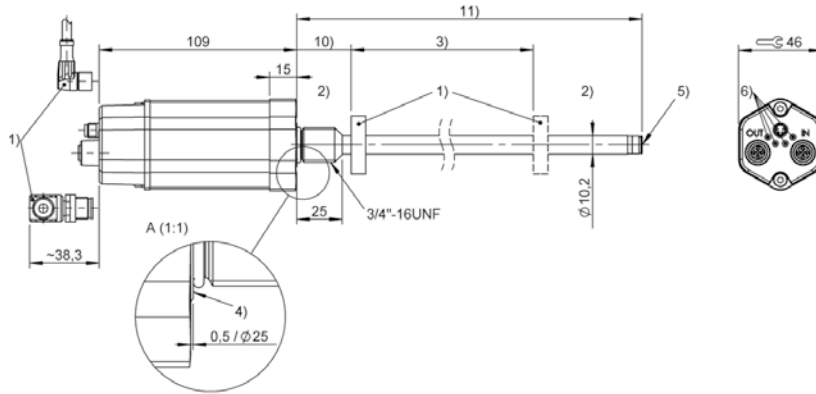
l Connection type

C = Connector

m Connection type characteristic 1

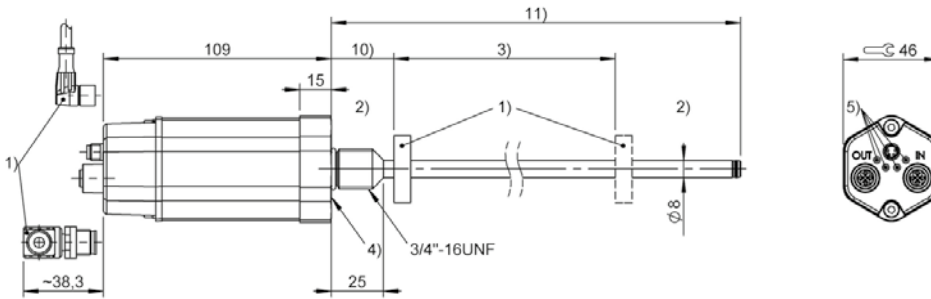
003 = 1 x M8x1 with 4 pins + 2 x M12x1
with 4 pins

BTL7-V50T-Mxxxx-Z-C003



- 1) not included in scope of delivery
- 2) Non-usable area
- 3) Nominal length = Measuring length
- 4) Mounting surface
- 5) Internal threads M4x4/6 deep
- 6) LED function indicator
- 10) Null point
- 11) Installation length

BTL7-V50T-Mxxxx-Y8-C003



- 1) not included in scope of delivery
- 2) Non-usable area
- 3) Nominal length = Measuring length
- 4) Mounting surface
- 5) LED function indicator
- 10) Null point
- 11) Installation length



	BTL7 -Y/Z- SERIES - ETHERNET/IP
Interface	Ethernet/IP
Measuring length	25...7620 mm
Repeat accuracy	$\leq \pm 5 \mu\text{m}$
Linearity deviation	nnnn = 0050...5500: $\pm 30 \mu\text{m}$, nnnn > 5500: $\pm 0.02\%$ FS
Operating voltage U_b	10...30 VDC
Ambient temperature	-40...85 °C
Mechanical configuration	Fastening 3/4" threads
Housing material	Aluminum, Anodized
IP rating	IP67 with connector
Approval/Conformity	CE cULus EAC WEEE
Ex category	—

BTL7-abcd-Mnnnn-fg-lm

BTL7

Magnetostrictive linear position sensor
Generation 7

a Interface

V = EtherNet

b Operating voltage

5 = 10 ... 30 V

c Interface characteristic 1

0 = Flexible Magnet Mode
(1 - 16 magnets)

d Interface characteristic 2

D = EtherNet IP

Mnnnn Nominal length (4-position)

M0500 = metric in mm
(M0025...M1016: for rod diameter
8 mm)
(M0025...M7620: for rod diameter
10.2 mm)

f Style

Y = Inch threads 3/4"-16UNF,
for flat seal
Z = Inch threads 3/4"-16UNF,
for O-Ring

g Form factor characteristic

8 = Rod diameter 8 mm
- = Rod diameter 10.2 mm

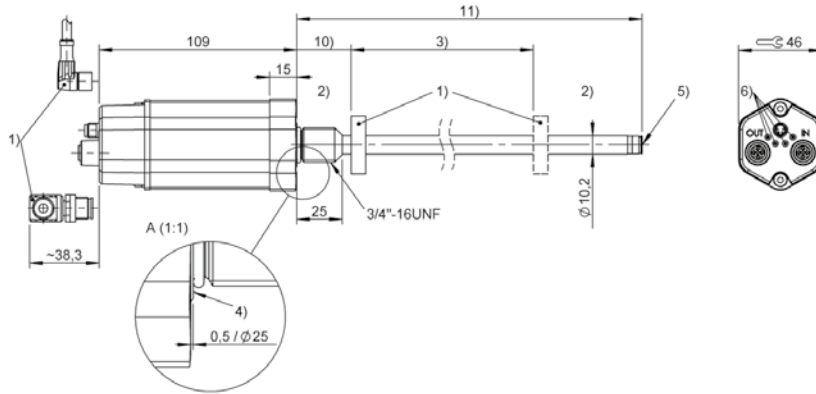
l Connection type

C = Connector

m Connection type characteristic 1

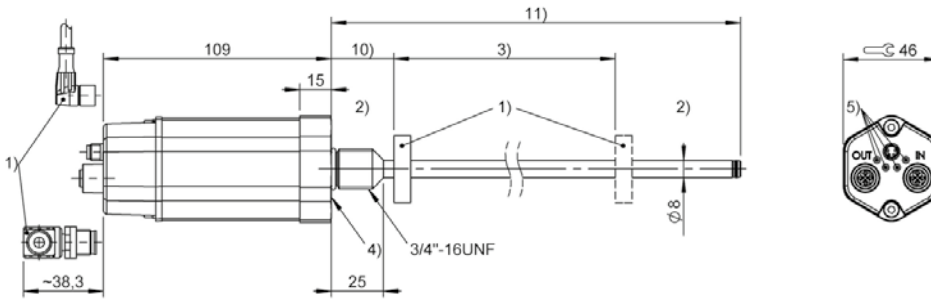
003 = 1 x M8x1 with 4 pins + 2 x M12x1
with 4 pins

BTL7-V50D-Mxxxx-Z-C003



- 1) not included in scope of delivery
- 2) Non-usable area
- 3) Nominal length = Measuring length
- 4) Mounting surface
- 5) Internal threads M4x4/6 deep
- 6) LED function indicator
- 10) Null point
- 11) Installation length

BTL7-V50D-Mxxxx-Y8-C003



- 1) not included in scope of delivery
- 2) Non-usable area
- 3) Nominal length = Measuring length
- 4) Mounting surface
- 5) LED function indicator
- 10) Null point
- 11) Installation length



	BTL7 -Y/Z- SERIES - ETHERCAT
Interface	EtherCAT
Measuring length	25...7620 mm
Repeat accuracy	$\leq \pm 5 \mu\text{m}$
Linearity deviation	nnnn = 0050...5500: $\pm 30 \mu\text{m}$, nnnn > 5500: $\pm 0.02\%$ FS
Operating voltage U_b	10...30 VDC
Ambient temperature	-40...85 °C
Mechanical configuration	Fastening 3/4" threads
Housing material	Aluminum, Anodized
IP rating	IP67 with connector
Approval/Conformity	CE cULus EAC WEEE
Ex category	—

BTL7-abcd-Mnnnn-fg-lm

BTL7

Magnetostrictive linear position sensor
Generation 7

a interface

V = EtherNet

b Operating voltage

5 = 10 ... 30 V

c Interface characteristic 1

0 = Flexible Magnet Mode (
1 - 16 magnets)

d Interface characteristic 2

E = EtherCAT

Mnnnn Nominal length (4-position)

M0500 = metric in mm
(M0025...M1016: for rod diameter
8 mm)
(M0025...M7620: for rod diameter
10.2 mm)

f Style

Y = Inch threads 3/4"-16UNF,
for flat seal
Z = Inch threads 3/4"-16UNF,
for O-Ring

g Form factor characteristic

8 = Rod diameter 8 mm
- = Rod diameter 10.2 mm

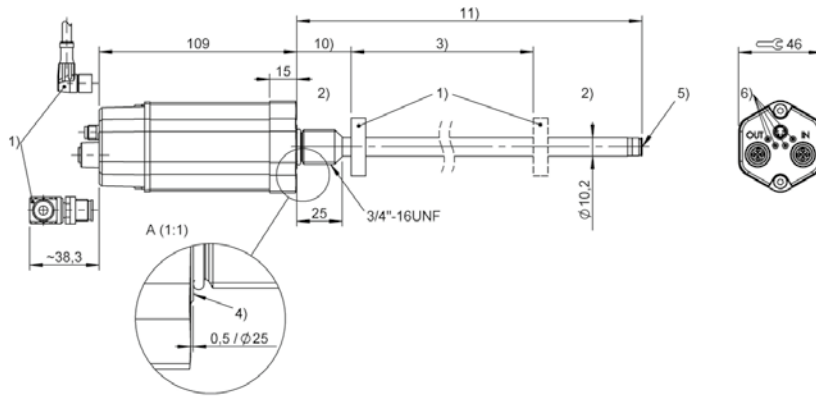
l Connection type

C = Connector

m Connection type characteristic 1

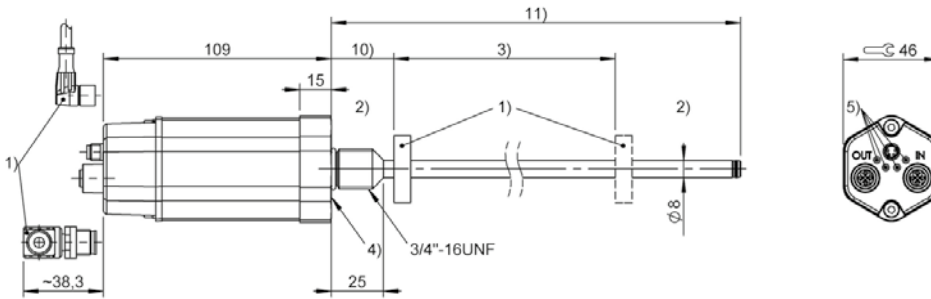
003 = 1 x M8x1 with 4 pins + 2 x
M12x1 with 4 pins

BTL7-V50E-Mxxxx-Z-C003



- 1) not included in scope of delivery
- 2) Non-usable area
- 3) Nominal length = Measuring length
- 4) Mounting surface
- 5) Internal threads M4x4/6 deep
- 6) LED function indicator
- 10) Null point
- 11) Installation length

BTL7-V50E-Mxxxx-Y8-C003



- 1) not included in scope of delivery
- 2) Non-usable area
- 3) Nominal length = Measuring length
- 4) Mounting surface
- 5) LED function indicator
- 10) Null point
- 11) Installation length



	BTL5 -Y/Z- SERIES - PROFIBUS
Interface	Profibus
Measuring length	25...4000 mm
Repeat accuracy	—
Linearity deviation	±30 µm
Operating voltage U_b	20...28 VDC
Ambient temperature	-40...85 °C
Mechanical configuration	Fastening 3/4" threads
Housing material	Aluminum, Anodized
IP rating	IP67 with connector
Approval/Conformity	CE cULus EAC WEEE
Ex category	—

BTL5-abcd-Mnnnn-fg-lm

BTL5

Magnetostrictive linear position sensor
Generation 5

a interface

T = Profibus

b Operating voltage

1 = 20 ... 28 V

c + d Interface characteristic 1 + 2

10 = 1 magnet (1 - 4 magnets can be set)

Mnnnn Nominal length (4-position)

M0500 = metric in mm
(M0050...M4000)

f Style

Y = Inch threads 3/4"-16UNF, f
or flat seal
Z = Inch threads 3/4"-16UNF,
for O-Ring

g Form factor characteristic

8 = Rod diameter 8 mm
- = Rod diameter 10.2 mm

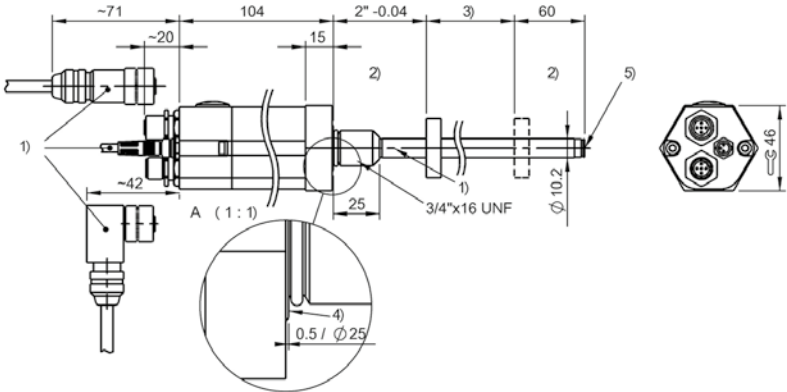
l Connection type

S = Connector

m Connection type characteristic

103 = 1 x M8x1 connector with 3 pins
+ 1 x M12x1 connector with 5 pins +
1 x M12x1 female with 5 pins

BTL5-Txxx-Mxxxx-Z-S103



- 1) not included in scope of delivery
- 2) Non-usable area
- 3) Nominal length = Measuring length
- 4) Mounting surface
- 5) Internal threads M4x4/6 deep



	BTL6 -Y/Z- SERIES - VARAN
Interface	Varan
Measuring length	25...4012 mm
Repeat accuracy	≤ 30 µm
Linearity deviation	nmm = 0050...0500: ± 200 µm, nmm > 0500: ± 0.04% FS
Operating voltage Ub	20...28 VDC
Ambient temperature	0...70 °C
Mechanical configuration	Fastening 3/4" threads
Housing material	Aluminum, Anodized
IP rating	IP67 with connector
Approval/Conformity	CE cULus EAC WEEE
Ex category	—

BTL6-abcd-Mnnnn-fg-lm

BTL6

Magnetostrictive linear position sensor
Generation 6

a Interface

V = EtherNet

b Operating voltage

1 = 20 ... 28 V

c Interface characteristic 1

1 = 1 magnet

d Interface characteristic 2

E = Varan

Mnnnn Nominal length (4-position)

M0500 = metric in mm

(M0025...M1016: for rod diameter
8 mm)

(M0025...M4012: for rod diameter
10.2 mm)

f Style

Y = Inch threads 3/4"-16UNF,
for flat seal

Z = Inch threads 3/4"-16UNF,
for O-Ring

g Form factor characteristic

8 = Rod diameter 8 mm

- = Rod diameter 10.2 mm

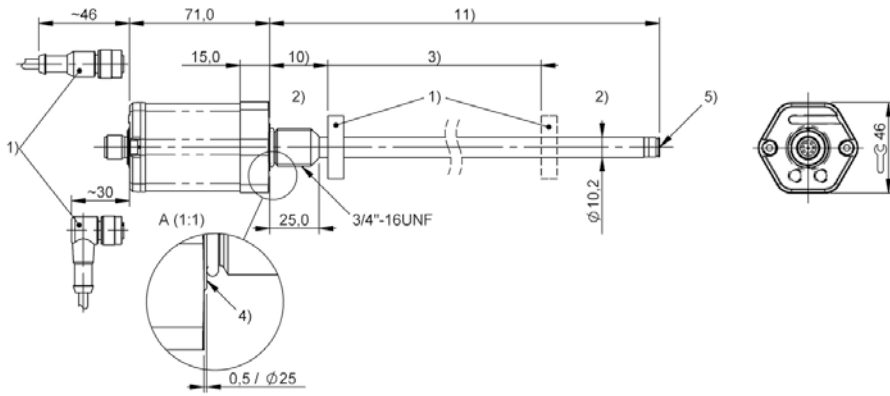
l Connection type

S = Connector

m Connection type characteristic 1

115 = M12x1 connector with 8 pins

BTL-V11V-Mxxxx-Z-S115



- 1) not included in scope of delivery
- 2) Non-usable area
- 3) Nominal length = Measuring length
- 4) Mounting surface
- 5) Internal threads M4x4/6 deep
- 10) Null point
- 11) Installation length



	BTL7 -ZE/ZF- SERIE - DIGITAL
Interface	Digital pulse
Measuring length	25...7620 mm
Repeat accuracy	$\leq \pm 5 \mu\text{m}$
Linearity deviation	nmm = 0025...5500: $\pm 50 \mu\text{m}$, nmm > 5500: $\pm 0.02\%$ FS
Operating voltage U_b	10...30 VDC
Ambient temperature	-40...85 °C
Mechanical configuration	Fastening 3/4" threads
Housing material	Stainless steel (1.4404)
IP rating	IP69K
Approval/Conformity	I = S, KA: CE + cULus + EAC + WEEE I = FA: CE + EAC + WEEE
Ex category	—

BTL7-abcd-Mnnnn-fg-lm

BTL7

Magnetostrictive linear position sensor
Generation 7

a interface

P = Digital pulse interface

b Operating voltage

5 = 10 ... 30 V

c Interface characteristic 1

1 = Digital start/stop interface

d Interface characteristic 2

1 = DPI/IP communication interface

Mnnnn Nominal length (4-position)

M0500 = metric in mm
(M0025...M1016: for rod diameter
8 mm)
(M0025...M7620: for rod diameter
10.2 mm)

f Style

Y = Inch threads 3/4"-16UNF, for flat
seal

Z = Inch threads 3/4"-16UNF, for
O-Ring

g Form factor characteristic

8 = Rod diameter 8 mm
- = Rod diameter 10.2 mm

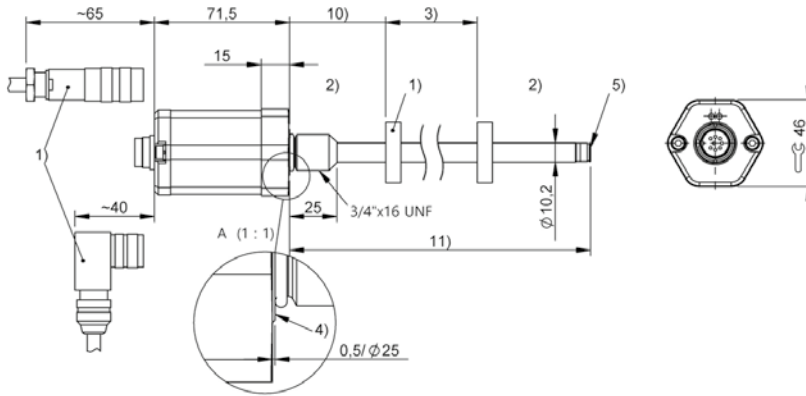
l Connection type

S = Connector
KA = Cable (PUR)
FA = Cable (PTFE)

m Connection type characteristic 1

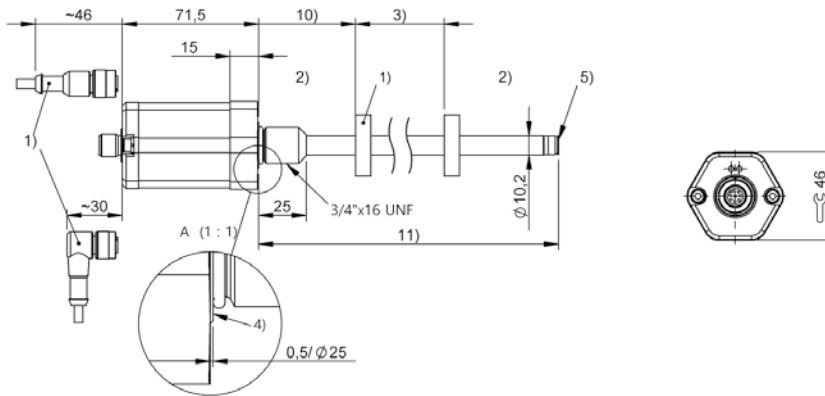
for connector:
32 = M16x0.75 connector with 8 pins
115 = M12x1 connector with 8 pins
135 = M16x0.75 connector with 6 pins
for cable (length in meters):
02, 05, 10, 15, 20, 30, 50, 100

BTL7-P511-Mxxxx-ZE-S32



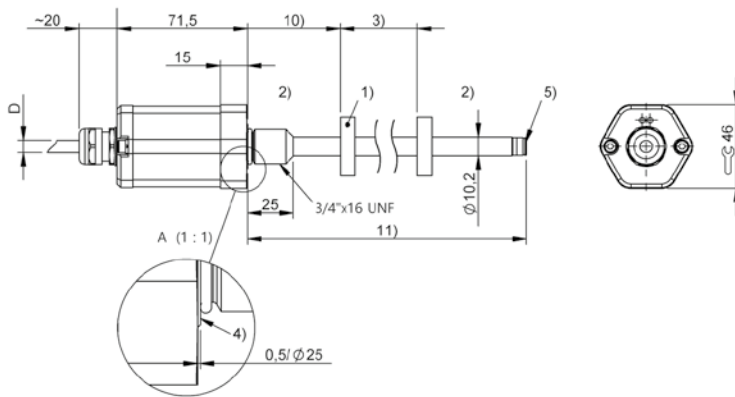
- 1) not included in scope of delivery
- 2) Non-usable area
- 3) Nominal length = Measuring length
- 4) Mounting surface
- 5) Internal threads M4x4/6 deep

BTL7-P511-Mxxxx-ZE-S115



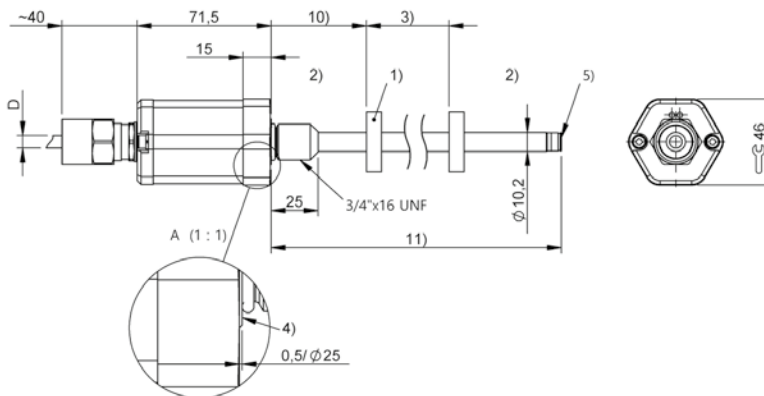
- 1) not included in scope of delivery
- 2) Non-usable area
- 3) Nominal length = Measuring length
- 4) Mounting surface
- 5) Internal threads M4x4/6 deep

BTL7-P511-Mxxxx-ZE-KA/FAxx



- 1) not included in scope of delivery
- 2) Non-usable area
- 3) Nominal length = Measuring length
- 4) Mounting surface
- 5) Internal threads M4x4/6 deep

BTL7-P511-Mxxxx-ZF-KA/FAxx



- 1) not included in scope of delivery
- 2) Non-usable area
- 3) Nominal length = Measuring length
- 4) Mounting surface
- 5) Internal threads M4x4/6 deep



	BTL7 -ZE/ZF- SERIE - SSI
Interface	SSI
Measuring length	25...7620 mm
Repeat accuracy	$\leq \pm 5 \mu\text{m}$
Linearity deviation	d = 1, 2, 3, 7: nnnn = 25...5500: $\pm 30\mu\text{m}$ d = 4, 5, 6, 8 nnnn = 25...5500: $\pm 2 \text{ LSB}$ nnnn > 5500: $\pm 0.02\% \text{ FS}$
Operating voltage U_b	10...30 VDC
Ambient temperature	-40...85 °C
Mechanical configuration	Fastening 3/4" threads
Housing material	Stainless steel (1.4404)
IP rating	IP69K
Approval/Conformity	I = S, KA: CE + cULus + EAC + WEEE I = FA: CE + EAC + WEEE
Ex category	—

BTL7-abcde-Mnnnn-fg-Im

BTL7

Magnetostrictive linear position sensor
Generation 7

a interface

S = SSI

b Operating voltage

5 = 10 ... 30 V

c Interface characteristic 1

0 = 24 bits, binary, rising
1 = 24 bits, gray, rising
2 = 24 bits, binary, falling
3 = 24 bits, gray, falling
6 = 25 bits, binary, rising
7 = 25 bits, gray, rising
8 = 25 bits, binary, falling
9 = 25 bits, gray, falling
A = 26 bits, binary, rising
B = 26 bits, gray, rising
C = 26 bits, binary, falling
D = 26 bits, gray, falling

d Interface characteristic 2

1 = 1 μm
2 = 5 μm
3 = 10 μm
4 = 20 μm
5 = 40 μm
6 = 100 μm
7 = 2 μm
8 = 50 μm

e Interface characteristic 3

B = Synchronous mode
- = Asynchronous mode

Mnnnn Nominal length (4-position)

M0500 = metric in mm
(M0025...M1016: for rod diameter
8 mm)
(M0025...M7620: for rod diameter
10.2 mm)

f Style

Y = Inch threads 3/4"-16UNF,
for flat seal
Z = Inch threads 3/4"-16UNF,
for O-Ring

g Form factor characteristic

8 = Rod diameter 8 mm
- = Rod diameter 10.2 mm

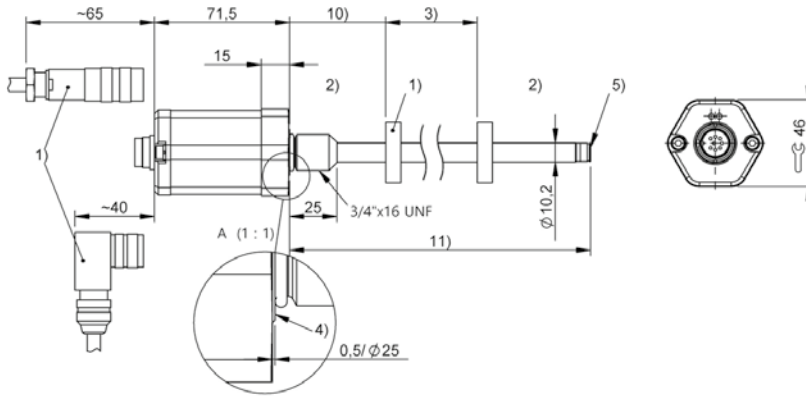
I Connection type

S = Connector
KA = Cable (PUR)
FA = Cable (PTFE)

m Connection type characteristic 1

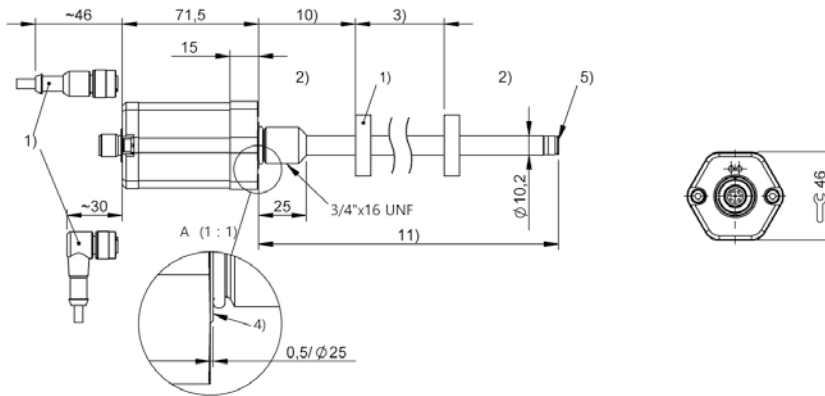
for connector:
32 = M16x0.75 connector with 8 pins
115 = M12x1 connector with 8 pins
140 = MS, 10-pin
147 = M16x0.75 connector with 7 pins
for cable (length in meters):
02, 05, 10, 15, 20, 30, 50, 100

BTL7-S510x-Mxxxx-ZE-S32



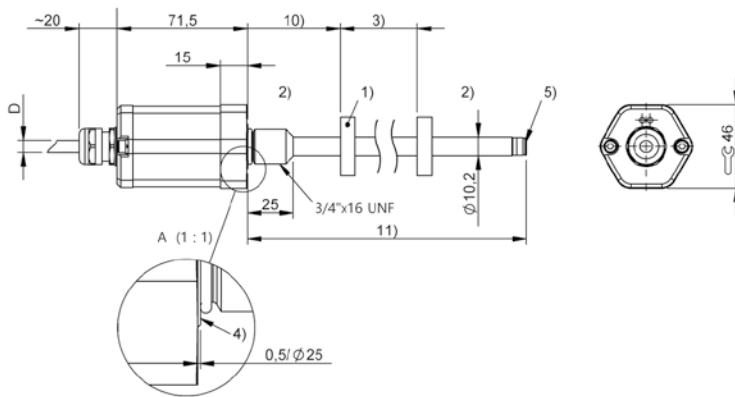
- 1) not included in scope of delivery
- 2) Non-usable area
- 3) Nominal length = Measuring length
- 4) Mounting surface
- 5) Internal threads M4x4/6 deep

BTL7-S5xxx-Mxxxx-ZE-S115



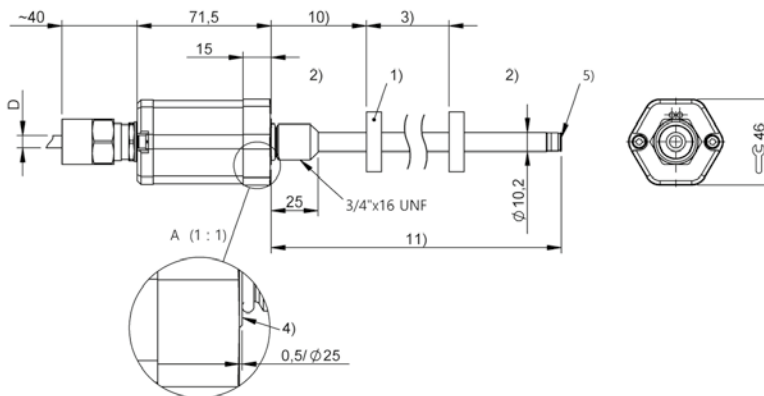
- 1) not included in scope of delivery
- 2) Non-usable area
- 3) Nominal length = Measuring length
- 4) Mounting surface
- 5) Internal threads M4x4/6 deep

BTL7-S5xxx-Mxxxx-ZE-KA/FAxx



- 1) not included in scope of delivery
- 2) Non-usable area
- 3) Nominal length = Measuring length
- 4) Mounting surface
- 5) Internal threads M4x4/6 deep

BTL7-S5xxx-Mxxxx-ZF-KA/FAxx



- 1) not included in scope of delivery
- 2) Non-usable area
- 3) Nominal length = Measuring length
- 4) Mounting surface
- 5) Internal threads M4x4/6 deep



	BTL7 -CD- SERIES - ANALOG VOLTAGE
Interface	Analog, voltage
Measuring length	25...2000 mm
Repeat accuracy	± 10 µm
Linearity deviation	nmm = 0050...0500: ± 50 µm, nmm = 0501...2000: ± 0.01% FS
Operating voltage Ub	10...30 VDC
Ambient temperature	-40...85 °C
Mechanical configuration	Fastening M22 threads
Housing material	Aluminum, Anodized
IP rating	I = S: IP67 with connector I = KA: IP68
Approval/Conformity	I = S, KA: CE + cULus + EAC + WEEE I = FA: CE + EAC + WEEE
Ex category	—

BTL7-abcd-Mnnnn-f-lm

BTL7

Magnetostrictive linear position sensor
Generation 7

a interface

A = Voltage output 0 ... 10 V
G = voltage output -10 ... 10 V

b Operating voltage

1 = 20 ... 28 V
5 = 10 ... 30 V

c + d Interface characteristic 1 + 2

01 = 2 outputs, each 1 x rising/falling
settable/programmable
10 = 2 outputs, each 1 x rising/falling

Mnnnn Nominal length (4-position)

M0500 = metric in mm
(M0025...M2000)

f Style

CD = Mounting threads M22x1.5,
for O-Ring

l Connection type

S = Connector
KA = Cable (PUR)
FA = Cable (PTFE)

m Connection type characteristic 1

for connector:

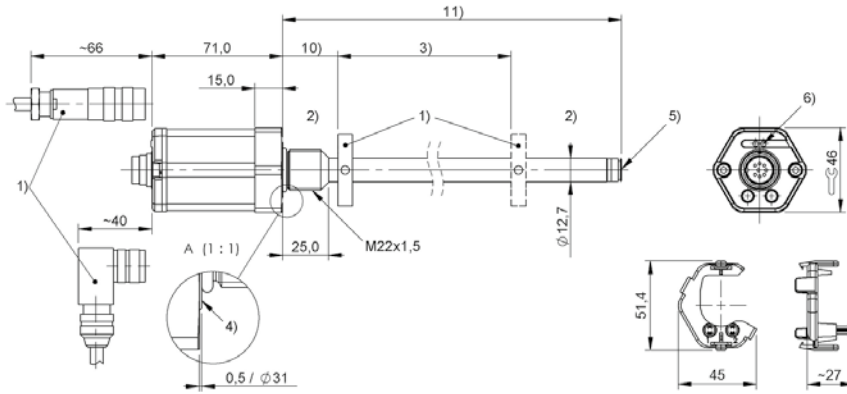
32 = M16x0.75 connector with 8 pins

115 = M12x1 connector with 8 pins

for cable (length in meters):

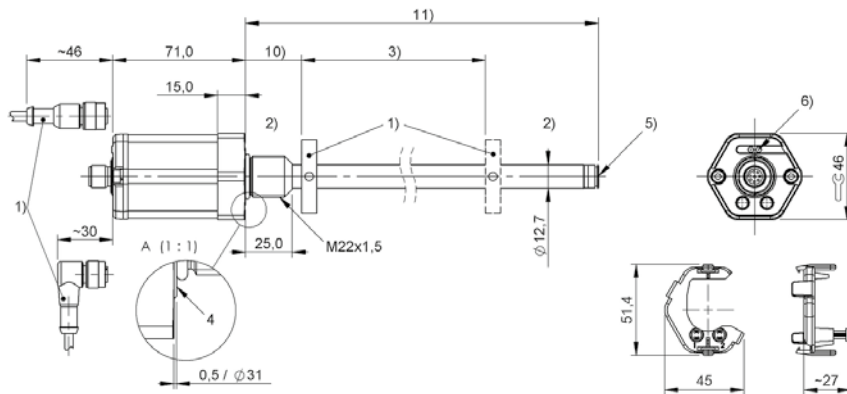
02, 05, 10, 15, 20, 30

BTL7-A501-Mxxxx-CD-S32



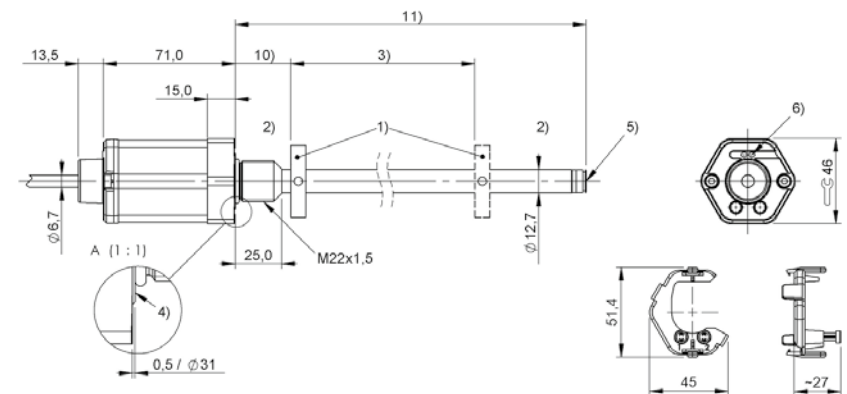
- 1) not included in scope of delivery
- 2) Non-usable area
- 3) Nominal length = Measuring length
- 4) Mounting surface
- 5) Internal threads M4x4/6 deep
- 6) LED function indicator
- 10) Null point
- 11) Installation length

BTL7-G510-Mxxxx-CD-S115



- 1) not included in scope of delivery
- 2) Non-usable area
- 3) Nominal length = Measuring length
- 4) Mounting surface
- 5) Internal threads M4x4/6 deep
- 6) LED function indicator
- 10) Null point
- 11) Installation length

BTL7-A510-Mxxxx-CD-KAxx



- 1) not included in scope of delivery
- 2) Non-usable area
- 3) Nominal length = Measuring length
- 4) Mounting surface
- 5) Internal threads M4x4/6 deep
- 6) LED function indicator
- 10) Null point
- 11) Installation length



	BTL7 -CD- SERIES - ANALOG CURRENT
Interface	Analog, current
Measuring length	25...2000 mm
Repeat accuracy	± 5 µm
Linearity deviation	nmm = 0050...0500: ± 50 µm, nmm = 0501...2000: ± 0.01% FS
Operating voltage Ub	10...30 VDC
Ambient temperature	-40...85 °C
Mechanical configuration	Fastening M22 threads
Housing material	Aluminum, Anodized
IP rating	I = S: IP67 with connector I = KA: IP68
Approval/Conformity	I = S, KA: CE + cULus + EAC + WEEE I = FA: CE + EAC + WEEE
Ex category	—

BTL7-abcd-Mnnnn-f-lm

BTL7

Magnetostrictive linear position sensor
Generation 7

a interface

C = Current output 0 ... 20 mA
E = Current output 4 ... 20 mA

b Operating voltage

5 = 10 ... 30 V

c + d Interface characteristic 1 + 2

01 = 2 outputs, each 1 x rising/falling
settable/programmable
00 = 1 output, rising
70 = 1 output, falling

Mnnnn Nominal length (4-position)

M0500 = metric in mm
(M0025...M2000)

f Style

CD = Mounting threads M22x1.5,
for O-Ring

l Connection type

S = Connector
KA = Cable (PUR)
FA = Cable (PTFE)

m Connection type characteristic 1

for connector:

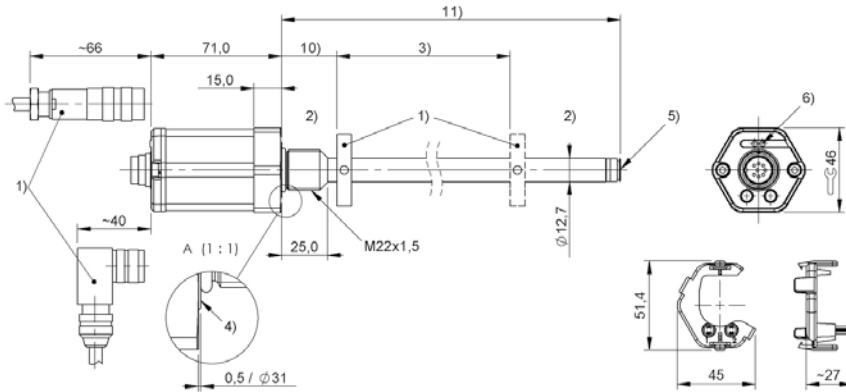
32 = M16x0.75 connector with 8 pins

115 = M12x1 connector with 8 pins

for cable (length in meters):

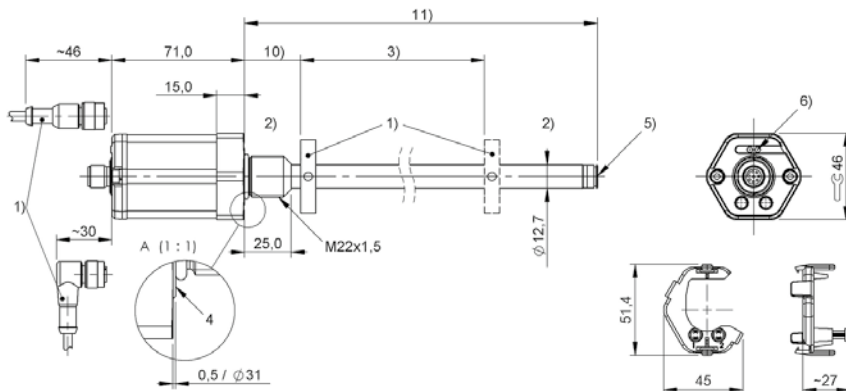
02, 05, 10, 15, 20, 50, 100

BTL7-E501-Mxxxx-CD-S32



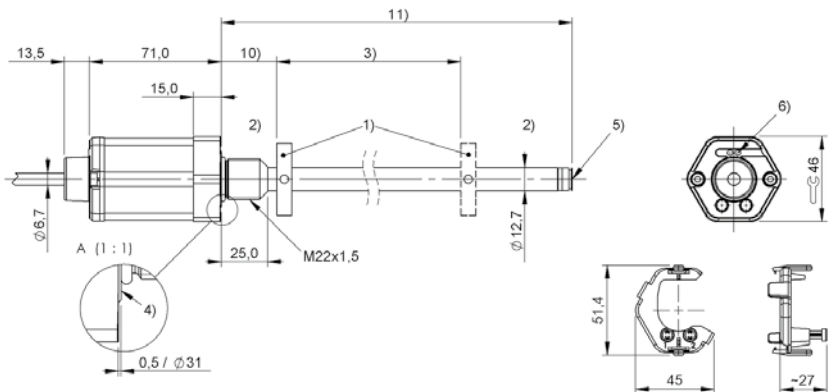
- 1) not included in scope of delivery
- 2) Non-usable area
- 3) Nominal length = Measuring length
- 4) Mounting surface
- 5) Internal threads M4x4/6 deep
- 6) LED function indicator
- 10) Null point
- 11) Installation length

BTL7-C500-Mxxxx-CD-S115



- 1) not included in scope of delivery
- 2) Non-usable area
- 3) Nominal length = Measuring length
- 4) Mounting surface
- 5) Internal threads M4x4/6 deep
- 6) LED function indicator
- 10) Null point
- 11) Installation length

BTL7-E570-Mxxxx-CD-KAxx



- 1) not included in scope of delivery
- 2) Non-usable area
- 3) Nominal length = Measuring length
- 4) Mounting surface
- 5) Internal threads M4x4/6 deep
- 6) LED function indicator
- 10) Null point
- 11) Installation length



	BTL7 -CD- SERIES - DIGITAL
Interface	Digital pulse
Measuring length	25...2000 mm
Repeat accuracy	$\leq \pm 5 \mu\text{m}$
Linearity deviation	nmm = 0025...2000: $\pm 50 \mu\text{m}$
Operating voltage U_b	10...30 VDC
Ambient temperature	-40...85 °C
Mechanical configuration	Fastening M22 threads
Housing material	Aluminum, Anodized
IP rating	I = S: IP67 with connector I = KA: IP68
Approval/Conformity	I = S, KA: CE + cULus + EAC + WEEE I = FA: CE + EAC + WEEE
Ex category	—

BTL7-abcd-Mnnnn-f-lm

BTL7

Magnetostrictive linear position sensor
Generation 7

a interface

P = Digital pulse interface

b Operating voltage

5 = 10 ... 30 V

c Interface characteristic 1

1 = Digital start/stop interface

d Interface characteristic 2

1 = DPI/IP communication interface

Mnnnn Nominal length (4-position)

M0500 = metric in mm
(M0025...M2000)

f Style

CD = Mounting threads M22x1.5,
for O-Ring

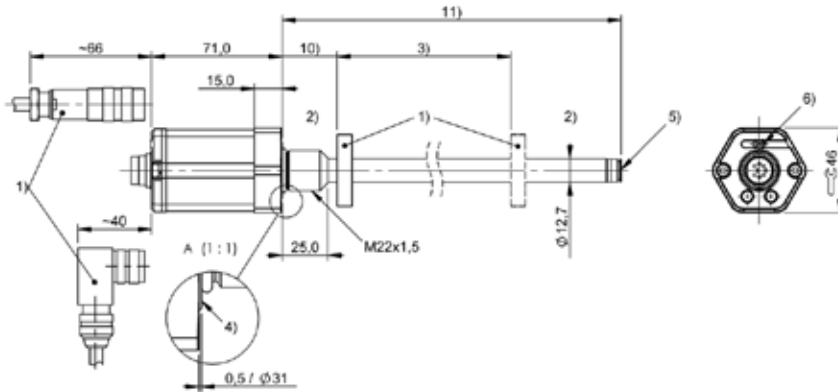
I Connection type

S = Connector
KA = Cable (PUR)
FA = Cable (PTFE)

m Connection type characteristic 1

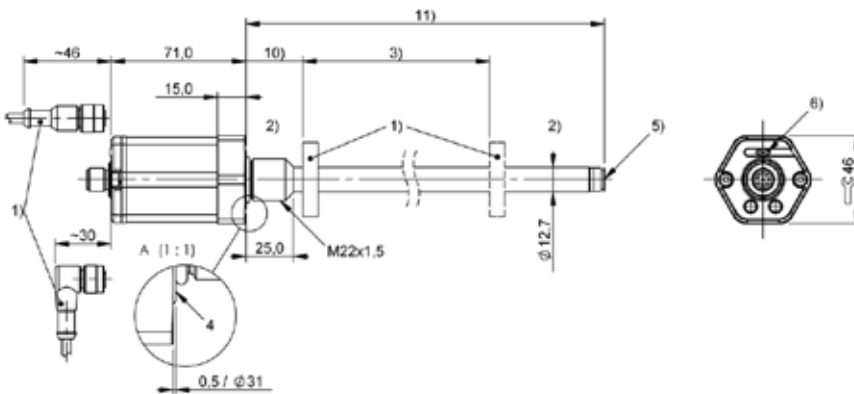
for connector:
32 = M16x0.75 connector with 8 pins
115 = M12x1 connector with 8 pins
for cable (length in meters):
02, 05, 10, 15, 20, 30, 50, 100

BTL7-P511-Mxxxx-CD-S32



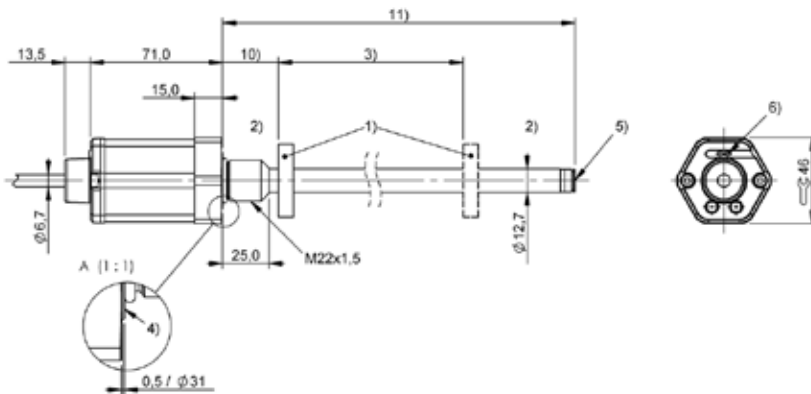
- 1) not included in scope of delivery
- 2) Non-usable area
- 3) Nominal length = Measuring length
- 4) Mounting surface
- 5) Internal threads M4x4/6 deep
- 6) LED function indicator
- 10) Null point
- 11) Installation length

BTL7-P511-Mxxxx-CD-S115



- 1) not included in scope of delivery
- 2) Non-usable area
- 3) Nominal length = Measuring length
- 4) Mounting surface
- 5) Internal threads M4x4/6 deep
- 6) LED function indicator
- 10) Null point
- 11) Installation length

BTL7-P511-Mxxxx-CD-KAxx



- 1) not included in scope of delivery
- 2) Non-usable area
- 3) Nominal length = Measuring length
- 4) Mounting surface
- 5) Internal threads M4x4/6 deep
- 6) LED function indicator
- 10) Null point
- 11) Installation length



	BTL7 -CD- SERIES - SSI
Interface	SSI
Measuring length	25...2000 mm
Repeat accuracy	$\leq \pm 5 \mu\text{m}$
Linearity deviation	d = 1, 2, 3, 7: $\pm 30\mu\text{m}$, d = 4, 5, 6, 8: $\pm 2 \text{ LSB}$
Operating voltage U_b	10...30 VDC
Ambient temperature	-40...85 °C
Mechanical configuration	Fastening M22 threads
Housing material	Aluminum, Anodized
IP rating	I = S: IP67 with connector I = KA: IP68
Approval/Conformity	I = S, KA: CE + cULus + EAC + WEEE I = FA: CE + EAC + WEEE
Ex category	—

BTL7-abcde-Mnnnn-f-lm

BTL7

Magnetostrictive linear position sensor
Generation 7

a interface

S = SSI

b Operating voltage

5 = 10 ... 30 V

c Interface characteristic 1

0 = 24 bits, binary, rising
1 = 24 bits, gray, rising
2 = 24 bits, binary, falling
3 = 24 bits, gray, falling
6 = 25 bits, binary, rising
7 = 25 bits, gray, rising
8 = 25 bits, binary, falling
9 = 25 bits, gray, falling
A = 26 bits, binary, rising
B = 26 bits, gray, rising
C = 26 bits, binary, falling
D = 26 bits, gray, falling

d Interface characteristic 2

1 = 1 μm
2 = 5 μm
3 = 10 μm
4 = 20 μm
5 = 40 μm
6 = 100 μm
7 = 2 μm
8 = 50 μm

e Interface characteristic 3

B = Synchronous mode
- = Asynchronous mode

Mnnnn Nominal length (4-position)

M0500 = metric in mm
(M0025...M2000)

f Style

CD = Mounting threads M22x1.5, for
O-Ring

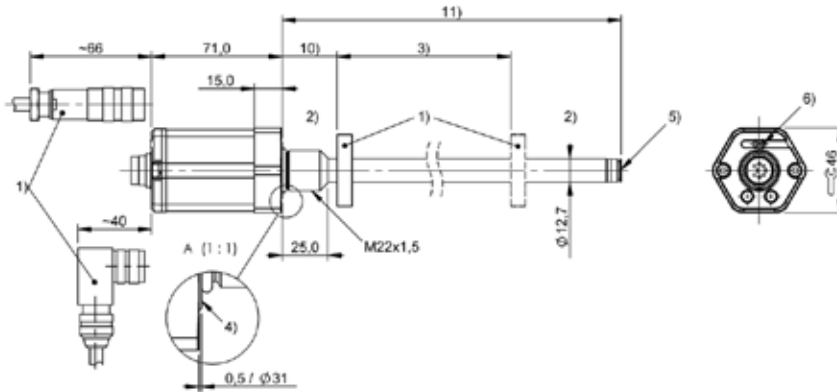
l Connection type

S = Connector
KA = Cable (PUR)
FA = Cable (PTFE)

m Connection type characteristic 1

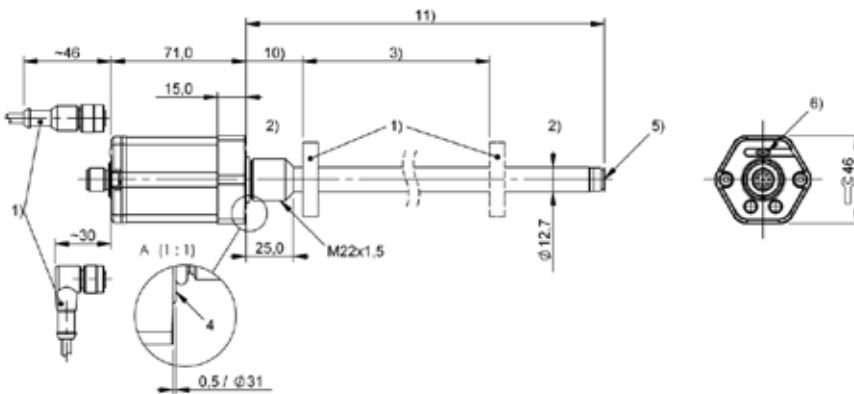
for connector:
32 = M16x0.75 connector with 8 pins
115 = M12x1 connector with 8 pins
for cable (length in meters):
02, 05, 10, 15, 20, 30, 50, 100

BTL7-S510x-Mxxxx-CD-S32



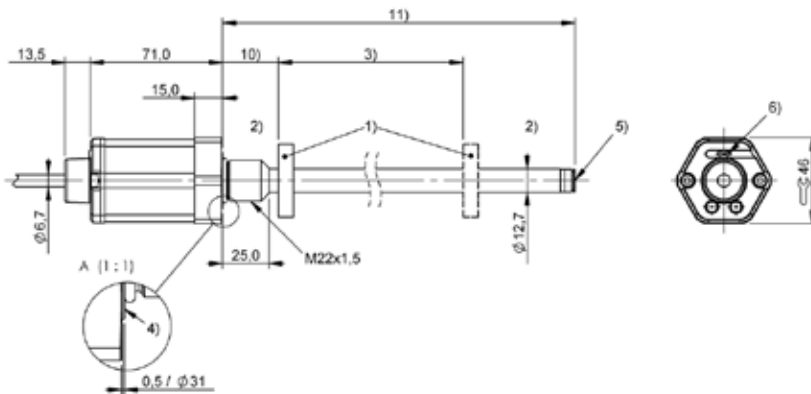
- 1) not included in scope of delivery
- 2) Non-usable area
- 3) Nominal length = Measuring length
- 4) Mounting surface
- 5) Internal threads M4x4/6 deep
- 6) LED function indicator
- 10) Null point
- 11) Installation length

BTL7-S5xxx-Mxxxx-CD-S115



- 1) not included in scope of delivery
- 2) Non-usable area
- 3) Nominal length = Measuring length
- 4) Mounting surface
- 5) Internal threads M4x4/6 deep
- 6) LED function indicator
- 10) Null point
- 11) Installation length

BTL7-S5xxx-Mxxxx-CD-KAxx



- 1) not included in scope of delivery
- 2) Non-usable area
- 3) Nominal length = Measuring length
- 4) Mounting surface
- 5) Internal threads M4x4/6 deep
- 6) LED function indicator
- 10) Null point
- 11) Installation length



	BTL7 -CE- SERIE - DIGITAL
Interface	Digital pulse
Measuring length	25...2000 mm
Repeat accuracy	$\leq \pm 5 \mu\text{m}$
Linearity deviation	nmmn = 0025...2000: $\pm 50 \mu\text{m}$
Operating voltage U_b	10...30 VDC
Ambient temperature	-40...85 °C
Mechanical configuration	Fastening M22 threads
Housing material	Stainless steel (1.4404)
IP rating	IP69K
Approval/Conformity	I = S, KA: CE + cULus + EAC + WEEE I = FA: CE + EAC + WEEE
Ex category	—

BTL7-abcd-Mnnnn-f-lm

BTL7

Magnetostrictive linear position sensor
Generation 7

a interface

P = Digital pulse interface

b Operating voltage

5 = 10 ... 30 V

c Interface characteristic 1

1 = Digital start/stop interface

d Interface characteristic 2

1 = DPI/IP communication interface

Mnnnn Nominal length (4-position)

M0500 = metric in mm
(M0025...M2000)

f Style

CD = Mounting threads M22x1.5, f
or O-Ring

l Connection type

S = Connector
KA = Cable (PUR)
FA = Cable (PTFE)

m Connection type characteristic 1

for connector:

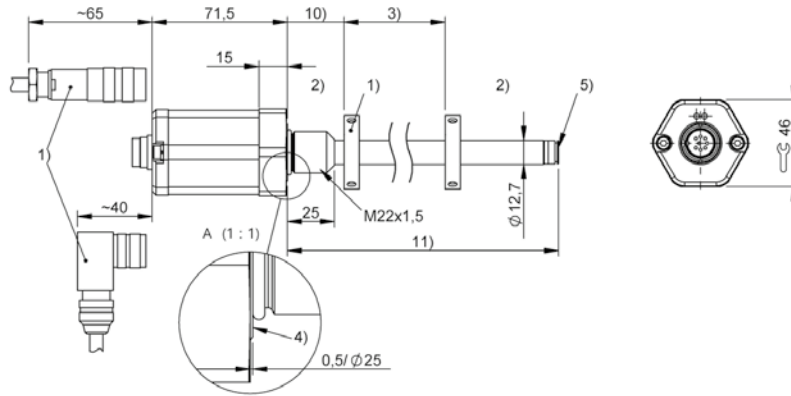
32 = M16x0.75 connector with 8 pins

115 = M12x1 connector with 8 pins

for cable (length in meters):

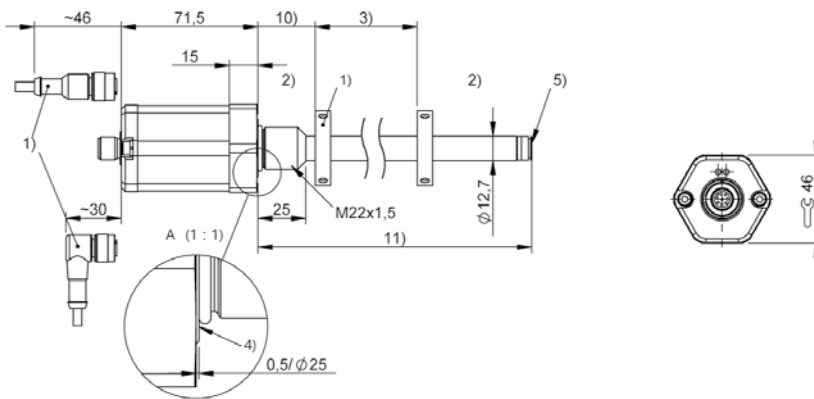
02, 05, 10, 15, 20, 30, 50, 100

BTL7-P511-Mxxxx-CE-S32



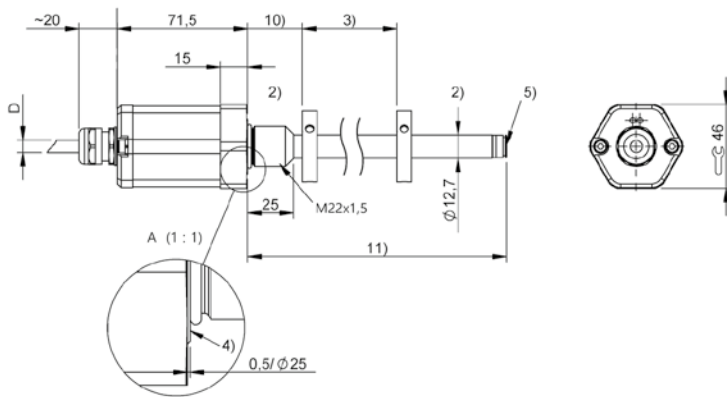
- 1) not included in scope of delivery
- 2) Non-usable area
- 3) Nominal length = Measuring length
- 4) Mounting surface
- 5) Internal threads M4x4/6 deep

BTL7-P511-Mxxxx-CE-S115



- 1) not included in scope of delivery
- 2) Non-usable area
- 3) Nominal length = Measuring length
- 4) Mounting surface
- 5) Internal threads M4x4/6 deep

BTL7-P511-Mxxxx-CE-KA/FAxx



- 1) not included in scope of delivery
- 2) Non-usable area
- 3) Nominal length = Measuring length
- 4) Mounting surface
- 5) Internal threads M4x4/6 deep



	BTL7 -CE- SERIE - SSI
Interface	SSI
Measuring length	25...2000 mm
Repeat accuracy	$\leq \pm 5 \mu\text{m}$
Linearity deviation	d = 1, 2, 3, 7: $\pm 30\mu\text{m}$, d = 4, 5, 6, 8: $\pm 2 \text{ LSB}$
Operating voltage U_b	10...30 VDC
Ambient temperature	-40...85 °C
Mechanical configuration	Fastening M22 threads
Housing material	Stainless steel (1.4404)
IP rating	IP69K
Approval/Conformity	I = S, KA: CE + cULus + EAC + WEEE I = FA: CE + EAC + WEEE
Ex category	—

BTL7-abcde-Mnnnn-f-lm

BTL7

Magnetostrictive linear position sensor
Generation 7

a interface

S = SSI

b Operating voltage

5 = 10 ... 30 V

c Interface characteristic 1

0 = 24 bits, binary, rising
1 = 24 bits, gray, rising
2 = 24 bits, binary, falling
3 = 24 bits, gray, falling
6 = 25 bits, binary, rising
7 = 25 bits, gray, rising
8 = 25 bits, binary, falling
9 = 25 bits, gray, falling
A = 26 bits, binary, rising
B = 26 bits, gray, rising
C = 26 bits, binary, falling
D = 26 bits, gray, falling

d Interface characteristic 2

1 = 1 μm
2 = 5 μm
3 = 10 μm
4 = 20 μm
5 = 40 μm
6 = 100 μm
7 = 2 μm
8 = 50 μm

e Interface characteristic 3

B = Synchronous mode
- = Asynchronous mode

Mnnnn Nominal length (4-position)

M0500 = metric in mm
(M0025...M2000)

f Style

CD = Mounting threads M22x1.5,
for O-Ring

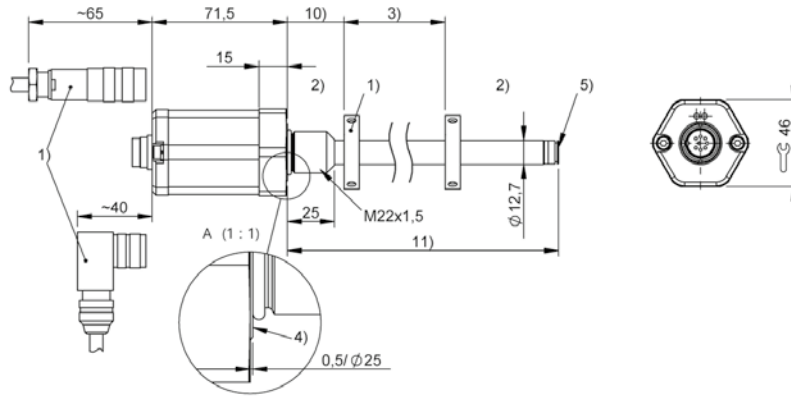
l Connection type

S = Connector
KA = Cable (PUR)
FA = Cable (PTFE)

m Connection type characteristic 1

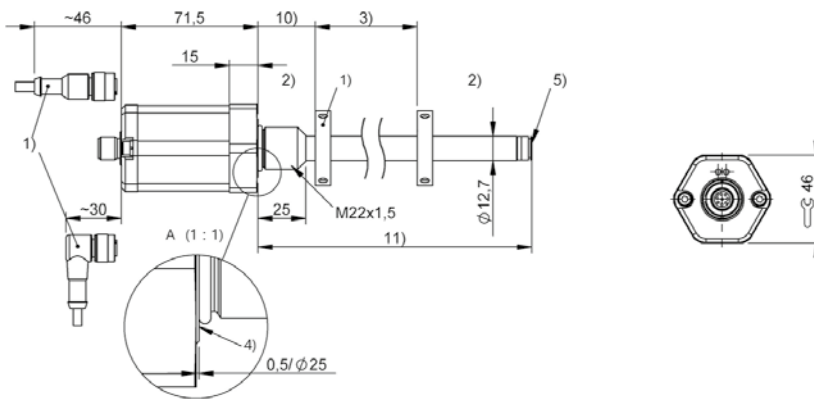
for connector:
32 = M16x0.75 connector with 8 pins
115 = M12x1 connector with 8 pins
for cable (length in meters):
02, 05, 10, 15, 20, 30, 50, 100

BTL7-S510-Mxxxx-CE-S32



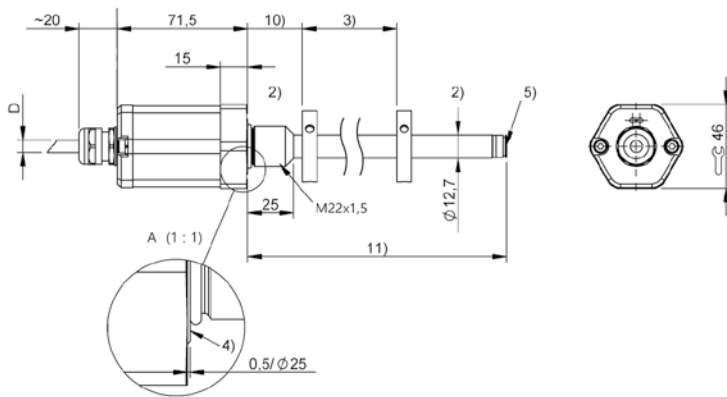
- 1) not included in scope of delivery
- 2) Non-usable area
- 3) Nominal length = Measuring length
- 4) Mounting surface
- 5) Internal threads M4x4/6 deep

BTL7-S5xx-Mxxxx-CE-S115



- 1) not included in scope of delivery
- 2) Non-usable area
- 3) Nominal length = Measuring length
- 4) Mounting surface
- 5) Internal threads M4x4/6 deep

BTL7-S5xx-Mxxxx-CE-KA/FAxx



- 1) not included in scope of delivery
- 2) Non-usable area
- 3) Nominal length = Measuring length
- 4) Mounting surface
- 5) Internal threads M4x4/6 deep



	BTL7 -H- SERIES - ANALOG VOLTAGE
Interface	Analog, voltage
Measuring length	25...7620 mm
Repeat accuracy	± 10 µm
Linearity deviation	nmm = 0050...0500: ± 50 µm, nmm = 0501...5500: ± 0.01% FS, nmm > 5500: ± 0.02% FS
Operating voltage Ub	10...30 VDC
Ambient temperature	-40...85 °C
Mechanical configuration	Fastening M18 threads
Housing material	Stainless steel (1.4305)
IP rating	I = S, SR: IP67 with connector I = K, KA, F, FA: IP68
Approval/Conformity	I = K, KA: CE + cULus + EAC + WEEE I = F, FA: CE + EAC + WEEE
Ex category	—

BTL7-abcd-Mnnnn-fg-lm

BTL7

Magnetostrictive linear position sensor
Generation 7

a interface

A = Voltage output 0 ... 10 V
G = voltage output -10 ... 10 V

b Operating voltage

5 = 10 ... 30 V

c + d Interface characteristic 1 + 2

10 = 2 outputs, each 1 x rising/falling

Mnnnn Nominal length (4-position)

M0500 = metric in mm
(M0025...M1016: for rod diameter
8 mm)
(M0025...M7620: for rod diameter
10.2 mm)

f Style

H = Compact rod, mounting threads
M18x1.5, for O-Ring

g Form factor characteristic

8 = Rod diameter 8 mm
- = Rod diameter 10.2 mm

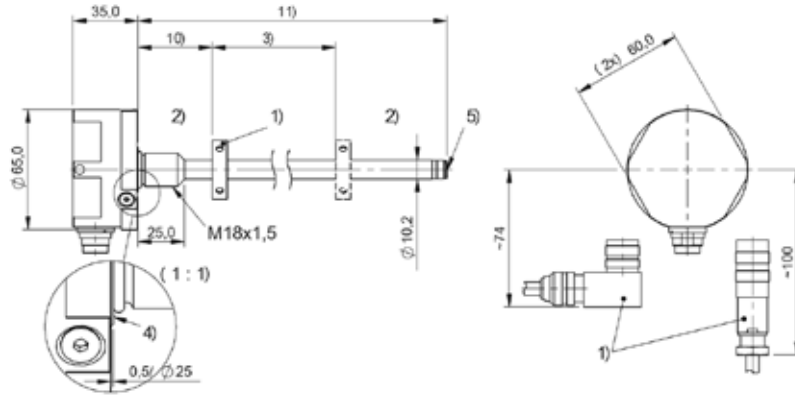
l Connection type

S = Connector
K = Cable out radial (PUR)
KA = Cable out axial (PUR)
F = Cable out radial (PTFE)
FA = Cable out axial (PTFE)

m Connection type characteristic 1 for connector:

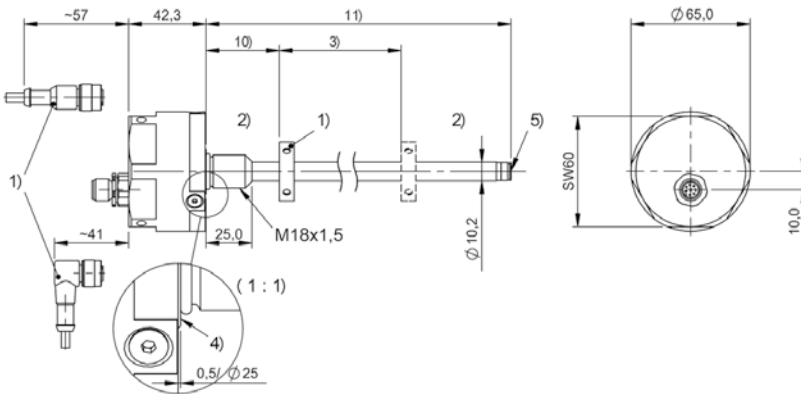
32 = M16x0.75 connector with 8 pins
115 = M12x1 connector with 8 pins
for cable (length in meters):
02, 05, 10, 15, 20, 30

BTL7-A510-Mxxxx-H-SR32



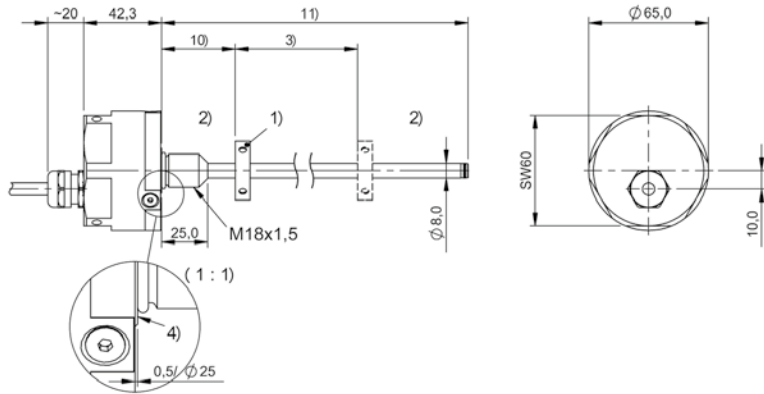
- 1) not included in scope of delivery
- 2) Non-usable area
- 3) Nominal length = Measuring length
- 4) Mounting surface
- 5) Internal threads M4x4/6 deep
- 10) Null point
- 11) Installation length

BTL7-G510-Mxxxx-H-S115



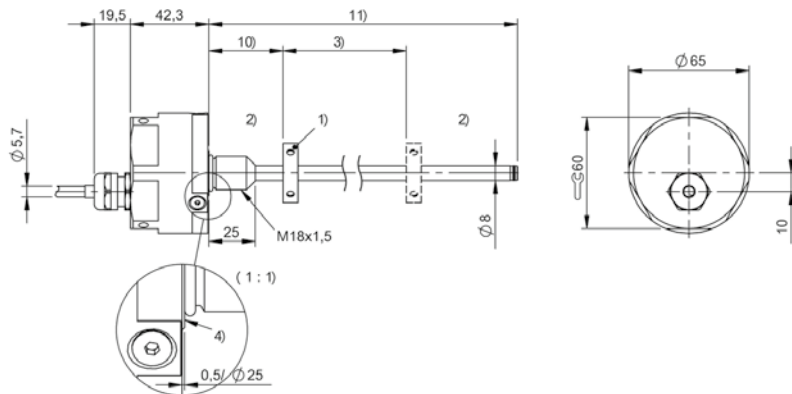
- 1) not included in scope of delivery
- 2) Non-usable area
- 3) Nominal length = Measuring length
- 4) Mounting surface
- 5) Internal threads M4x4/6 deep
- 10) Null point
- 11) Installation length

BTL7-A510-Mxxxx-H8-Kxx



- 1) not included in scope of delivery
- 2) Non-usable area
- 3) Nominal length = Measuring length
- 4) Mounting surface
- 10) Null point
- 11) Installation length

BTL7-G510-Mxxxx-H8-FAxx



- 1) not included in scope of delivery
- 2) Non-usable area
- 3) Nominal length = Measuring length
- 4) Mounting surface
- 10) Null point
- 11) Installation length



	BTL7 -H- SERIES - ANALOG CURRENT
Interface	Analog, current
Measuring length	25...7620 mm
Repeat accuracy	± 10 µm
Linearity deviation	nmm = 0050...0500: ± 50 µm, nmm = 0501...5500: ± 0.01% FS, nmm > 5500: ± 0.02% FS
Operating voltage Ub	10...30 VDC
Ambient temperature	-40...85 °C
Mechanical configuration	Fastening M18 threads
Housing material	Stainless steel (1.4305)
IP rating	I = S, SR: IP67 with connector I = K, KA, F, FA: IP68
Approval/Conformity	I = K, KA: CE + cULus + EAC + WEEE I = F, FA: CE + EAC + WEEE
Ex category	—

BTL7-abcd-Mnnnn-fg-lm

BTL7

Magnetostrictive linear position sensor
Generation 7

a interface

C = Current output 0 ... 20 mA
E = Current output 4 ... 20 mA

b Operating voltage

5 = 10 ... 30 V

c + d Interface characteristic 1 + 2

00 = 1 output, rising
70 = 1 output, falling

Mnnnn Nominal length (4-position)

M0500 = metric in mm
(M0025...M1016: for rod diameter
8 mm)
(M0025...M7620: for rod diameter
10.2 mm)

f Style

H = Compact rod, mounting threads
M18x1.5, for O-Ring

g Form factor characteristic

8 = Rod diameter 8 mm
- = Rod diameter 10.2 mm

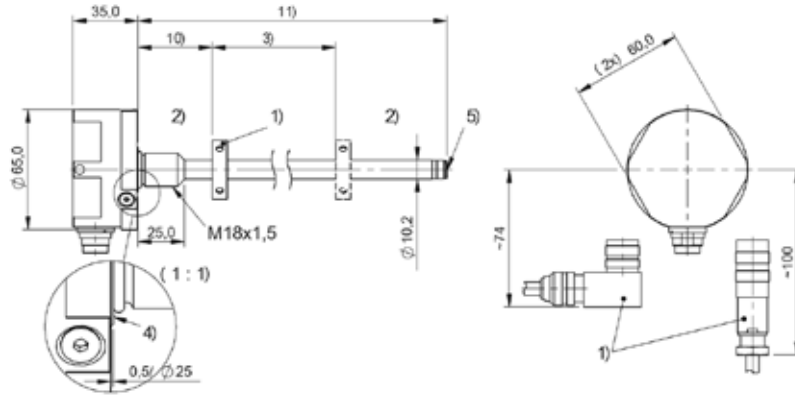
I Connection type

S = Connector
K = Cable out radial (PUR)
KA = Cable out axial (PUR)
F = Cable out radial (PTFE)
FA = Cable out axial (PTFE)

m Connection type characteristic 1 for connector:

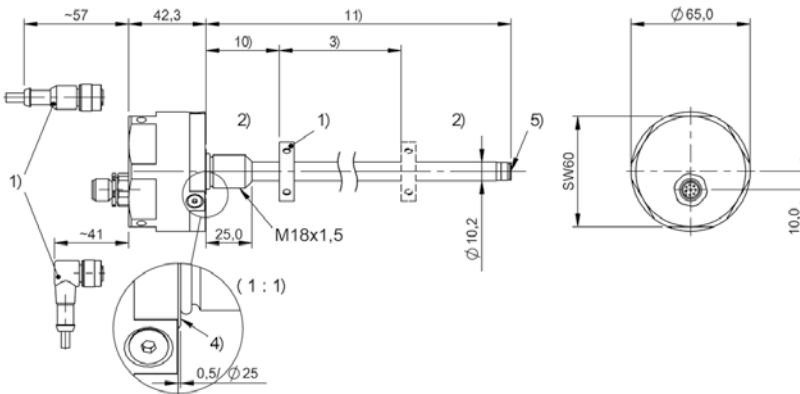
32 = M16x0.75 connector with 8 pins
115 = M12x1 connector with 8 pins
for cable (length in meters):
02, 05, 10, 15, 20, 50, 100

BTL7-E500-Mxxxx-H-SR32



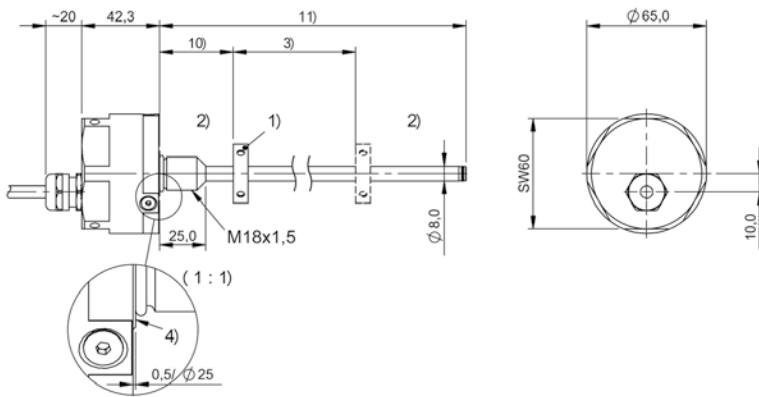
- 1) not included in scope of delivery
- 2) Non-usable area
- 3) Nominal length = Measuring length
- 4) Mounting surface
- 5) Internal threads M4x4/6 deep
- 10) Null point
- 11) Installation length

BTL7-C570-Mxxxx-H-S115



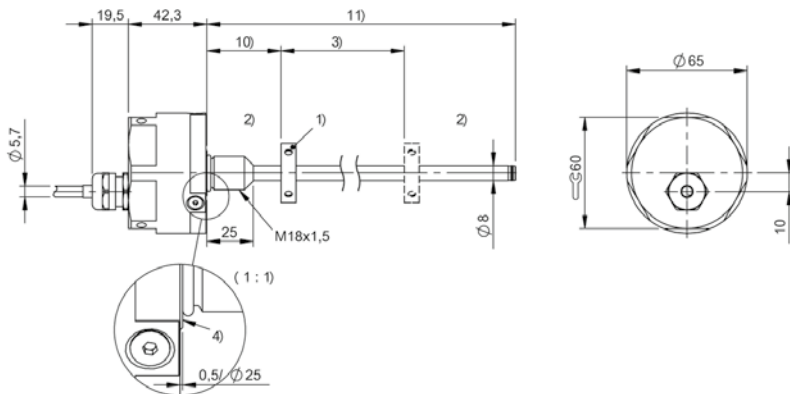
- 1) not included in scope of delivery
- 2) Non-usable area
- 3) Nominal length = Measuring length
- 4) Mounting surface
- 5) Internal threads M4x4/6 deep
- 10) Null point
- 11) Installation length

BTL7-E570-Mxxxx-H8-Kxx



- 1) not included in scope of delivery
- 2) Non-usable area
- 3) Nominal length = Measuring length
- 4) Mounting surface
- 10) Null point
- 11) Installation length

BTL7-C500-Mxxxx-H8-FAxx



- 1) not included in scope of delivery
- 2) Non-usable area
- 3) Nominal length = Measuring length
- 4) Mounting surface
- 10) Null point
- 11) Installation length



	BTL5 -H- SERIES - DIGITAL
Interface	Start/Stop
Measuring length	25...4000 mm
Repeat accuracy	2 µm
Linearity deviation	nmm = 0025...0500: ± 100 µm, nmm > 0500: ± 0.02% FS
Operating voltage Ub	20...28 VDC
Ambient temperature	-40...85 °C
Mechanical configuration	Fastening M18 threads
Housing material	Stainless steel (1.4305)
IP rating	I = S: IP67 with connector I = K: IP68
Approval/Conformity	CE cULus EAC WEEE
Ex category	—

BTL5-ab-Mnnnn-fg-lm

BTL5

Magnetostrictive linear position sensor
Generation 5

a interface

P = Digital pulse interface (falling edge stabilized)

M = Digital pulse interface (rising edge stabilized)

b Operating voltage

1 = 20 ... 28 V

Mnnnn Nominal length (4-position)

M0500 = metric in mm
(M0050...M4000)

f Style

H = Compact rod, mounting threads
M18x1.5, for O-Ring

g Form factor characteristic

8 = Rod diameter 8 mm

- = Rod diameter 10.2 mm

I Connection type

S = Connector, axial

SR = Connector, radial

K = Cable out radial (PUR)

KA = Cable out axial (PUR)

m Connection type characteristic 1

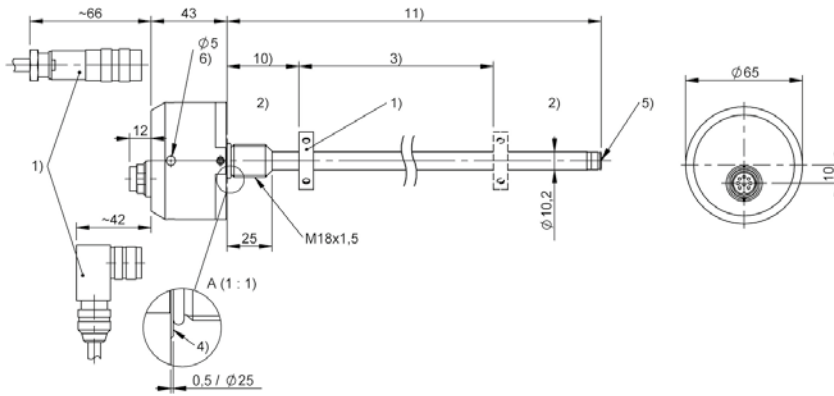
for connector:

32 = M16x0.75 connector with 8 pins

for cable (length in meters):

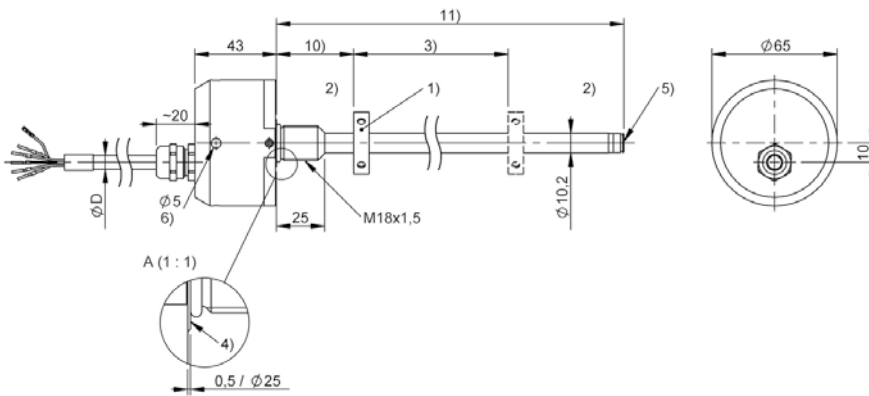
02, 05, 10, 15, 20

BTL5-P1-Mxxxx-H-S32



- 1) not included in scope of delivery
- 2) Non-usable area
- 3) Nominal length = Measuring length
- 4) Mounting surface
- 5) Internal threads M4x4/6 deep
- 6) for C-spanner \varnothing 58-62
- 10) Null point
- 11) Installation length

BTL5-P1-Mxxxx-H-KAxx



- 1) not included in scope of delivery
- 2) Non-usable area
- 3) Nominal length = Measuring length
- 4) Mounting surface
- 5) Internal threads M4x4/6 deep
- 6) for C-spanner \varnothing 58-62
- 10) Null point
- 11) Installation length



	BTL5 -H- SERIES - SSI
Interface	SSI
Measuring length	25...4000 mm
Repeat accuracy	± 1 LSB
Linearity deviation	d = 1, 2, 3, 7: nnnn = 25...4000: ± 30µm d = 4, 5, 6, 8 nnnn = 25...4000: ± 2 LSB
Operating voltage Ub	20...28 VDC
Ambient temperature	-40...85 °C
Mechanical configuration	Fastening M18 threads
Housing material	Stainless steel (1.4305)
IP rating	I = S: IP67 with connector I = K: IP68
Approval/Conformity	CE cULus EAC WEEE
Ex category	—

BTL5-abcde-Mnnnn-fg-lm

BTL5

Magnetostrictive linear position sensor
Generation 5

a interface

S = SSI

b Operating voltage

1 = 20 ... 28 V

c Interface characteristic 1

0 = 24 bits, binary, rising
1 = 24 bits, gray, rising
2 = 24 bits, binary, falling
3 = 24 bits, gray, falling
6 = 25 bits, binary, rising
7 = 25 bits, gray, rising
8 = 25 bits, binary, falling
9 = 25 bits, gray, falling

d Interface characteristic 2

1 = 1 µm
2 = 5 µm
3 = 10 µm
4 = 20 µm
5 = 40 µm
6 = 100 µm
7 = 2 µm
8 = 50 µm

e Interface characteristic 3

B = Synchronous mode
- = Asynchronous mode

Mnnnn Nominal length (4-position)

M0500 = metric in mm
(M0050...M4000)

f Style

H = Compact rod, mounting threads
M18x1.5, for O-Ring

g Form factor characteristic

8 = Rod diameter 8 mm
- = Rod diameter 10.2 mm

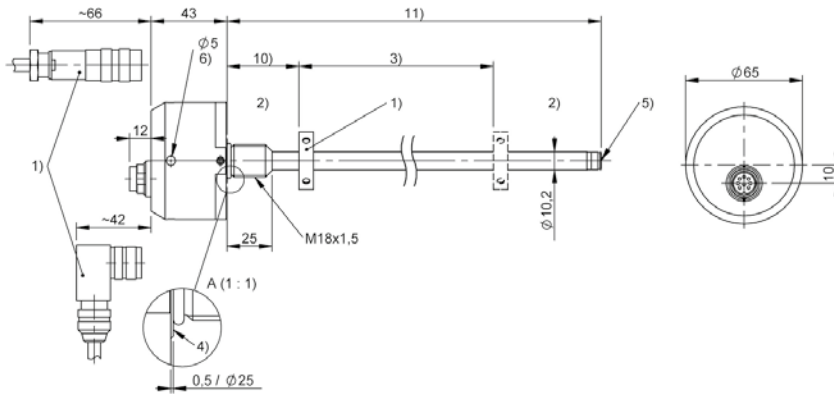
l Connection type

S = Connector, axial
SR = Connector, radial
K = Cable out radial (PUR)
KA = Cable out axial (PUR)

m Connection type characteristic 1

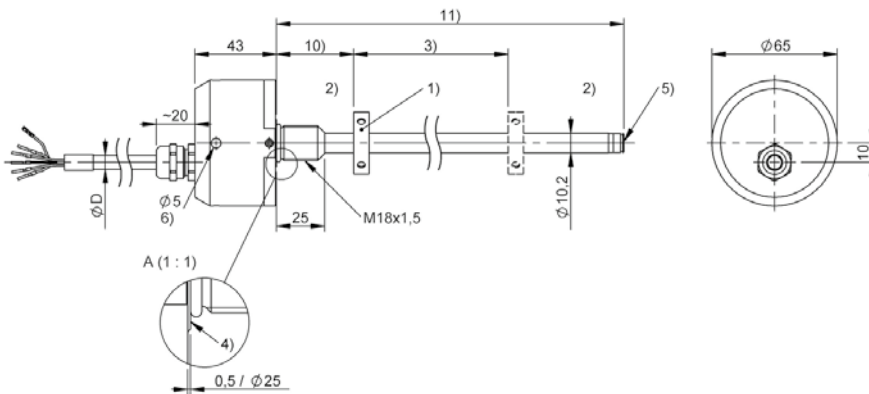
for connector:
32 = M16x0.75 connector with 8 pins
for cable (length in meters):
02, 05, 10, 15, 20

BTL5-Sxxxx-Mxxxx-H-S32



- 1) not included in scope of delivery
- 2) Non-usable area
- 3) Nominal length = Measuring length
- 4) Mounting surface
- 5) Internal threads M4x4/6 deep
- 6) for C-spanner \varnothing 58-62
- 10) Null point
- 11) Installation length

BTL5-Sxxxx-Mxxxx-H-KAxx



- 1) not included in scope of delivery
- 2) Non-usable area
- 3) Nominal length = Measuring length
- 4) Mounting surface
- 5) Internal threads M4x4/6 deep
- 6) for C-spanner \varnothing 58-62
- 10) Null point
- 11) Installation length



	BTL5 -H- SERIES - CANOPEN
Interface	CANopen
Measuring length	25...4000 mm
Repeat accuracy	± 1 LSB
Linearity deviation	±30 µm
Operating voltage Ub	20...28 VDC
Ambient temperature	-40...85 °C
Mechanical configuration	Fastening M18 threads
Housing material	Stainless steel (1.4305)
IP rating	I = S: IP67 with connector I = K: IP68
Approval/Conformity	CE cULus EAC WEEE
Ex category	—

BTL5-abcd-Mnnnn-fg-lm

BTL5

Magnetostrictive linear position sensor
Generation 5

a interface

H = CANopen

b Operating voltage

1 = 20 ... 28 V

c Interface characteristic 1

1 = 1 magnet
2 = 2 magnets
3 = 4 magnets

d Interface characteristic 2

Data transmission rate:

0 = 1 MBaud
1 = 800 MBaud
2 = 500 kBaud
3 = 250 kBaud
4 = 125 kBaud
5 = 100 kBaud
6 = 50 kBaud
7 = 25 kBaud
8 = 10 kBaud

Mnnnn Nominal length (4-position)

M0500 = metric in mm
(M0050...M4000)

f Style

H = Compact rod, mounting threads
M18x1.5, for O-Ring

g Form factor characteristic

8 = Rod diameter 8 mm
- = Rod diameter 10.2 mm

l Connection type

S = Connector, axial
SR = Connector, radial
K = Cable out radial (PUR)
KA = Cable out axial (PUR)

m Connection type characteristic

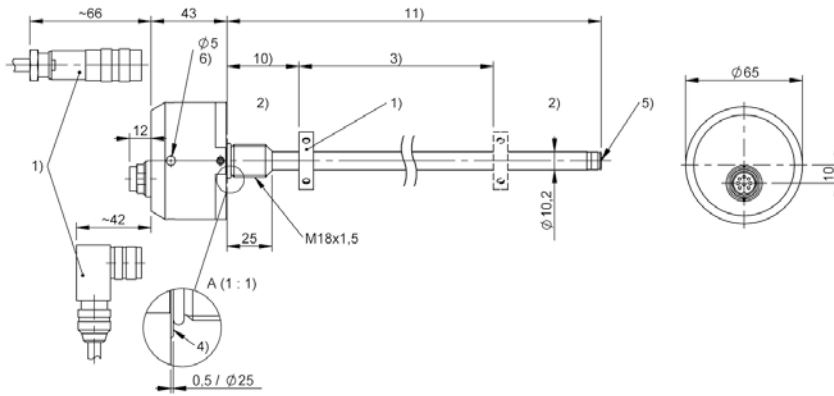
for connector:

92 = M12x1 connector with 5 pins

for cable (length in meters):

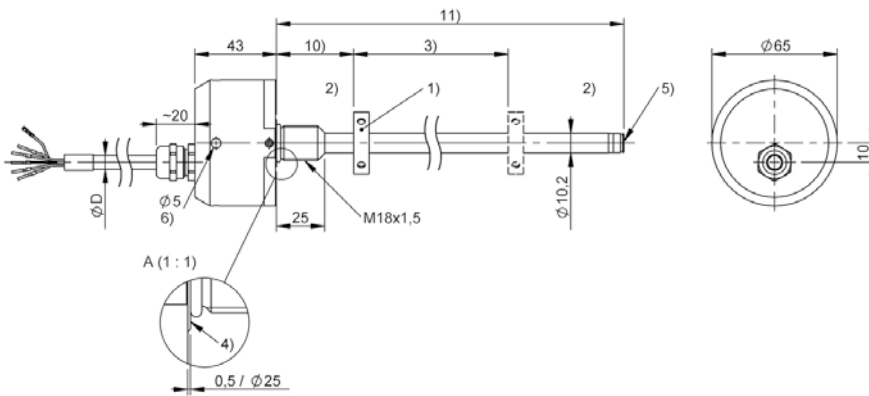
02, 05, 10, 15, 20

BTL5-Hxxx-Mxxxx-H-SR92



- 1) not included in scope of delivery
- 2) Non-usable area
- 3) Nominal length = Measuring length
- 4) Mounting surface
- 5) Internal threads M4x4/6 deep
- 6) for C-spanner Ø 58-62
- 10) Null point
- 11) Installation length

BTL5-Hxxx-Mxxxx-H-KAxx



- 1) not included in scope of delivery
- 2) Non-usable area
- 3) Nominal length = Measuring length
- 4) Mounting surface
- 5) Internal threads M4x4/6 deep
- 6) for C-spanner Ø 58-62
- 10) Null point
- 11) Installation length



	BTL7 -W- SERIES - ANALOG VOLTAGE
Interface	Analog, voltage
Measuring length	25...7620 mm
Repeat accuracy	± 10 µm
Linearity deviation	nmm = 0050...0500: ± 50 µm, nmm = 0501...5500: ± 0.01% FS, nmm > 5500: ± 0.02% FS
Operating voltage U_b	10...30 VDC
Ambient temperature	-40...85 °C
Mechanical configuration	Fastening 3/4" threads
Housing material	Stainless steel (1.4305)
IP rating	I = S, SR: IP67 with connector I = K, KA, F, FA: IP68
Approval/Conformity	I = K, KA: CE + cULus + EAC + WEEE I = F, FA: CE + EAC + WEEE
Ex category	—

BTL7-abcd-Mnnnn-fg-Im

BTL7

Magnetostrictive linear position sensor
Generation 7

a interface

A = Voltage output 0 ... 10 V
G = voltage output -10 ... 10 V

b Operating voltage

5 = 10 ... 30 V

c + d Interface characteristic 1 + 2

10 = 2 outputs, each 1 x rising/falling

Mnnnn Nominal length (4-position)

M0500 = metric in mm
(M0025...M1016: for rod diameter
8 mm)
(M0025...M7620: for rod diameter
10.2 mm)

f Style

W = Compact rod, threads 3/4"-16UNF,
for O-Ring

g Form factor characteristic

8 = Rod diameter 8 mm
- = Rod diameter 10.2 mm

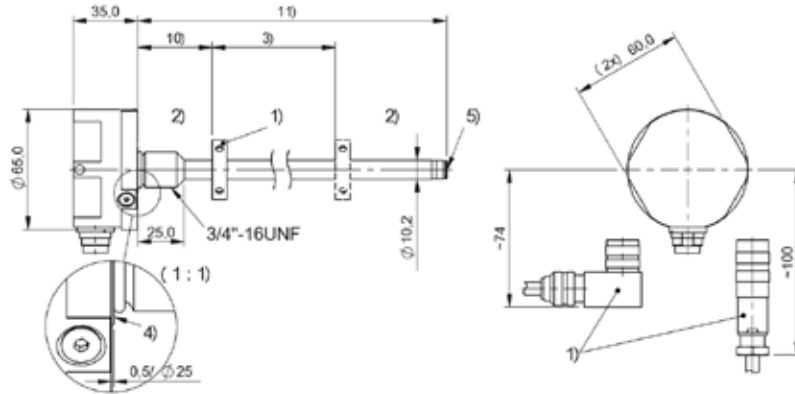
I Connection type

S = Connector
K = Cable out radial (PUR)
KA = Cable out axial (PUR)
F = Cable out radial (PTFE)
FA = Cable out axial (PTFE)

m Connection type characteristic 1

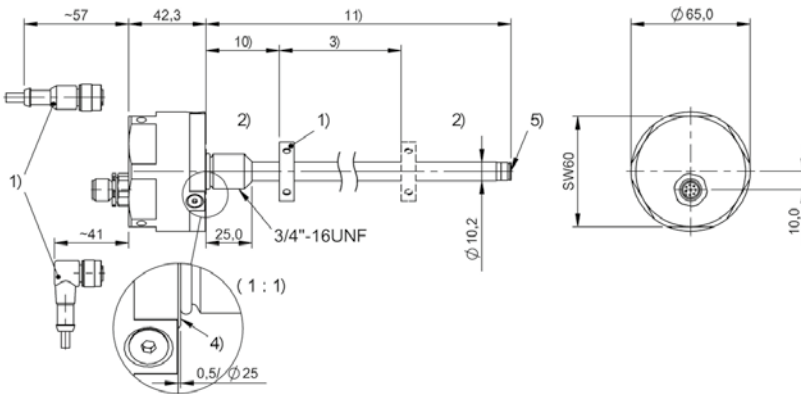
for connector:
32 = M16x0.75 connector with 8 pins
115 = M12x1 connector with 8 pins
for cable (length in meters):
02, 05, 10, 15, 20, 30

BTL7-A510-Mxxxx-W-SR32



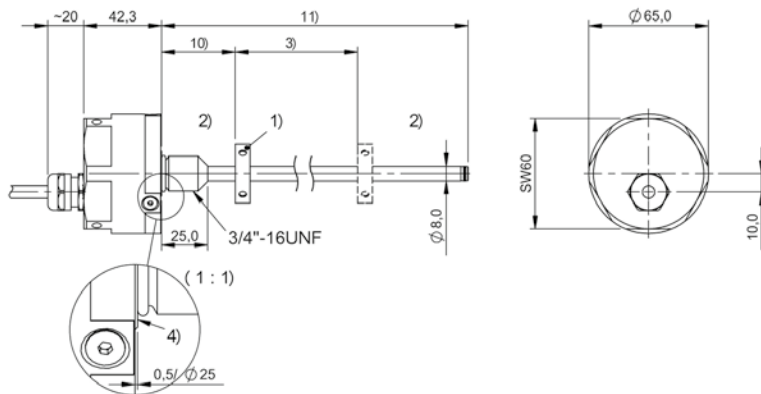
- 1) not included in scope of delivery
- 2) Non-usable area
- 3) Nominal length = Measuring length
- 4) Mounting surface
- 5) Internal threads M4x4/6 deep
- 10) Null point
- 11) Installation length

BTL7-G510-Mxxxx-W-S115



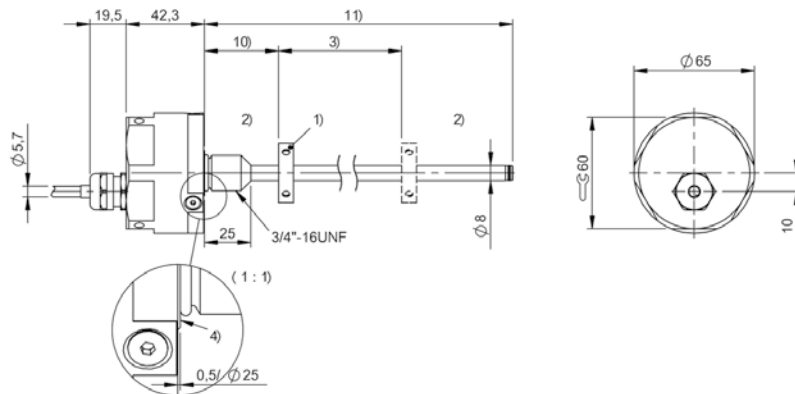
- 1) not included in scope of delivery
- 2) Non-usable area
- 3) Nominal length = Measuring length
- 4) Mounting surface
- 5) Internal threads M4x4/6 deep
- 10) Null point
- 11) Installation length

BTL7-A510-Mxxxx-W8-Kxx



- 1) not included in scope of delivery
- 2) Non-usable area
- 3) Nominal length = Measuring length
- 4) Mounting surface
- 10) Null point
- 11) Installation length

BTL7-G510-Mxxxx-W8-FAxx



- 1) not included in scope of delivery
- 2) Non-usable area
- 3) Nominal length = Measuring length
- 4) Mounting surface
- 10) Null point
- 11) Installation length



	BTL7 -W- SERIES - ANALOG CURRENT
Interface	Analog, current
Measuring length	25...7620 mm
Repeat accuracy	± 10 µm
Linearity deviation	nmm = 0050...0500: ± 50 µm, nmm = 0501...5500: ± 0.01% FS, nmm > 5500: ± 0.02% FS
Operating voltage Ub	10...30 VDC
Ambient temperature	-40...85 °C
Mechanical configuration	Fastening 3/4" threads
Housing material	Stainless steel (1.4305)
IP rating	I = S, SR: IP67 with connector I = K, KA, F, FA: IP68
Approval/Conformity	I = K, KA: CE + cULus + EAC + WEEE I = F, FA: CE + EAC + WEEE
Ex category	—

BTL7-abcd-Mnnnn-fg-Im

BTL7

Magnetostrictive linear position sensor
Generation 7

a interface

C = Current output 0 ... 20 mA
E = Current output 4 ... 20 mA

b Operating voltage

5 = 10 ... 30 V

c + d Interface characteristic 1 + 2

00 = 1 output, rising
70 = 1 output, falling

Mnnnn Nominal length (4-position)

M0500 = metric in mm
(M0025...M1016: for rod diameter
8 mm)
(M0025...M7620: for rod diameter
10.2 mm)

f Style

W = Compact rod, threads 3/4"-16UNF,
for O-Ring

g Form factor characteristic

8 = Rod diameter 8 mm
- = Rod diameter 10.2 mm

I Connection type

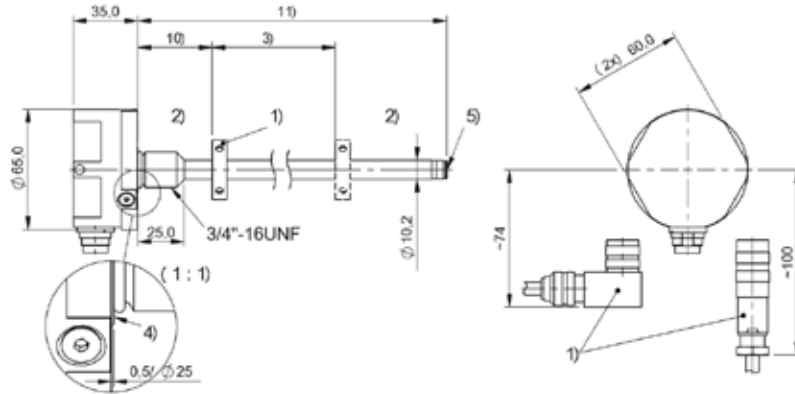
S = Connector
K = Cable out radial (PUR)
KA = Cable out axial (PUR)
F = Cable out radial (PTFE)
FA = Cable out axial (PTFE)

m Connection type characteristic 1

for connector:
32 = M16x0.75 connector with 8 pins
115 = M12x1 connector with 8 pins

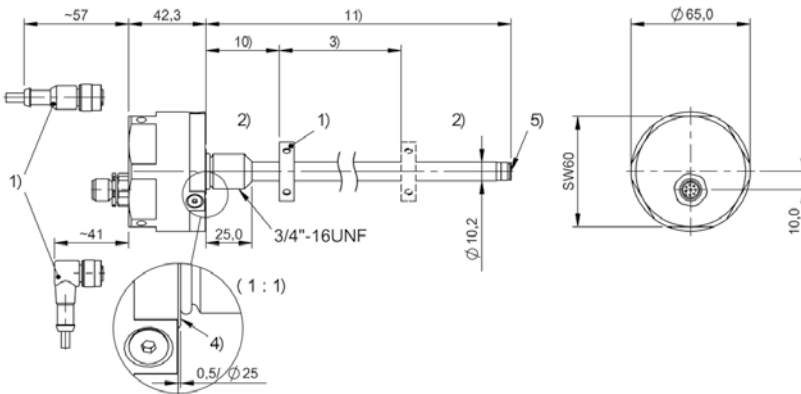
for cable (length in meters):
02, 05, 10, 15, 20, 50, 100

BTL7-E500-Mxxxx-W-SR32



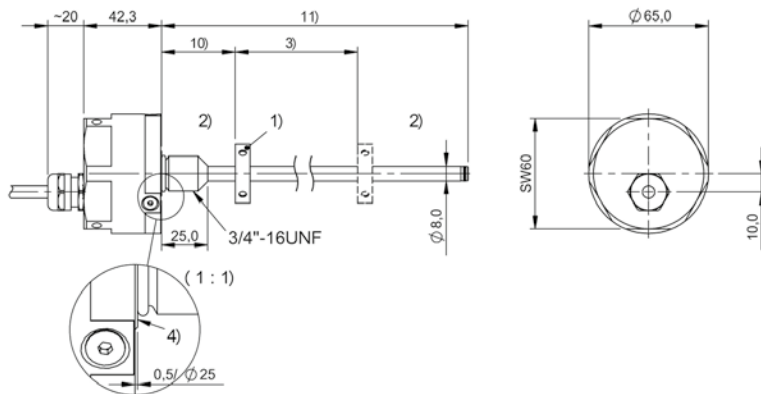
- 1) not included in scope of delivery
- 2) Non-usable area
- 3) Nominal length = Measuring length
- 4) Mounting surface
- 5) Internal threads M4x4/6 deep
- 10) Null point
- 11) Installation length

BTL7-C570-Mxxxx-W-S115



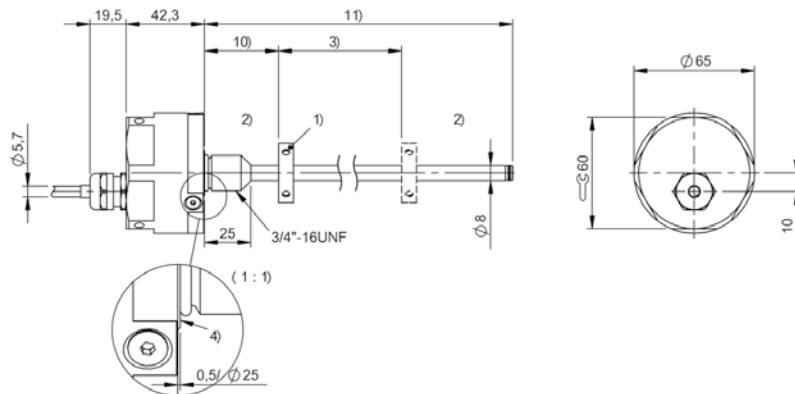
- 1) not included in scope of delivery
- 2) Non-usable area
- 3) Nominal length = Measuring length
- 4) Mounting surface
- 5) Internal threads M4x4/6 deep
- 10) Null point
- 11) Installation length

BTL7-E570-Mxxxx-W8-Kxx



- 1) not included in scope of delivery
- 2) Non-usable area
- 3) Nominal length = Measuring length
- 4) Mounting surface
- 10) Null point
- 11) Installation length

BTL7-C500-Mxxxx-W8-FAxx



- 1) not included in scope of delivery
- 2) Non-usable area
- 3) Nominal length = Measuring length
- 4) Mounting surface
- 10) Null point
- 11) Installation length



	BTL5 -W- SERIES - DIGITAL
Interface	Start/Stop
Measuring length	25...4000 mm
Repeat accuracy	2 µm
Linearity deviation	nmm = 0025...0500: ± 100 µm, nmm > 0500: ± 0.02% FS
Operating voltage Ub	20...28 VDC
Ambient temperature	-40...85 °C
Mechanical configuration	Fastening 3/4" threads
Housing material	Stainless steel (1.4305)
IP rating	I = S: IP67 with connector I = K: IP68
Approval/Conformity	CE cULus EAC WEEE
Ex category	—

BTL5-ab-Mnnnn-fg-lm

BTL5

Magnetostrictive linear position sensor
Generation 5

a interface

P = Digital pulse interface (falling edge stabilized)
M = Digital pulse interface (rising edge stabilized)

b Operating voltage

1 = 20 ... 28 V

Mnnnn Nominal length (4-position)

M0500 = metric in mm
(M0050...M4000)

f Style

W = Compact rod, threads 3/4"-16UNF, for O-Ring

g Form factor characteristic

8 = Rod diameter 8 mm
- = Rod diameter 10.2 mm

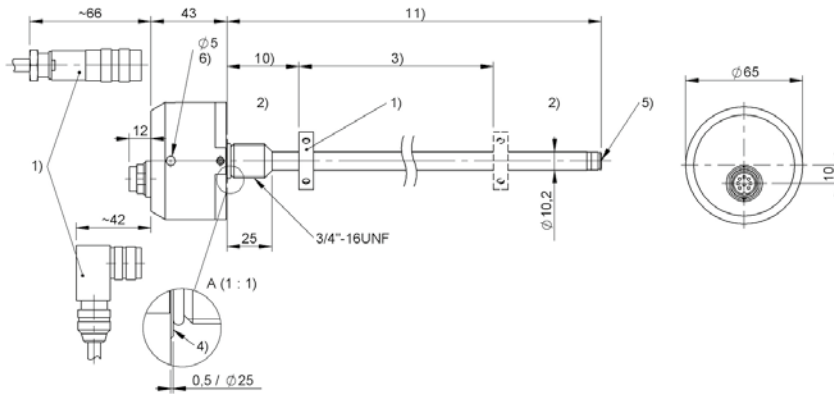
l Connection type

S = Connector, axial
SR = Connector, radial
K = Cable out radial (PUR)
KA = Cable out axial (PUR)

m Connection type characteristic 1

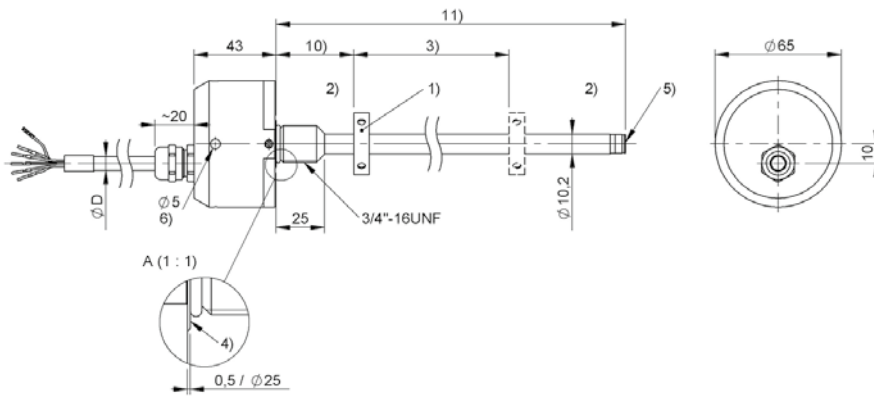
for connector:
32 = M16x0.75 connector with 8 pins
for cable (length in meters):
02, 05, 10, 15, 20

BTL5-P1-Mxxxx-W-S32



- 1) not included in scope of delivery
- 2) Non-usable area
- 3) Nominal length = Measuring length
- 4) Mounting surface
- 5) Internal threads M4x4/6 deep
- 6) for C-spanner \varnothing 58-62
- 10) Null point
- 11) Installation length

BTL5-P1-Mxxxx-W-KAxx



- 1) not included in scope of delivery
- 2) Non-usable area
- 3) Nominal length = Measuring length
- 4) Mounting surface
- 5) Internal threads M4x4/6 deep
- 6) for C-spanner \varnothing 58-62
- 10) Null point
- 11) Installation length



	BTL5 -W- SERIES - SSI
Interface	SSI
Measuring length	25...4000 mm
Repeat accuracy	± 1 LSB
Linearity deviation	d = 1, 2, 3, 7: nnnn = 25...4000: ± 30µm d = 4, 5, 6, 8 nnnn = 25...4000: ± 2 LSB
Operating voltage Ub	20...28 VDC
Ambient temperature	-40...85 °C
Mechanical configuration	Fastening 3/4" threads
Housing material	Stainless steel (1.4305)
IP rating	I = S: IP67 with connector I = K: IP68
Approval/Conformity	CE cULus EAC WEEE
Ex category	—

BTL5-abcde-Mnnnn-fg-lm

BTL5

Magnetostrictive linear position sensor
Generation 5

a interface

S = SSI

b Operating voltage

1 = 20 ... 28 V

c Interface characteristic 1

0 = 24 bits, binary, rising
1 = 24 bits, gray, rising
2 = 24 bits, binary, falling
3 = 24 bits, gray, falling
6 = 25 bits, binary, rising
7 = 25 bits, gray, rising
8 = 25 bits, binary, falling
9 = 25 bits, gray, falling

d Interface characteristic 2

1 = 1 µm
2 = 5 µm
3 = 10 µm
4 = 20 µm
5 = 40 µm
6 = 100 µm
7 = 2 µm
8 = 50 µm

e Interface characteristic 3

B = Synchronous mode
- = Asynchronous mode

Mnnnn Nominal length (4-position)

M0500 = metric in mm
(M0050...M4000)

f Style

W = Compact rod, threads 3/4"-16UNF,
for O-Ring

g Form factor characteristic

8 = Rod diameter 8 mm
- = Rod diameter 10.2 mm

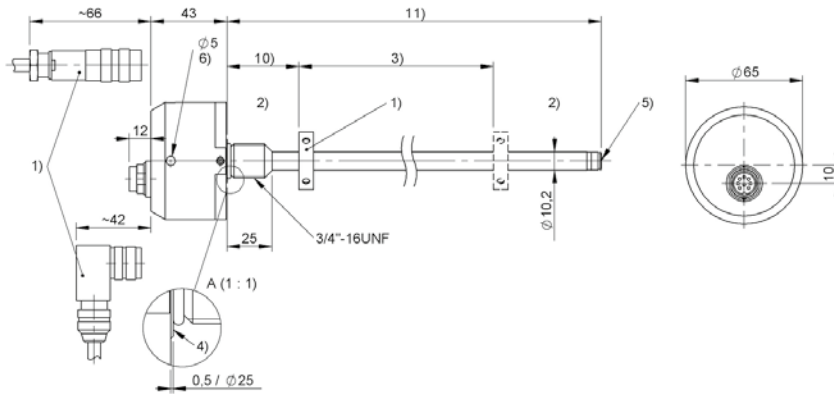
l Connection type

S = Connector, axial
SR = Connector, radial
K = Cable out radial (PUR)
KA = Cable out axial (PUR)

m Connection type characteristic 1

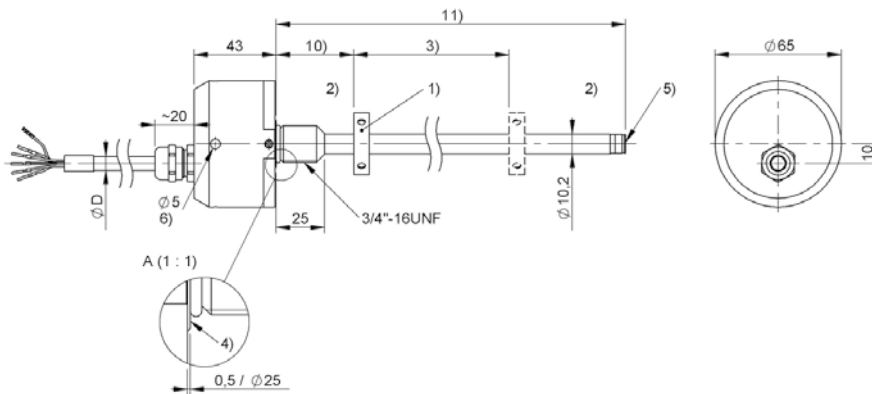
for connector:
32 = M16x0.75 connector with 8 pins
for cable (length in meters):
02, 05, 10, 15, 20

BTL5-Sxxxx-Mxxxx-W-S32



- 1) not included in scope of delivery
- 2) Non-usable area
- 3) Nominal length = Measuring length
- 4) Mounting surface
- 5) Internal threads M4x4/6 deep
- 6) for C-spanner \varnothing 58-62
- 10) Null point
- 11) Installation length

BTL5-Sxxxx-Mxxxx-W-KAxx



- 1) not included in scope of delivery
- 2) Non-usable area
- 3) Nominal length = Measuring length
- 4) Mounting surface
- 5) Internal threads M4x4/6 deep
- 6) for C-spanner \varnothing 58-62
- 10) Null point
- 11) Installation length



	BTL5 -W- SERIES - CANOPEN
Interface	CANopen
Measuring length	25...4000 mm
Repeat accuracy	± 1 LSB
Linearity deviation	±30 µm
Operating voltage U_b	20...28 VDC
Ambient temperature	-40...85 °C
Mechanical configuration	Fastening 3/4" threads
Housing material	Stainless steel (1.4305)
IP rating	I = S: IP67 with connector I = K: IP68
Approval/Conformity	CE cULus EAC WEEE
Ex category	—

BTL5-abcd-Mnnnn-fg-lm

BTL5

Magnetostrictive linear position sensor
Generation 5

a interface

H = CANopen

b Operating voltage

1 = 20 ... 28 V

c Interface characteristic 1

1 = 1 magnet
2 = 2 magnets
3 = 4 magnets

d Interface characteristic 2

Data transmission rate:

0 = 1 MBaud
1 = 800 MBaud
2 = 500 kBaud
3 = 250 kBaud
4 = 125 kBaud
5 = 100 kBaud
6 = 50 kBaud
7 = 25 kBaud
8 = 10 kBaud

Mnnnn Nominal length (4-position)

M0500 = metric in mm
(M0050...M4000)

f Style

W = Compact rod, threads 3/4"-16UNF,
for O-Ring

g Form factor characteristic

8 = Rod diameter 8 mm
- = Rod diameter 10.2 mm

l Connection type

S = Connector, axial
SR = Connector, radial
K = Cable out radial (PUR)
KA = Cable out axial (PUR)

m Connection type characteristic 1

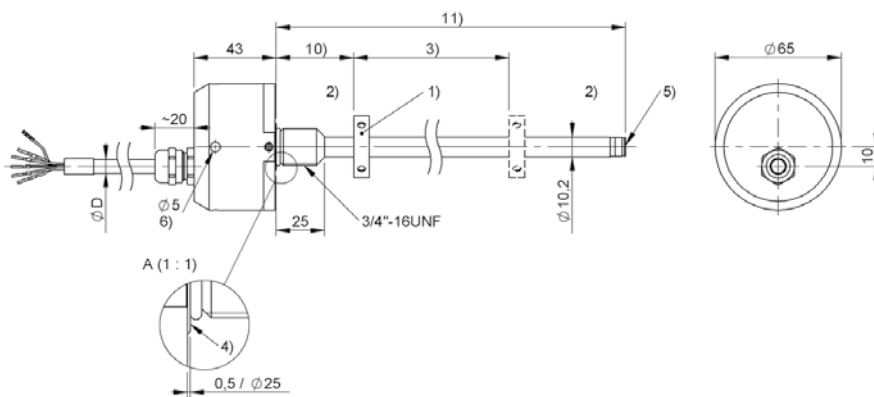
for connector:

92 = M12x1 connector with 5 pins

for cable (length in meters):

02, 05, 10, 15, 20

BTL5-Hxxx-Mxxxx-W-KAxx



- 1) not included in scope of delivery
- 2) Non-usable area
- 3) Nominal length = Measuring length
- 4) Mounting surface
- 5) Internal threads M4x4/6 deep
- 6) for C-spanner \varnothing 58-62
- 10) Null point
- 11) Installation length



	BTL7 -HB- SERIES - ANALOG VOLTAGE
Interface	Analog, voltage
Measuring length	25...7620 mm
Repeat accuracy	± 10 µm
Linearity deviation	nmm = 0050...0500: ± 50 µm, nmm = 0501...5500: ± 0.01% FS, nmm > 5500: ± 0.02% FS
Operating voltage U_b	10...30 VDC
Ambient temperature	-40...85 °C
Mechanical configuration	Fastening M18 threads
Housing material	Stainless steel (1.4305)
IP rating	IP68/IP69K
Approval/Conformity	I = K, KA: CE + cULus + EAC + WEEE I = F, FA: CE + EAC + WEEE
Ex category	—

BTL7-abcd-Mnnnn-f-lm

BTL7

Magnetostrictive linear position sensor
Generation 7

a interface

A = Voltage output 0 ... 10 V
G = voltage output -10 ... 10 V

b Operating voltage

5 = 10 ... 30 V

c + d Interface characteristic 1 + 2

10 = 2 outputs, each 1 x rising/falling

Mnnnn Nominal length (4-position)

M0500 = metric in mm
(M0025...M1016: for rod diameter
8 mm)
(M0025...M7620: for rod diameter
10.2 mm)

f Style

HB = Pro Compact, Mounting threads
M18x1.5, for O-Ring

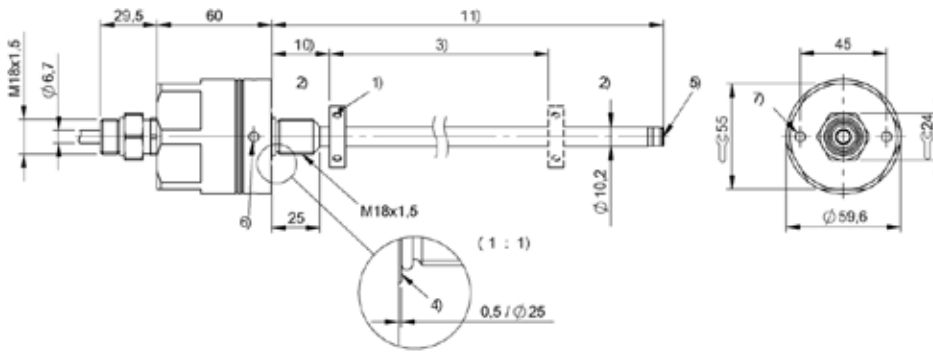
l Connection type

K = Cable out radial (PUR)
KA = Cable out axial (PUR)
F = Cable out radial (PTFE)
FA = Cable out axial (PTFE)

m Connection type characteristic 1

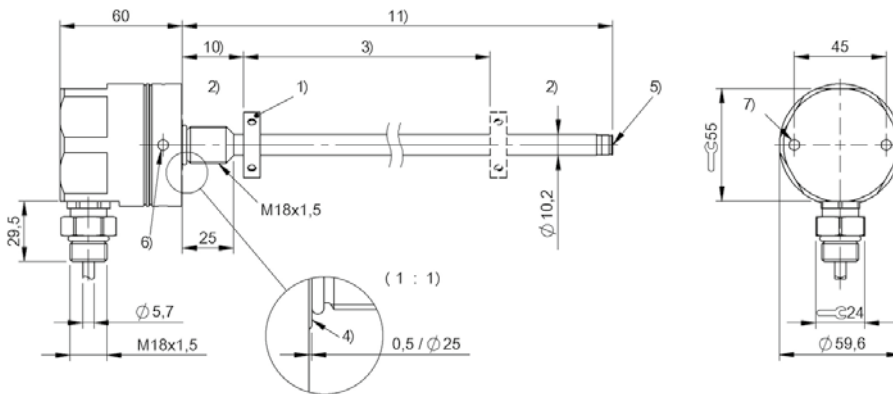
(length in meters)
02, 05, 10, 15, 20, 30

BTL7-A510-Mxxxx-HB-KAxx



- 1) not included in scope of delivery
- 2) Non-usable area
- 3) Nominal length = Measuring length
- 4) Mounting surface
- 5) Internal threads M4x4/6 deep
- 6) for C-spanner \varnothing 58-62
- 7) \varnothing 5.1 for face wrench
- 10) Null point
- 11) Installation length

BTL7-G510-Mxxxx-HB-Fxx



- 1) not included in scope of delivery
- 2) Non-usable area
- 3) Nominal length = Measuring length
- 4) Mounting surface
- 5) Internal threads M4x4/6 deep
- 6) for C-spanner \varnothing 58-62
- 7) \varnothing 5.1 for face wrench
- 10) Null point
- 11) Installation length



	BTL7 -HB- SERIES - ANALOG CURRENT
Interface	Analog, current
Measuring length	25...7620 mm
Repeat accuracy	± 10 µm
Linearity deviation	nmm = 0050...0500: ± 50 µm, nmm = 0501...5500: ± 0.01% FS, nmm > 5500: ± 0.02% FS
Operating voltage U_b	10...30 VDC
Ambient temperature	-40...85 °C
Mechanical configuration	Fastening M18 threads
Housing material	Stainless steel (1.4305)
IP rating	IP68/IP69K
Approval/Conformity	I = K, KA: CE + cULus + EAC + WEEE I = F, FA: CE + EAC + WEEE
Ex category	—

BTL7-abcd-Mnnnn-f-lm

BTL7

Magnetostrictive linear position sensor
Generation 7

a interface

C = Current output 0 ... 20 mA
E = Current output 4 ... 20 mA

b Operating voltage

5 = 10 ... 30 V

c + d Interface characteristic 1 + 2

00 = 1 output, rising
70 = 1 output, falling

Mnnnn Nominal length (4-position)

M0500 = metric in mm
(M0025...M1016: for rod diameter
8 mm)
(M0025...M7620: for rod diameter
10.2 mm)

f Style

HB = Pro Compact, Mounting threads
M18x1.5, for O-Ring

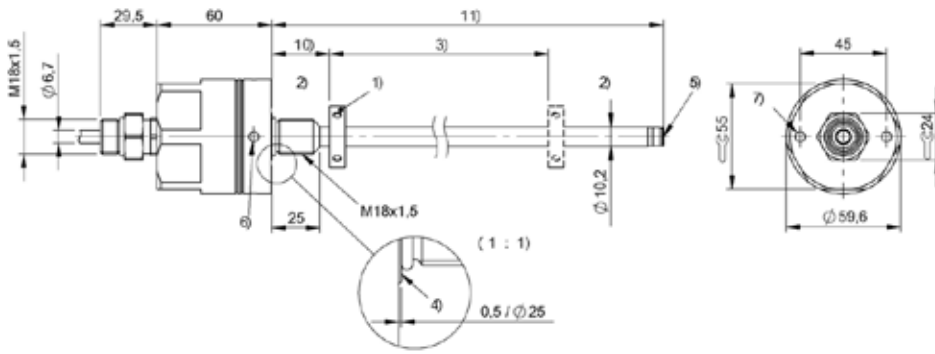
I Connection type

K = Cable out radial (PUR)
KA = Cable out axial (PUR)
F = Cable out radial (PTFE)
FA = Cable out axial (PTFE)

m Connection type characteristic 1

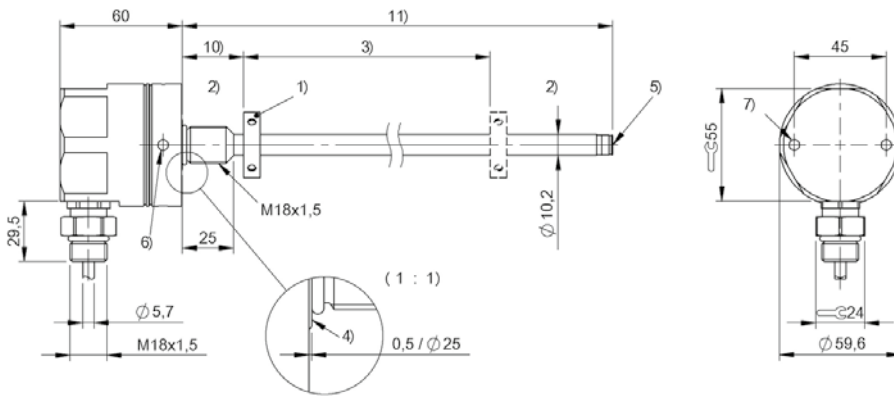
(length in meters)
02, 05, 10, 15, 20, 50, 100

BTL7-E500-Mxxxx-HB-KAxx



- 1) not included in scope of delivery
- 2) Non-usable area
- 3) Nominal length = Measuring length
- 4) Mounting surface
- 5) Internal threads M4x4/6 deep
- 6) for C-spanner Ø 58-62
- 7) Ø 5.1 for face wrench
- 10) Null point
- 11) Installation length

BTL7-C570-Mxxxx-HB-Fxx



- 1) not included in scope of delivery
- 2) Non-usable area
- 3) Nominal length = Measuring length
- 4) Mounting surface
- 5) Internal threads M4x4/6 deep
- 6) for C-spanner Ø 58-62
- 7) Ø 5.1 for face wrench
- 10) Null point
- 11) Installation length



	BTL5 -HB- SERIES - DIGITAL
Interface	Start/Stop
Measuring length	25...4000 mm
Repeat accuracy	2 µm
Linearity deviation	nmm = 0025...0500: ± 100 µm, nmm > 0500: ± 0.02% FS
Operating voltage Ub	20...28 VDC
Ambient temperature	-40...85 °C
Mechanical configuration	Fastening M18 threads
Housing material	Stainless steel (1.4305)
IP rating	IP68/IP69K
Approval/Conformity	CE cULus EAC WEEE
Ex category	—

BTL5-ab-Mnnnn-f-lm

BTL5

Magnetostrictive linear position sensor
Generation 5

a interface

P = Digital pulse interface (falling edge stabilized)

M = Digital pulse interface (rising edge stabilized)

b Operating voltage

1 = 20 ... 28 V

Mnnnn Nominal length (4-position)

M0500 = metric in mm
(M0050...M4000)

f Style

HB = Pro Compact, Mounting threads
M18x1.5, for O-Ring

l Connection type

K = Cable out radial (PUR)

KA = Cable out axial (PUR)

F = Cable out radial (PTFE)

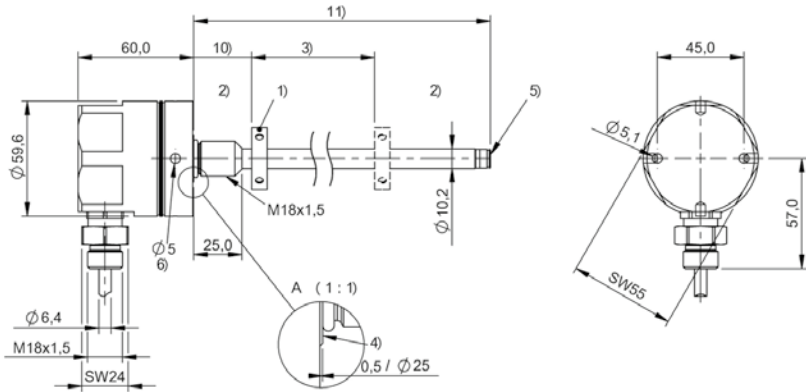
FA = Cable out axial (PTFE)

m Connection type characteristic 1

(length in meters)

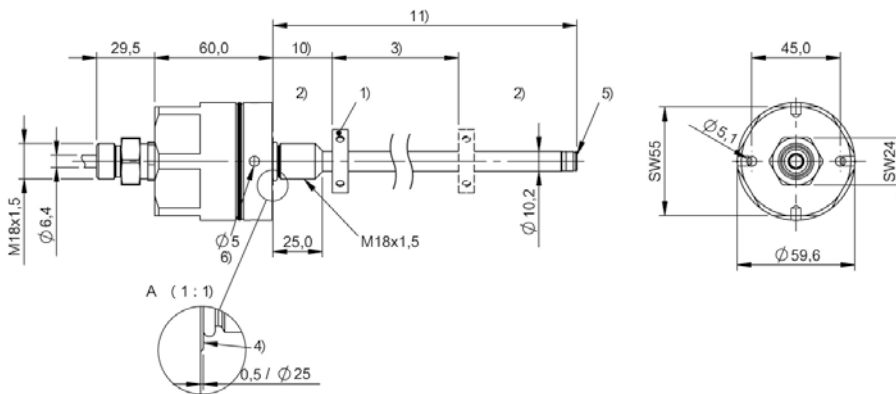
02, 05, 10, 15, 20

BTL5-P1-Mxxxx-HB-Fxx



- 1) not included in scope of delivery
- 2) Non-usable area
- 3) Nominal length = Measuring length
- 4) Mounting surface
- 5) Internal threads M4x4/6 deep
- 6) for C-spanner Ø 58-62
- 10) Null point
- 11) Installation length

BTL5-P1-Mxxxx-HB-FAxx



- 1) not included in scope of delivery
- 2) Non-usable area
- 3) Nominal length = Measuring length
- 4) Mounting surface
- 5) Internal threads M4x4/6 deep
- 6) for C-spanner Ø 58-62
- 10) Null point
- 11) Installation length



	BTL5 -HB- SERIES - SSI
Interface	SSI
Measuring length	25...4000 mm
Repeat accuracy	± 1 LSB
Linearity deviation	d = 1, 2, 3, 7: nnnn = 25...4000: ± 30µm d = 4, 5, 6, 8 nnnn = 25...4000: ± 2 LSB
Operating voltage Ub	20...28 VDC
Ambient temperature	-40...85 °C
Mechanical configuration	Fastening M18 threads
Housing material	Stainless steel (1.4305)
IP rating	IP68/IP69K
Approval/Conformity	CE cULus EAC WEEE
Ex category	—

BTL5-abcde-Mnnnn-f-lm

BTL5

Magnetostrictive linear position sensor
Generation 5

a interface

S = SSI

b Operating voltage

1 = 20 ... 28 V

c Interface characteristic 1

0 = 24 bits, binary, rising
1 = 24 bits, gray, rising
2 = 24 bits, binary, falling
3 = 24 bits, gray, falling
6 = 25 bits, binary, rising
7 = 25 bits, gray, rising
8 = 25 bits, binary, falling
9 = 25 bits, gray, falling

d Interface characteristic 2

1 = 1 µm
2 = 5 µm
3 = 10 µm
4 = 20 µm
5 = 40 µm
6 = 100 µm
7 = 2 µm
8 = 50 µm

e Interface characteristic 3

B = Synchronous mode
- = Asynchronous mode

Mnnnn Nominal length (4-position)

M0500 = metric in mm
(M0050...M4000)

f Style

HB = Pro Compact, Mounting threads
M18x1.5, for O-Ring

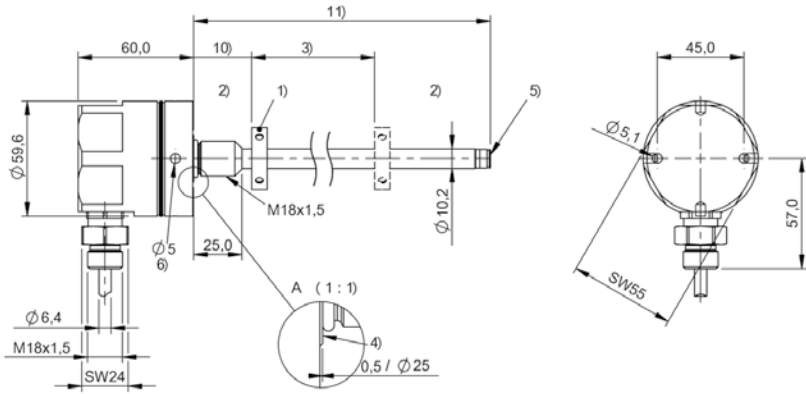
l Connection type

K = Cable out radial (PUR)
KA = Cable out axial (PUR)
F = Cable out radial (PTFE)
FA = Cable out axial (PTFE)

m Connection type characteristic 1

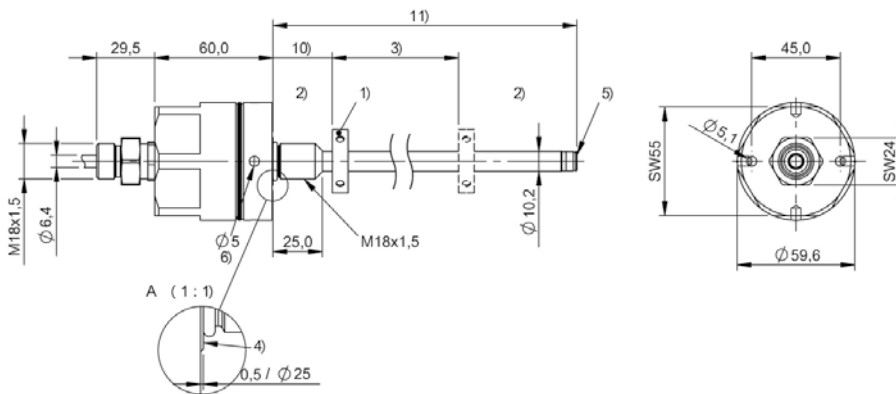
(length in meters)
02, 05, 10, 15, 20

BTL5-Sxxxx-Mxxxx-HB-Fxx



- 1) not included in scope of delivery
- 2) Non-usable area
- 3) Nominal length = Measuring length
- 4) Mounting surface
- 5) Internal threads M4x4/6 deep
- 6) for C-spanner $\varnothing 58-62$
- 10) Null point
- 11) Installation length

BTL5-Sxxxx-Mxxxx-HB-FAxx



- 1) not included in scope of delivery
- 2) Non-usable area
- 3) Nominal length = Measuring length
- 4) Mounting surface
- 5) Internal threads M4x4/6 deep
- 6) for C-spanner $\varnothing 58-62$
- 10) Null point
- 11) Installation length



	BTL7 -WB- SERIES - ANALOG VOLTAGE
Interface	Analog, voltage
Measuring length	25...7620 mm
Repeat accuracy	± 10 µm
Linearity deviation	nmm = 0050...0500: ± 50 µm, nmm = 0501...5500: ± 0.01% FS, nmm > 5500: ± 0.02% FS
Operating voltage U _b	10...30 VDC
Ambient temperature	-40...85 °C
Mechanical configuration	Fastening 3/4" threads
Housing material	Stainless steel (1.4305)
IP rating	IP68/IP69K
Approval/Conformity	I = K, KA: CE + cULus + EAC + WEEE I = F, FA: CE + EAC + WEEE
Ex category	—

BTL7-abcd-Mnnnn-f-lm

BTL7

Magnetostrictive linear position sensor
Generation 7

a interface

A = Voltage output 0 ... 10 V
G = voltage output -10 ... 10 V

b Operating voltage

5 = 10 ... 30 V

c + d Interface characteristic 1 + 2

10 = 2 outputs, each 1 x rising/falling

Mnnnn Nominal length (4-position)

M0500 = metric in mm
(M0025...M1016: for rod diameter
8 mm)
(M0025...M7620: for rod diameter
10.2 mm)

f Style

WB = Pro Compact inch threads
3/4"-16UNF, for O-Ring

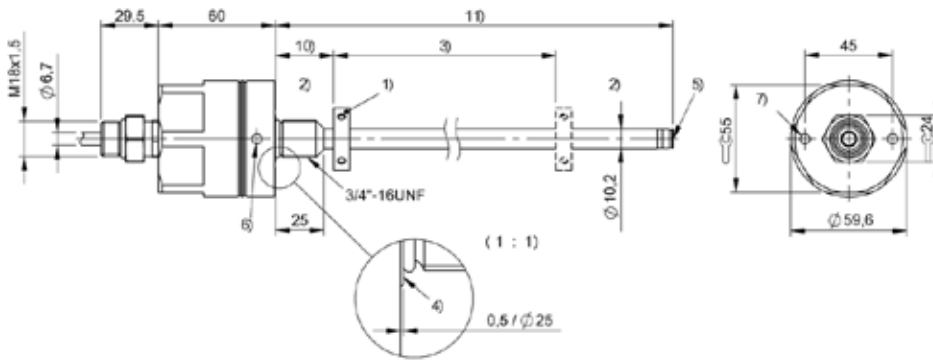
l Connection type

K = Cable out radial (PUR)
KA = Cable out axial (PUR)
F = Cable out radial (PTFE)
FA = Cable out axial (PTFE)

m Connection type characteristic 1

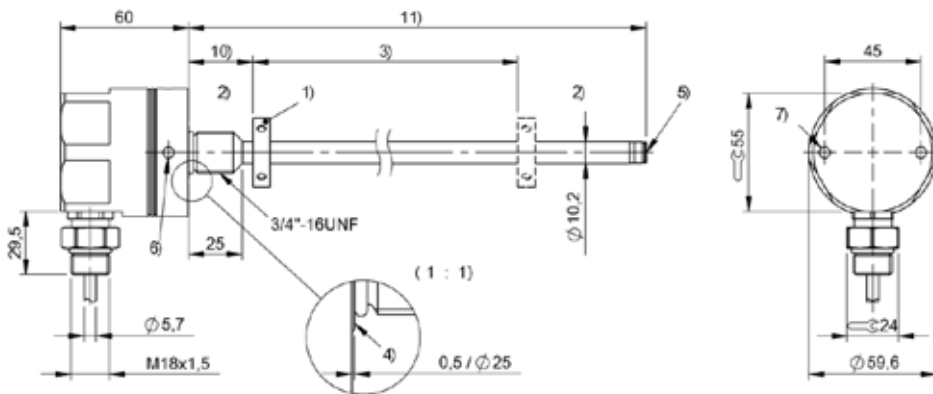
(length in meters)
02, 05, 10, 15, 20, 30

BTL7-A510-Mxxxx-WB-KAxx



- 1) not included in scope of delivery
- 2) Non-usable area
- 3) Nominal length = Measuring length
- 4) Mounting surface
- 5) Internal threads M4x4/6 deep
- 6) for C-spanner Ø 58-62
- 7) Ø 5.1 for face wrench
- 10) Null point
- 11) Installation length

BTL7-G510-Mxxxx-WB-Fxx



- 1) not included in scope of delivery
- 2) Non-usable area
- 3) Nominal length = Measuring length
- 4) Mounting surface
- 5) Internal threads M4x4/6 deep
- 6) for C-spanner Ø 58-62
- 7) Ø 5.1 for face wrench
- 10) Null point
- 11) Installation length



	BTL7 -WB- SERIES - ANALOG CURRENT
Interface	Analog, current
Measuring length	25...7620 mm
Repeat accuracy	± 10 µm
Linearity deviation	nmm = 0050...0500: ± 50 µm, nmm = 0501...5500: ± 0.01% FS, nmm > 5500: ± 0.02% FS
Operating voltage Ub	10...30 VDC
Ambient temperature	-40...85 °C
Mechanical configuration	Fastening 3/4" threads
Housing material	Stainless steel (1.4305)
IP rating	IP68/IP69K
Approval/Conformity	I = K, KA: CE + cULus + EAC + WEEE I = F, FA: CE + EAC + WEEE
Ex category	—

BTL7-abcd-Mnnnn-f-lm

BTL7

Magnetostrictive linear position sensor
Generation 7

a interface

C = Current output 0 ... 20 mA
E = Current output 4 ... 20 mA

b Operating voltage

5 = 10 ... 30 V

c + d Interface characteristic 1 + 2

00 = 1 output, rising
70 = 1 output, falling

Mnnnn Nominal length (4-position)

M0500 = metric in mm
(M0025...M1016: for rod diameter
8 mm)
(M0025...M7620: for rod diameter
10.2 mm)

f Style

WB = Pro Compact, inch threads 3/4"-
16UNF, for O-Ring

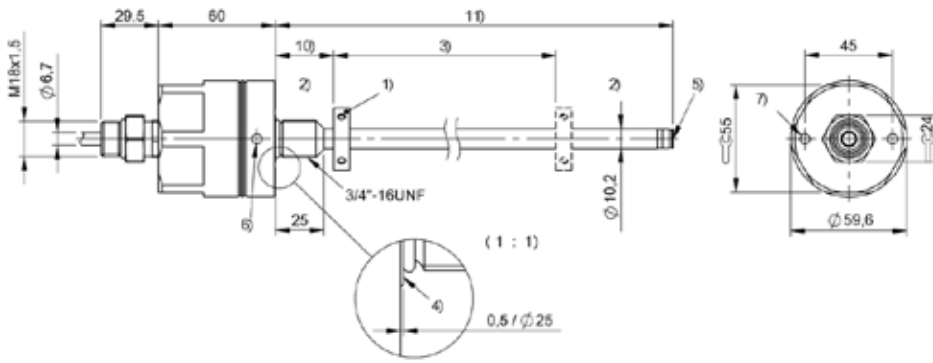
l Connection type

K = Cable out radial (PUR)
KA = Cable out axial (PUR)
F = Cable out radial (PTFE)
FA = Cable out axial (PTFE)

m Connection type characteristic 1

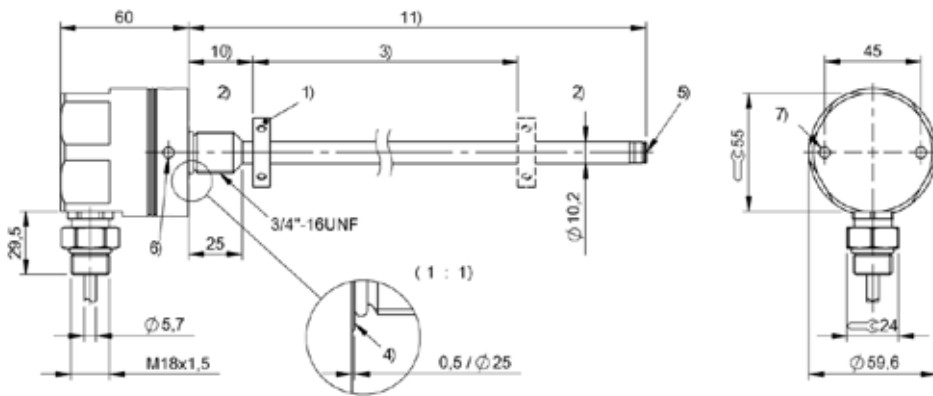
(length in meters)
02, 05, 10, 15, 20, 50, 100

BTL7-E500-Mxxxx-WB-KAxx



- 1) not included in scope of delivery
- 2) Non-usable area
- 3) Nominal length = Measuring length
- 4) Mounting surface
- 5) Internal threads M4x4/6 deep
- 6) for C-spanner \varnothing 58-62
- 7) \varnothing 5.1 for face wrench
- 10) Null point
- 11) Installation length

BTL7-C570-Mxxxx-WB-Fxx



- 1) not included in scope of delivery
- 2) Non-usable area
- 3) Nominal length = Measuring length
- 4) Mounting surface
- 5) Internal threads M4x4/6 deep
- 6) for C-spanner \varnothing 58-62
- 7) \varnothing 5.1 for face wrench
- 10) Null point
- 11) Installation length



	BTL5 -WB- SERIES - DIGITAL
Interface	Start/Stop
Measuring length	25...4000 mm
Repeat accuracy	2 µm
Linearity deviation	nmm = 0025...0500: ± 100 µm, nmm > 0500: ± 0.02% FS
Operating voltage Ub	20...28 VDC
Ambient temperature	-40...85 °C
Mechanical configuration	Fastening 3/4" threads
Housing material	Stainless steel (1.4305)
IP rating	IP68/IP69K
Approval/Conformity	CE cULus EAC WEEE
Ex category	—

BTL5-ab-Mnnnn-f-lm

BTL5

Magnetostrictive linear position sensor
Generation 5

a interface

P = Digital pulse interface (falling edge stabilized)

M = Digital pulse interface (rising edge stabilized)

b Operating voltage

1 = 20 ... 28 V

Mnnnn Nominal length (4-position)

M0500 = metric in mm
(M0050...M4000)

f Style

WB = Pro Compact, inch threads 3/4"-16UNF, for O-Ring

l Connection type

K = Cable out radial (PUR)

KA = Cable out axial (PUR)

F = Cable out radial (PTFE)

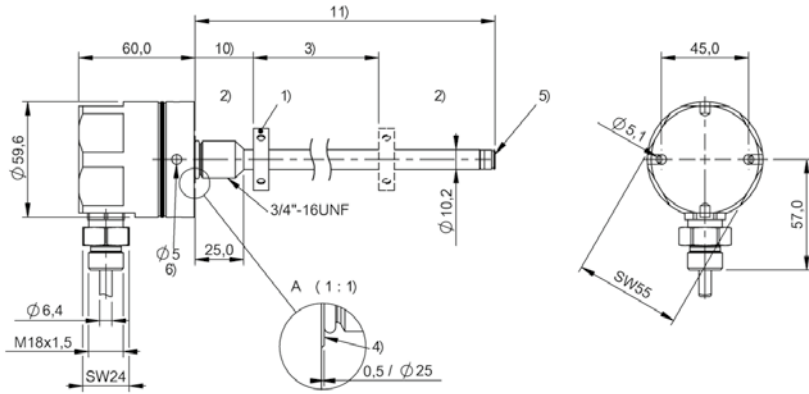
FA = Cable out axial (PTFE)

m Connection type characteristic 1

(length in meters)

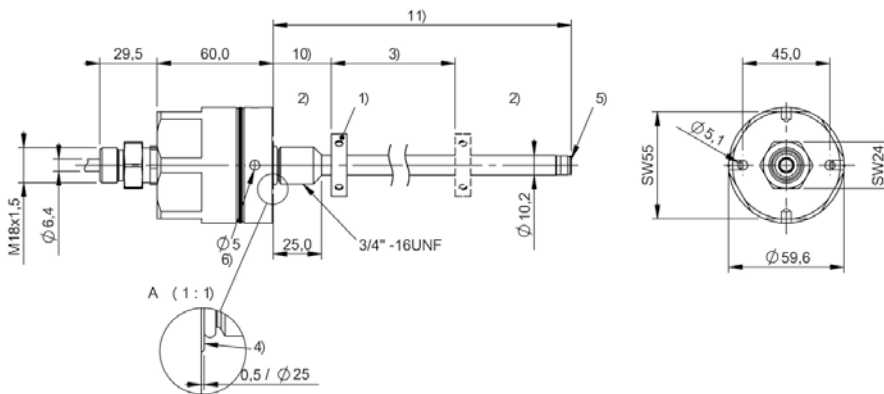
02, 05, 10, 15, 20

BTL5-P1-Mxxxx-WB-Fxx



- 1) not included in scope of delivery
- 2) Non-usable area
- 3) Nominal length = Measuring length
- 4) Mounting surface
- 5) Internal threads M4x4/6 deep
- 6) for C-spanner \varnothing 58-62
- 10) Null point
- 11) Installation length

BTL5-P1-Mxxxx-WB-FAxx



- 1) not included in scope of delivery
- 2) Non-usable area
- 3) Nominal length = Measuring length
- 4) Mounting surface
- 5) Internal threads M4x4/6 deep
- 6) for C-spanner \varnothing 58-62
- 10) Null point
- 11) Installation length



BTL5 -WB- SERIES - SSI	
Interface	SSI
Measuring length	25...4000 mm
Repeat accuracy	± 1 LSB
Linearity deviation	d = 1, 2, 3, 7: nnnn = 25...4000: ± 30µm d = 4, 5, 6, 8 nnnn = 25...4000: ± 2 LSB
Operating voltage Ub	20...28 VDC
Ambient temperature	-40...85 °C
Mechanical configuration	Fastening 3/4" threads
Housing material	Stainless steel (1.4305)
IP rating	IP68/IP69K
Approval/Conformity	CE cULus EAC WEEE
Ex category	—

BTL5-abcde-Mnnnn-f-lm

BTL5

Magnetostrictive linear position sensor
Generation 5

a interface

S = SSI

b Operating voltage

1 = 20 ... 28 V

c Interface characteristic 1

- 0 = 24 bits, binary, rising
- 1 = 24 bits, gray, rising
- 2 = 24 bits, binary, falling
- 3 = 24 bits, gray, falling
- 6 = 25 bits, binary, rising
- 7 = 25 bits, gray, rising
- 8 = 25 bits, binary, falling
- 9 = 25 bits, gray, falling

d Interface characteristic 2

- 1 = 1 µm
- 2 = 5 µm
- 3 = 10 µm
- 4 = 20 µm
- 5 = 40 µm
- 6 = 100 µm
- 7 = 2 µm
- 8 = 50 µm

e Interface characteristic 3

- B = Synchronous mode
- = Asynchronous mode

Mnnnn Nominal length (4-position)

M0500 = metric in mm
(M0050...M4000)

f Style

WB = Pro Compact, inch threads 3/4"-16UNF, for O-Ring

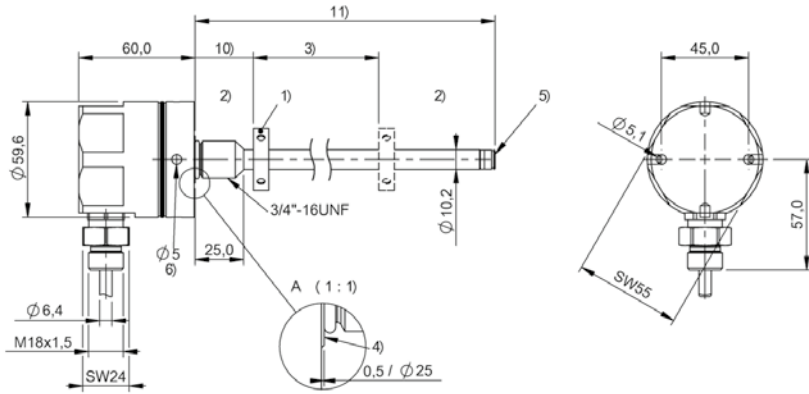
l Connection type

- K = Cable out radial (PUR)
- KA = Cable out axial (PUR)
- F = Cable out radial (PTFE)
- FA = Cable out axial (PTFE)

m Connection type characteristic 1

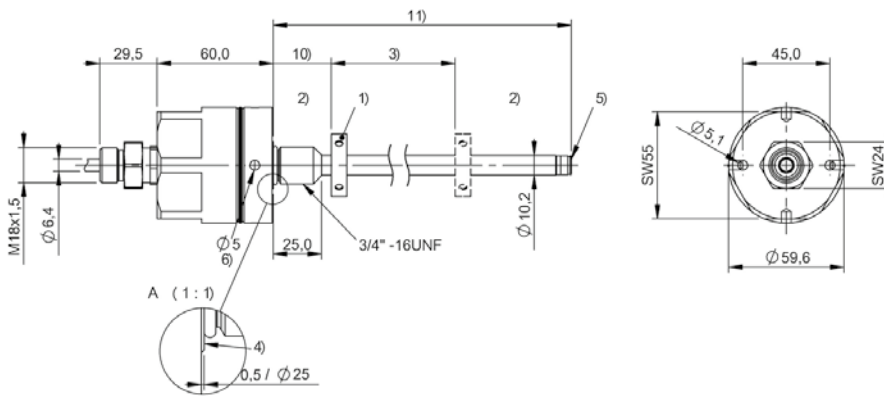
(length in meters)
02, 05, 10, 15, 20

BTL5-Sxxxx-Mxxxx-WB-Fxx



- 1) not included in scope of delivery
- 2) Non-usable area
- 3) Nominal length = Measuring length
- 4) Mounting surface
- 5) Internal threads M4x4/6 deep
- 6) for C-spanner \varnothing 58-62
- 10) Null point
- 11) Installation length

BTL5-Sxxxx-Mxxxx-WB-FAxx



- 1) not included in scope of delivery
- 2) Non-usable area
- 3) Nominal length = Measuring length
- 4) Mounting surface
- 5) Internal threads M4x4/6 deep
- 6) for C-spanner \varnothing 58-62
- 10) Null point
- 11) Installation length



	BTL7 -K- SERIES - ANALOG VOLTAGE
Interface	Analog, voltage
Measuring length	25...7620 mm
Repeat accuracy	± 10 µm
Linearity deviation	nmm = 0025...0500: ± 50 µm, nmm = 0501...5500: ± 0.01% FS, nmm > 5500: ± 0.02% FS
Operating voltage U_b	10...30 VDC
Ambient temperature	-40...85 °C
Mechanical configuration	Fastening 18h6 fit
Housing material	Stainless steel (1.4305)
IP rating	I = S: IP67 with connector I = K: IP68
Approval/Conformity	I = K: CE + cULus + EAC + WEEE I = F: CE + EAC + WEEE
Ex category	—

BTL7-abcd-Mnnnn-fg-lm

BTL7

Magnetostrictive linear position sensor
Generation 7

a interface

A = Voltage output 0 ... 10 V
G = voltage output -10 ... 10 V

b Operating voltage

5 = 10 ... 30 V

c + d Interface characteristic 1 + 2

10 = 2 outputs, each 1 x rising/falling

Mnnnn Nominal length (4-position)

M0500 = metric in mm
(M0025...M1016: for rod diameter
8 mm)
(M0025...M7620: for rod diameter
10.2 mm)

f Style

K = Compact rod, plug-in flange 18h6,
for O-Ring

g Form factor characteristic

8 = Rod diameter 8 mm
- = Rod diameter 10.2 mm

l Connection type

SR = Connector
K = Cable out radial (PUR)
F = Cable out radial (PTFE)

m Connection type characteristic 1

for connector:

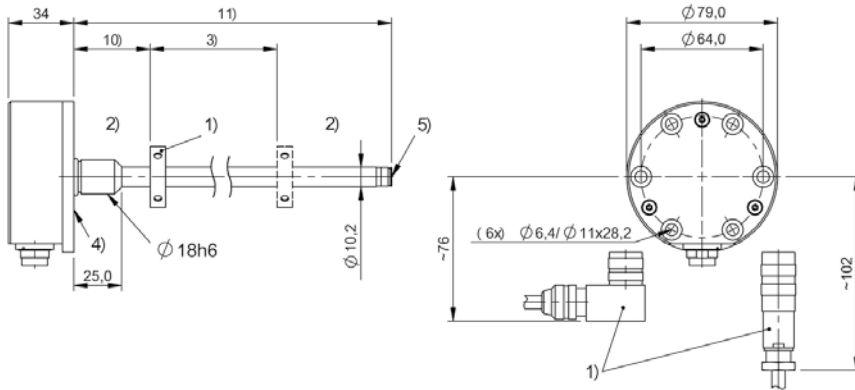
32 = M16x0.75 connector with 8 pins

115 = M12x1 connector with 8 pins

for cable (length in meters):

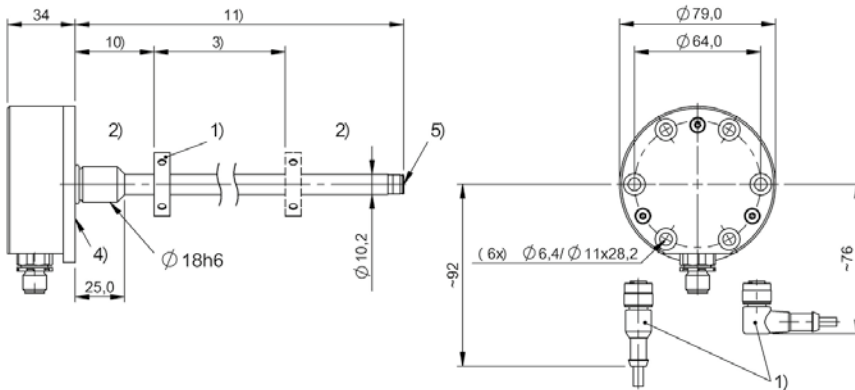
02, 05, 10, 15, 20, 30

BTL7-A510-Mxxxx-K-SR32



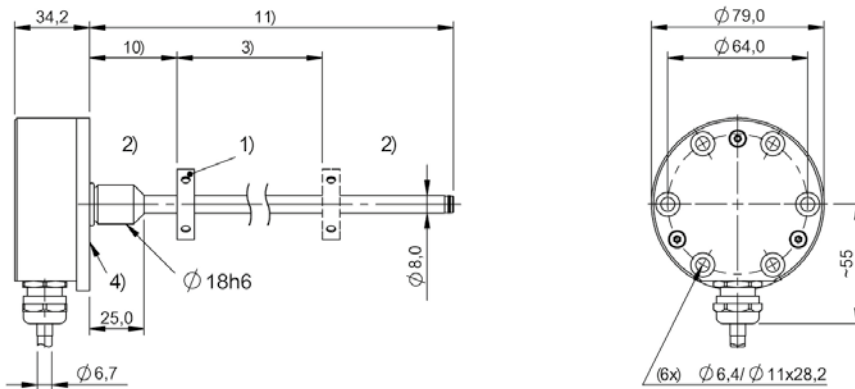
- 1) not included in scope of delivery
- 2) Non-usable area
- 3) Nominal length = Measuring length
- 4) Mounting surface
- 5) Internal threads M4x4/6 deep
- 10) Null point
- 11) Installation length

BTL7-G510-Mxxxx-K-SR115



- 1) not included in scope of delivery
- 2) Non-usable area
- 3) Nominal length = Measuring length
- 4) Mounting surface
- 5) Internal threads M4x4/6 deep
- 10) Null point
- 11) Installation length

BTL7-A510-Mxxxx-K8-Kxx



- 1) not included in scope of delivery
- 2) Non-usable area
- 3) Nominal length = Measuring length
- 4) Mounting surface
- 10) Null point
- 11) Installation length



	BTL7 -K- SERIES - ANALOG CURRENT
Interface	Analog, current
Measuring length	25...7620 mm
Repeat accuracy	± 10 µm
Linearity deviation	nmm = 0050...0500: ± 50 µm, nmm = 0501...5500: ± 0.01% FS, nmm > 5500: ± 0.02% FS
Operating voltage U _b	10...30 VDC
Ambient temperature	-40...85 °C
Mechanical configuration	Fastening 18h6 fit
Housing material	Stainless steel (1.4305)
IP rating	I = S: IP67 with connector I = K: IP68
Approval/Conformity	I = K: CE + cULus + EAC + WEEE I = F: CE + EAC + WEEE
Ex category	—

BTL7-abcd-Mnnnn-fg-lm

BTL7

Magnetostrictive linear position sensor
Generation 7

a interface

C = Current output 0 ... 20 mA
E = Current output 4 ... 20 mA

b Operating voltage

5 = 10 ... 30 V

c + d Interface characteristic 1 + 2

00 = 1 output, rising
70 = 1 output, falling

Mnnnn Nominal length (4-position)

M0500 = metric in mm
(M0025...M1016: for rod diameter
8 mm)
(M0025...M7620: for rod diameter
10.2 mm)

f Style

K = Compact rod, plug-in flange 18h6,
for O-Ring

g Form factor characteristic

8 = Rod diameter 8 mm
- = Rod diameter 10.2 mm

l Connection type

SR = Connector
K = Cable out radial (PUR)
F = Cable out radial (PTFE)

m Connection type characteristic 1

for connector:

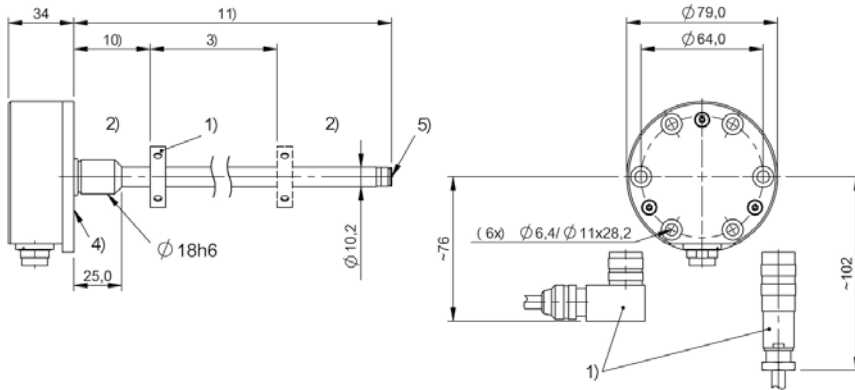
32 = M16x0.75 connector with 8 pins

115 = M12x1 connector with 8 pins

for cable (length in meters):

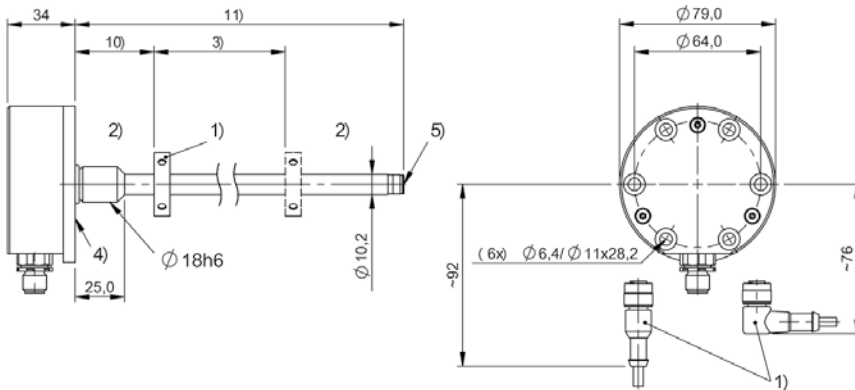
02, 05, 10, 15, 20, 50, 100

BTL7-E500-Mxxxx-K-SR32



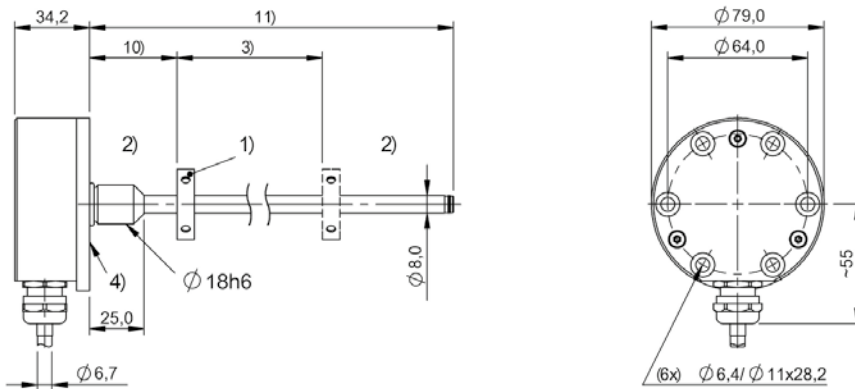
- 1) not included in scope of delivery
- 2) Non-usable area
- 3) Nominal length = Measuring length
- 4) Mounting surface
- 5) Internal threads M4x4/6 deep
- 10) Null point
- 11) Installation length

BTL7-C570-Mxxxx-K-SR115



- 1) not included in scope of delivery
- 2) Non-usable area
- 3) Nominal length = Measuring length
- 4) Mounting surface
- 5) Internal threads M4x4/6 deep
- 10) Null point
- 11) Installation length

BTL7-E570-Mxxxx-K8-Kxx



- 1) not included in scope of delivery
- 2) Non-usable area
- 3) Nominal length = Measuring length
- 4) Mounting surface
- 10) Null point
- 11) Installation length



	BTL5 -K- SERIES - DIGITAL
Interface	Start/Stop
Measuring length	25...4000 mm
Repeat accuracy	2 µm
Linearity deviation	nmm = 0025...0500: ± 100 µm nmm > 0500: ± 0.02% FS
Operating voltage Ub	20...28 VDC
Ambient temperature	-40...85 °C
Mechanical configuration	Fastening 18h6 fit
Housing material	Stainless steel (1.4305)
IP rating	I = S: IP67 with connector I = K: IP68
Approval/Conformity	CE cULus EAC WEEE
Ex category	—

BTL5-ab-Mnnnn-fg-lm

BTL5

Magnetostrictive linear position sensor
Generation 5

a interface

P = Digital pulse interface (falling edge stabilized)
M = Digital pulse interface (rising edge stabilized)

b Operating voltage

1 = 20 ... 28 V

Mnnnn Nominal length (4-position)

M0500 = metric in mm
(M0050...M4000)

f Style

K = Compact rod, plug-in flange 18h6,
for O-Ring

g Form factor characteristic

8 = Rod diameter 8 mm
- = Rod diameter 10.2 mm

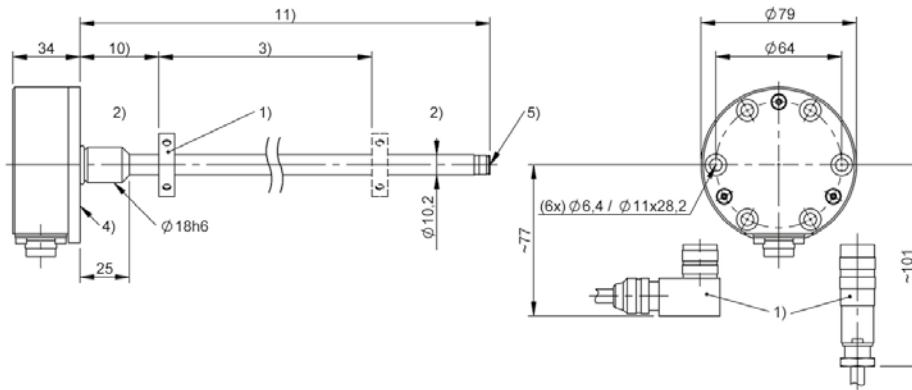
l Connection type

SR = Connector, radial
K = Cable out radial (PUR)

m Connection type characteristic 1

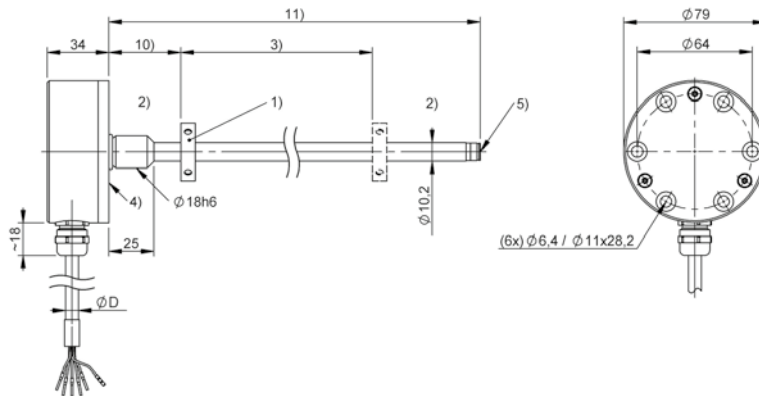
for connector:
32 = M16x0.75 connector with 8 pins
for cable (length in meters):
02, 05, 10, 15, 20

BTL5-A11-Mxxxx-K-SR32



- 1) not included in scope of delivery
- 2) Non-usable area
- 3) Nominal length = Measuring length
- 4) Mounting surface
- 5) Internal threads M4x4/6 deep
- 10) Null point
- 11) Installation length

BTL5-G11-Mxxxx-K8-Kxx



- 1) not included in scope of delivery
- 2) Non-usable area
- 3) Nominal length = Measuring length
- 4) Mounting surface
- 5) Internal threads M4x4/6 deep
- 10) Null point
- 11) Installation length



	BTL5 -K- SERIES - SSI
Interface	SSI
Measuring length	25...4000 mm
Repeat accuracy	± 1 LSB
Linearity deviation	d = 1, 2, 3, 7: nnnn = 25...4000: ± 30µm d = 4, 5, 6, 8 nnnn = 25...4000: ± 2 LSB
Operating voltage Ub	20...28 VDC
Ambient temperature	-40...85 °C
Mechanical configuration	Fastening 18h6 fit
Housing material	Stainless steel (1.4305)
IP rating	I = S: IP67 with connector I = K: IP68
Approval/Conformity	CE cULus EAC WEEE
Ex category	—

BTL5-abcde-Mnnnn-fg-lm

Mnnnn Nominal length (4-position)

M0500 = metric in mm
(M0050...M4000)

BTL5

Magnetostrictive linear position sensor
Generation 5

f Style

K = Compact rod, plug-in flange 18h6,
for O-Ring

a interface

S = SSI

g Form factor characteristic

8 = Rod diameter 8 mm
- = Rod diameter 10.2 mm

b Operating voltage

1 = 20 ... 28 V

l Connection type

SR = Connector, radial
K = Cable out radial (PUR)

c Interface characteristic 1

- 0 = 24 bits, binary, rising
- 1 = 24 bits, gray, rising
- 2 = 24 bits, binary, falling
- 3 = 24 bits, gray, falling
- 6 = 25 bits, binary, rising
- 7 = 25 bits, gray, rising
- 8 = 25 bits, binary, falling
- 9 = 25 bits, gray, falling

m Connection type characteristic 1

for connector:
32 = M16x0.75 connector with 8 pins
for cable (length in meters):
02, 05, 10, 15, 20

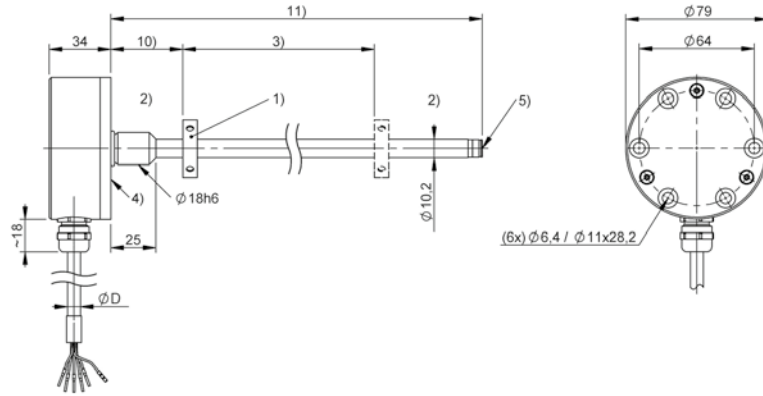
d Interface characteristic 2

- 1 = 1 µm
- 2 = 5 µm
- 3 = 10 µm
- 4 = 20 µm
- 5 = 40 µm
- 6 = 100 µm
- 7 = 2 µm
- 8 = 50 µm

e Interface characteristic 3

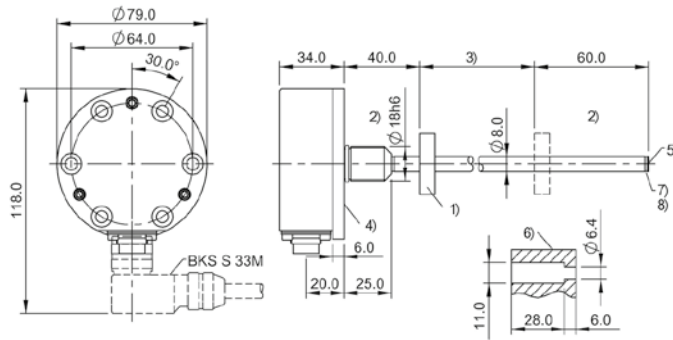
B = Synchronous mode
- = Asynchronous mode

BTL5-Sxxxx-Mxxxx-K-Kxx



- 1) not included in scope of delivery
- 2) Non-usable area
- 3) Nominal length = Measuring length
- 4) Mounting surface
- 5) Internal threads M4x4/6 deep
- 10) Null point
- 11) Installation length

BTL5-Sxxxx-Mxxxx-K8-SR32



- 1) not included in scope of delivery
- 2) Non-usable area
- 3) Nominal length = Measuring length
- 4) Mounting surface
- 5) Internal threads M4x4/6 deep
- 6) Detail locating hole. (6x)
- 7) Lockwasher
- 8) Ø9 DIN 6799



	BTL7 -SF- SERIES - ANALOG VOLTAGE
Interface	Analog, voltage
Measuring length	50...2500 mm
Repeat accuracy	± 10 µm
Linearity deviation	nmm = 0050...0500: ± 50 µm, nmm = 0501...2500: ± 0.01% FS
Operating voltage Ub	10...30 VDC
Ambient temperature	-40...85 °C
Mechanical configuration	Fastening 1 1/2" Tri Clamp
Housing material	Stainless steel (1.4404)
IP rating	IP67
Approval/Conformity	CE 3-A EAC WEEE
Ex category	—

BTL7-abcd-Mnnnn-f-lm

BTL7

Magnetostrictive linear position sensor
Generation 7

a interface

A = Voltage output 0 ... 10 V

b Operating voltage

5 = 10 ... 30 V

c + d Interface characteristic 1 + 2

10 = 2 outputs, each 1 x rising/falling

Mnnnn Nominal length (4-position)

M0500 = metric in mm
(M0025...M2500: for rod diameter
10.2 mm)

f Style

SF = Level transducer, 1.5" Tri-Clamp

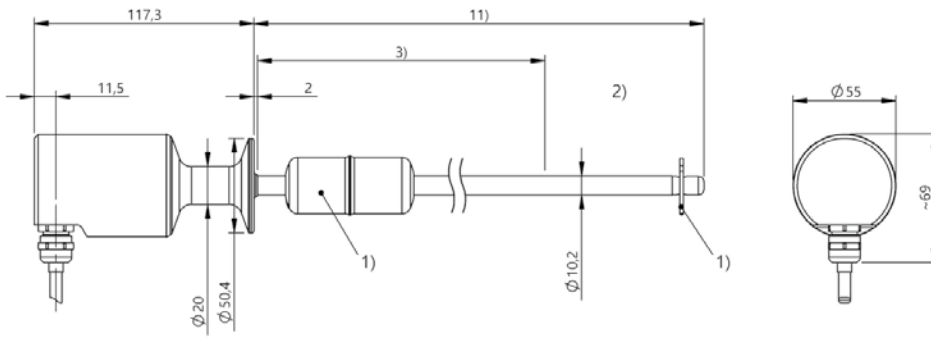
l Connection type

F = Cable out radial (PTFE)

m Connection type characteristic 1

(length in meters)
02, 05, 10, 15, 20, 30

BTL7-A510-Mxxxx-SF-Fxx



- 1) not included in scope of delivery
- 2) Non-usable area
- 3) Nominal length = Measuring length
- 11) Installation length



BTL7 -SF- SERIES - ANALOG CURRENT	
Interface	Analog, current
Measuring length	50...2500 mm
Repeat accuracy	± 10 µm
Linearity deviation	nmm = 0050...0500: ± 50 µm, nmm = 0501...2500: ± 0.01% FS
Operating voltage Ub	10...30 VDC
Ambient temperature	-40...85 °C
Mechanical configuration	Fastening 1 1/2" Tri Clamp
Housing material	Stainless steel (1.4404)
IP rating	IP67
Approval/Conformity	CE 3-A EAC WEEE
Ex category	—

BTL7-abcd-Mnnnn-f-lm

BTL7

Magnetostrictive linear position sensor
Generation 7

a interface

C = Current output 0 ... 20 mA
E = Current output 4 ... 20 mA

b Operating voltage

5 = 10 ... 30 V

c + d Interface characteristic 1 + 2

00 = 1 output, rising
70 = 1 output, falling

Mnnnn Nominal length (4-position)

M0500 = metric in mm
(M0025...M2500: for rod diameter
10.2 mm)

f Style

SF = Level transducer, 1.5" Tri-Clamp

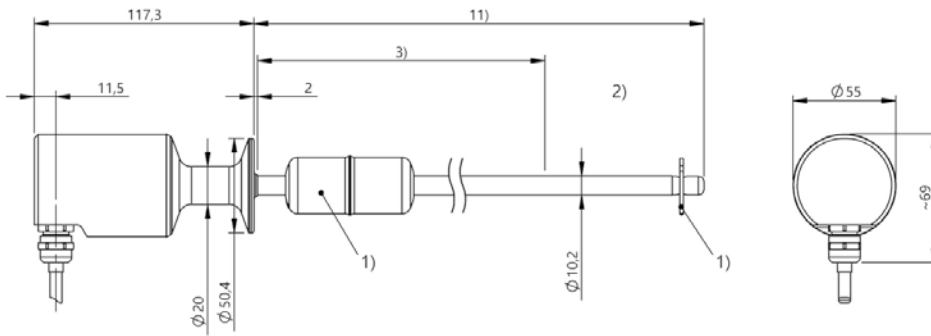
l Connection type

F = Cable out radial (PTFE)

m Connection type characteristic 1

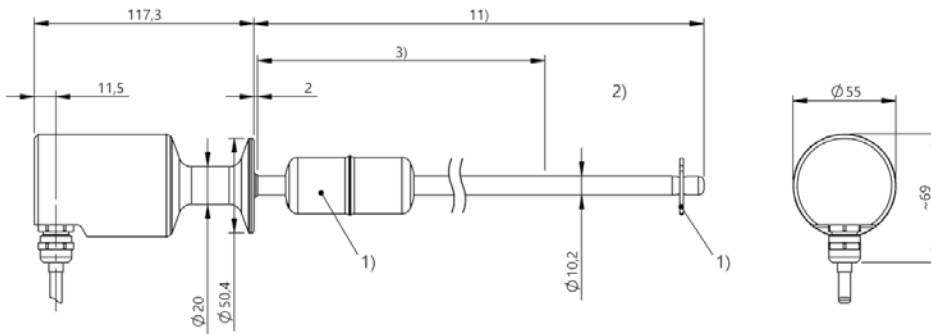
(length in meters)
02, 05, 10, 15, 20, 50, 100

BTL7-E500-Mxxxx-SF-Fxx



- 1) not included in scope of delivery
- 2) Non-usable area
- 3) Nominal length = Measuring length
- 11) Installation length

BTL7-C570-Mxxxx-SF-Fxx



- 1) not included in scope of delivery
- 2) Non-usable area
- 3) Nominal length = Measuring length
- 11) Installation length



BTL6 -E- SERIES - ANALOG VOLTAGE	
Interface	Analog, voltage
Measuring length	50...2000 mm
Repeat accuracy	± 10 µm
Linearity deviation	nmm = 0050...0500: ± 200 µm nmm > 0500: ± 0.04% FS (typ. ± 0.02% FS)
Operating voltage Ub	10...30 VDC
Ambient temperature	-40...85 °C
Mechanical configuration	Fastening 48h7 fit
Housing material	Stainless steel (1.4404)
IP rating	IP67
Approval/Conformity	I = KA: CE + cULus + EAC + WEEE I = LA: CE + EAC + WEEE
Ex category	—

BTL6-abcd-Mnnnn-fg-lm

BTL6

Magnetostrictive linear position sensor
Generation 6

a interface

A = Voltage output 0 ... 10 V
B = Voltage output 0 ... 5 V/0.25 ...
4.75 V/0.5 ... 4.5 V

b Operating voltage

5 = 10 ... 30 V

c + d Interface characteristic 1 + 2

00 = 1 output, rising
02 = 1 output, only if a = B, then 0.25 ...
4.75 V
03 = 1 output, only if a = B, then 0.5 ...
4.5 V

Mnnnn Nominal length (4-position)

M0500 = metric in mm
(M0050...M1016: for rod diameter
8 mm)
(M0050...M2000: for rod diameter
10.2 mm)

f Style

E2 = Mounting flange 18h6

g Form factor characteristic

8 = Rod diameter 8 mm
- = Rod diameter 10.2 mm

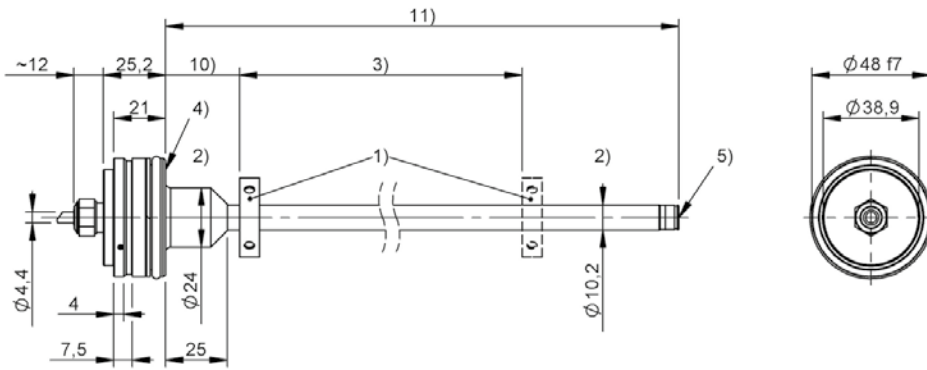
l Connection type

KA = Cable (PUR)
LA = Leads (TPE-E)

m Connection type characteristic 1

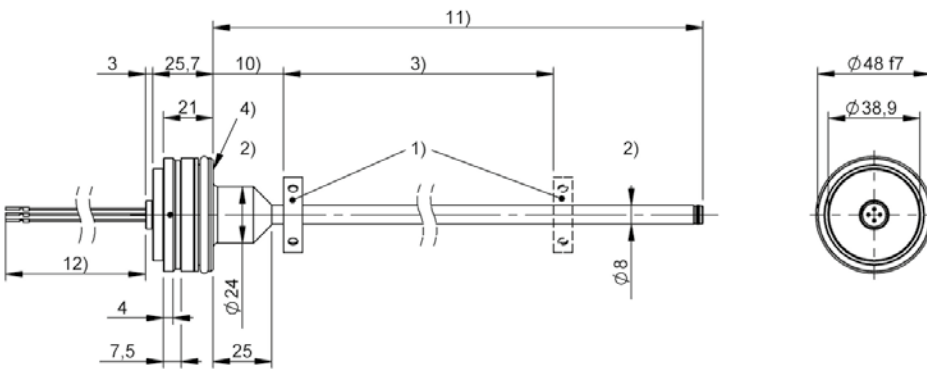
for leads (length in meters):
0,07, 0,15, 0,20, 0,30
for cable (length in meters):
02, 05, 10, 15, 20

BTL6-A500-Mxxxx-E2-KAxx



- 1) not included in scope of delivery
- 2) Non-usable area
- 3) Nominal length = Measuring length
- 4) Mounting surface
- 5) Internal threads M4x4/6 deep
- 10) Null point
- 11) Installation length
- 12) Cable length

BTL6-B500-Mxxxx-E28-LAxx



- 1) not included in scope of delivery
- 2) Non-usable area
- 3) Nominal length = Measuring length
- 4) Mounting surface
- 10) Null point
- 11) Installation length
- 12) Cable length



	BTL6 -E- SERIES - ANALOG CURRENT
Interface	Analog, current
Measuring length	50...2000 mm
Repeat accuracy	± 5 µm
Linearity deviation	nmm = 0050...0500: ± 200 µm nmm > 0500: ± 0.04% FS (typ. ± 0.02% FS)
Operating voltage Ub	10...30 VDC
Ambient temperature	-40...85 °C
Mechanical configuration	Fastening 48h7 fit
Housing material	Stainless steel (1.4404)
IP rating	IP67
Approval/Conformity	I = KA: CE + cULus + EAC + WEEE I = LA: CE + EAC + WEEE
Ex category	—

BTL6-abcd-Mnnnn-fg-lm

BTL6

Magnetostrictive linear position sensor
Generation 6

a interface

E = Current output 4 ... 20 mA

b Operating voltage

5 = 10 ... 30 V

c + d Interface characteristic 1 + 2

00 = 1 output, rising

Mnnnn Nominal length (4-position)

M0500 = metric in mm
(M0050...M1016: for rod diameter
8 mm)
(M0050...M2000: for rod diameter
10.2 mm)

f Style

E2 = Mounting flange 18h6

g Form factor characteristic

8 = Rod diameter 8 mm
- = Rod diameter 10.2 mm

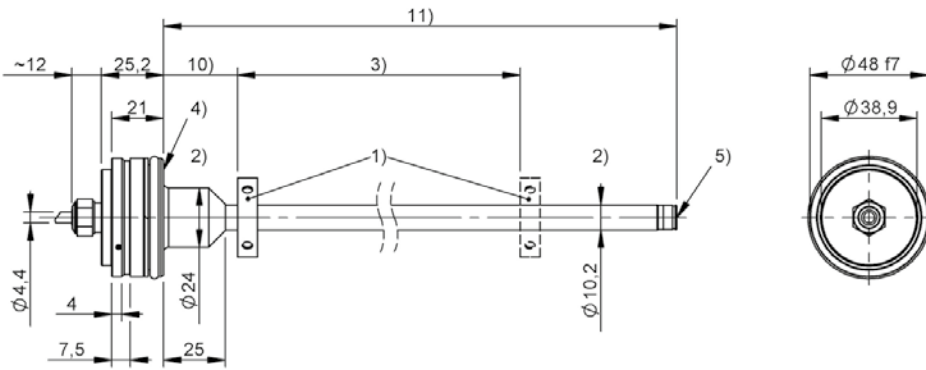
l Connection type

KA = Cable (PUR)
LA = Leads (TPE-E)

m Connection type characteristic 1

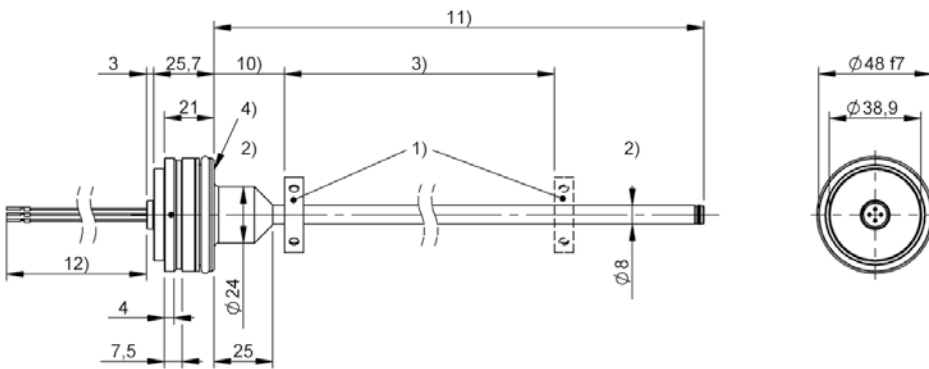
for leads (length in meters):
0,07, 0,15, 0,20, 0,30
for cable (length in meters):
02, 05, 10, 15, 20, 30

BTL6-E500-Mxxxx-E2-KAxx



- 1) not included in scope of delivery
- 2) Non-usable area
- 3) Nominal length = Measuring length
- 4) Mounting surface
- 5) Internal threads M4x4/6 deep
- 10) Null point
- 11) Installation length
- 12) Cable length

BTL6-E500-Mxxxx-E28-LAxx



- 1) not included in scope of delivery
- 2) Non-usable area
- 3) Nominal length = Measuring length
- 4) Mounting surface
- 10) Null point
- 11) Installation length
- 12) Cable length



	BTL6 -E- SERIES - DIGITAL
Interface	Digital pulse
Measuring length	50...2000 mm
Repeat accuracy	≤ 30 µm
Linearity deviation	nmm = 0050...0500: ± 200 µm, nmm > 0500: ± 0.04% FS (typ. ± 0.02% FS)
Operating voltage Ub	10...30 VDC
Ambient temperature	-40...85 °C
Mechanical configuration	Fastening 48h7 fit
Housing material	Stainless steel (1.4404)
IP rating	IP67
Approval/Conformity	I = KA: CE + cULus + EAC + WEEE I = LA: CE + EAC + WEEE
Ex category	—

BTL6-abcd-Mnnnn-fg-lm

BTL6

Magnetostrictive linear position sensor
Generation 6

a interface

P = Digital pulse interface

b Operating voltage

5 = 10 ... 30 V

c + d Interface characteristic 1 + 2

10 = Digital start/stop interface

Mnnnn Nominal length (4-position)

M0500 = metric in mm
(M0050...M1016: for rod diameter
8 mm)
(M0050...M2000: for rod diameter
10.2 mm)

f Style

E2 = Mounting flange 18h6

g Form factor characteristic

8 = Rod diameter 8 mm
- = Rod diameter 10.2 mm

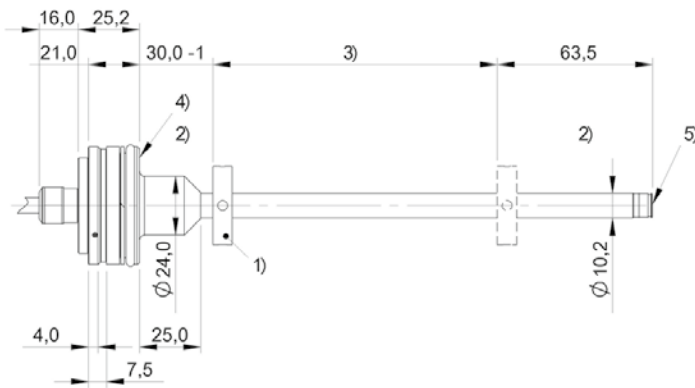
l Connection type

KA = Cable (PUR)
LA = Leads (TPE-E)

m Connection type characteristic 1

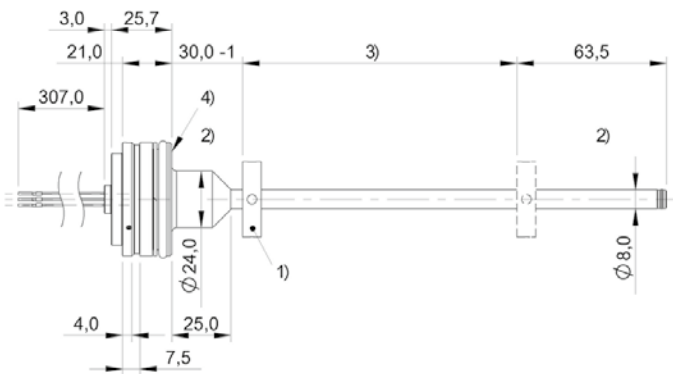
for leads (length in meters):
0,07, 0,15, 0,20, 0,30
for cable (length in meters):
02, 05, 10, 15, 20, 30

BTL6-P510-Mxxxx-E2-KAxx



- 1) not included in scope of delivery
- 2) Non-usable area
- 3) Nominal length = Measuring length
- 4) Mounting surface
- 5) Internal threads M4x4/6 deep

BTL6-P510-Mxxxx-E28-LAxx



- 1) not included in scope of delivery
- 2) Non-usable area
- 3) Nominal length = Measuring length
- 4) Mounting surface



	BTL7 -TB- SERIES - ANALOG VOLTAGE
Interface	Analog, voltage
Measuring length	25...7620 mm
Repeat accuracy	± 10 µm
Linearity deviation	nmm = 0050...0500: ± 200 µm nmm > 0500: ± 0.04% FS
Operating voltage Ub	10...30 VDC
Ambient temperature	-40...85 °C
Mechanical configuration	Fastening M18 threads
Housing material	Aluminum, Anodized
IP rating	IP67
Approval/Conformity	nmm ≤ 500: I = S, KA: CE + cULus + EAC + GL + WEEE I = FA: CE + EAC + GL + WEEE nmm > 500: I = S, KA: CE + cULus + EAC + WEEE I = FA: CE + EAC + WEEE
Ex category	—

BTL7-abcd-Mnnnn-fh-lm

BTL7

Magnetostrictive linear position sensor
Generation 7

a interface

A = Voltage output 0 ... 10 V
G = voltage output -10 ... 10 V

b Operating voltage

5 = 10 ... 30 V

c + d Interface characteristic 1 + 2

04 = 1 output rising, configurable
05 = 1 output falling, configurable

Mnnnn Nominal length (4-position)

M0500 = metric in mm
(M0025...M7620: for rod diameter
10.2 mm)

f Form factor

TB = Mounting threads M18x1.5,
for O-Ring

h Redundant

2 = 2 times redundant
3 = 3 times redundant

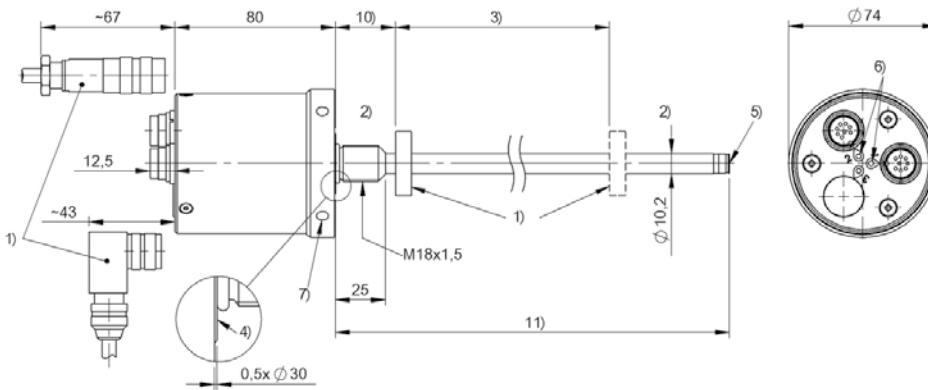
l Connection type

S = Connector
KA = Cable (PUR)
FA = Cable (PTFE)

m Connection type characteristic 1

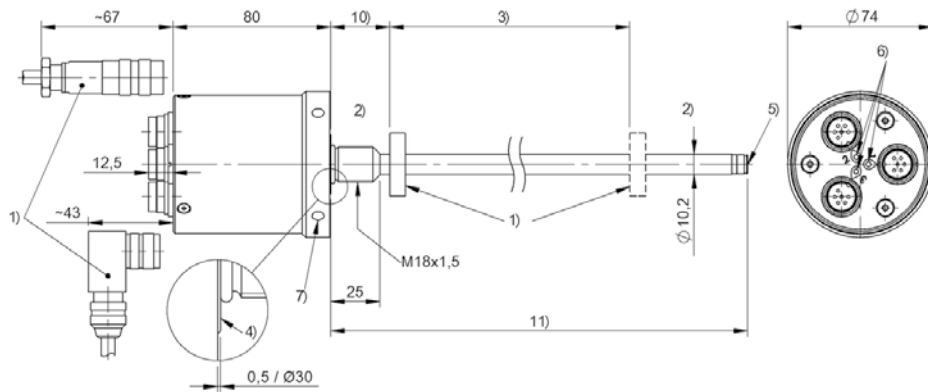
for connector:
32 = M16x0.75 connector with 8 pins
135 = M16x0.75 connector with 6 pins
for cable (length in meters):
02, 05, 10, 15, 20

BTL7-A504-Mxxxx-TB2-S32



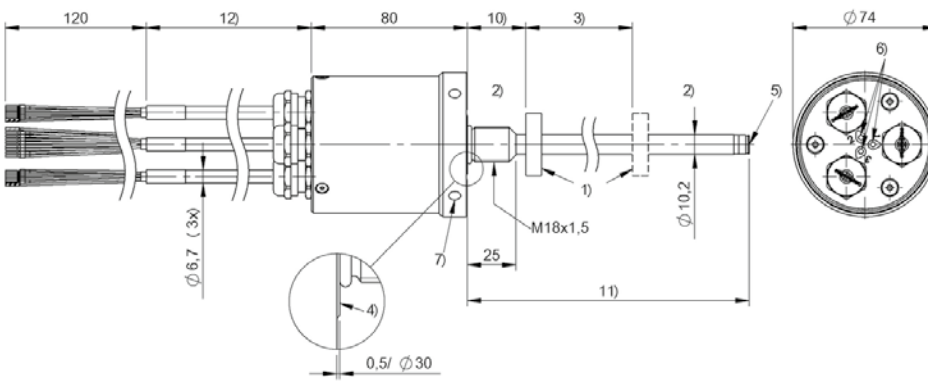
- 1) not included in scope of delivery
- 2) Non-usable area
- 3) Nominal length = Measuring length
- 4) Mounting surface
- 5) Internal threads M4x4/6 deep
- 6) LED function indicator
- 7) Ø6.1 for hook wrench Ø74
- 10) Null point
- 11) Installation length

BTL7-G505-Mxxxx-TB3-S135



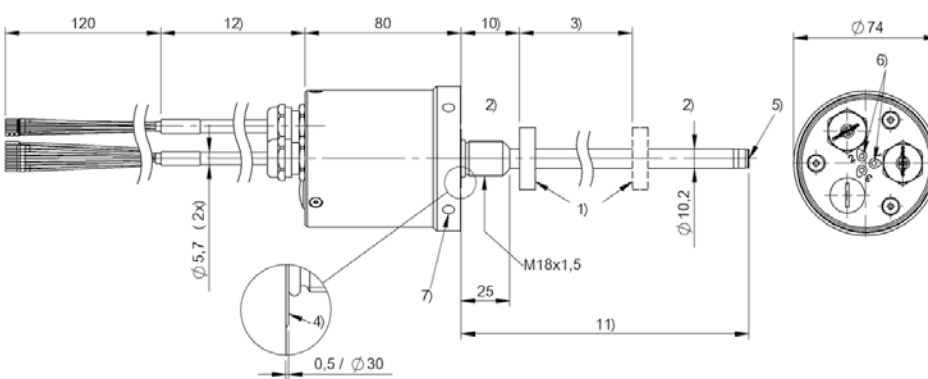
- 1) not included in scope of delivery
- 2) Non-usable area
- 3) Nominal length = Measuring length
- 4) Mounting surface
- 5) Internal threads M4x4/6 deep
- 6) LED function indicator
- 7) Ø6.1 for hook wrench Ø74
- 10) Null point
- 11) Installation length

BTL7-A505-Mxxxx-TB3-KAxx



- 1) not included in scope of delivery
- 2) Non-usable area
- 3) Nominal length = Measuring length
- 4) Mounting surface
- 5) Internal threads M4x4/6 deep
- 6) LED function indicator
- 7) Ø6.1 for hook wrench Ø74
- 10) Null point
- 11) Installation length
- 12) Cable length

BTL7-G504-Mxxxx-TB2-FAxx



- 1) not included in scope of delivery
- 2) Non-usable area
- 3) Nominal length = Measuring length
- 4) Mounting surface
- 5) Internal threads M4x4/6 deep
- 6) LED function indicator
- 7) Ø6.1 for hook wrench Ø74
- 10) Null point
- 11) Installation length
- 12) Cable length



BTL7 -TB- SERIES - ANALOG CURRENT	
Interface	Analog, current
Measuring length	25...7620 mm
Repeat accuracy	± 5 µm
Linearity deviation	nmm = 0050...0500: ± 200 µm, nmm > 0500: ± 0.04% FS
Operating voltage Ub	10...30 VDC
Ambient temperature	-40...85 °C
Mechanical configuration	Fastening M18 threads
Housing material	Aluminum, Anodized
IP rating	IP67
Approval/Conformity	nmm ≤ 500: I = S, KA: CE + cULus + EAC + GL + WEEE I = FA: CE + EAC + GL + WEEE nmm > 500: I = S, KA: CE + cULus + EAC + WEEE I = FA: CE + EAC + WEEE
Ex category	—

BTL7-abcd-Mnnnn-fh-Im

BTL7

Magnetostrictive linear position sensor
Generation 7

a interface

C = Current output 0 ... 20 mA
E = Current output 4 ... 20 mA

b Operating voltage

5 = 10 ... 30 V

c + d Interface characteristic 1 + 2

04 = 1 output rising, configurable
05 = 1 output falling, configurable

Mnnnn Nominal length (4-position)

M0500 = metric in mm
(M0025...M7620: for rod diameter
10.2 mm)

f Form factor

TB = Mounting threads M18x1.5,
for O-Ring

h Redundant

2 = 2 times redundant
3 = 3 times redundant

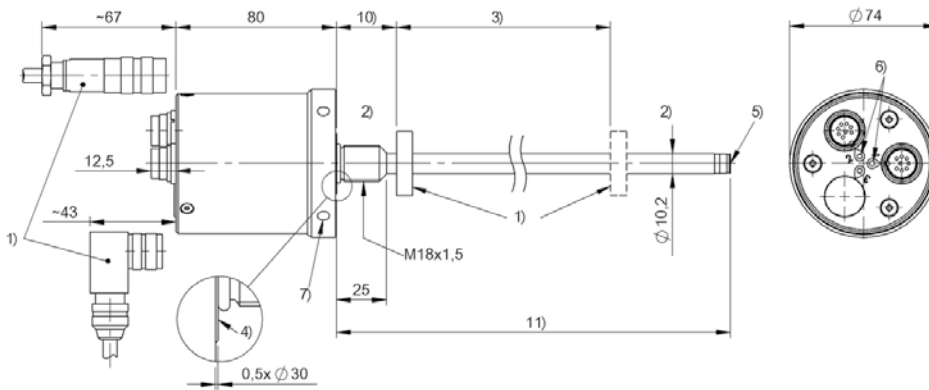
I Connection type

S = Connector
KA = Cable (PUR)
FA = Cable (PTFE)

m Connection type characteristic 1

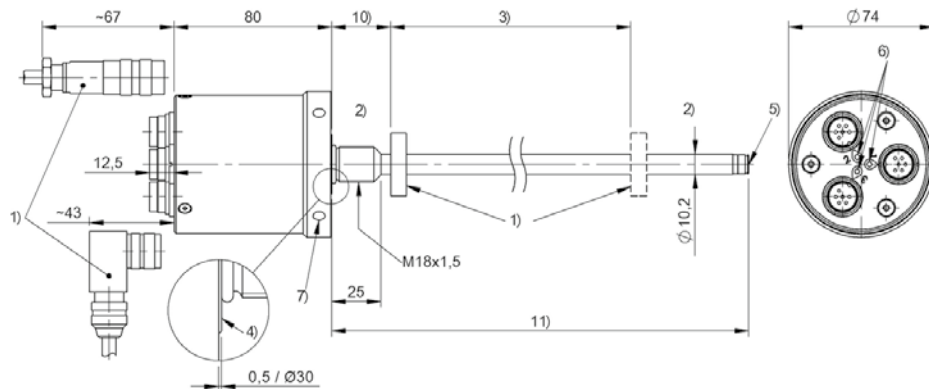
for connector:
32 = M16x0.75 connector with 8 pins
135 = M16x0.75 connector with 6 pins
for cable (length in meters):
02, 05, 10, 15, 20

BTL7-E504-Mxxxx-TB2-S32



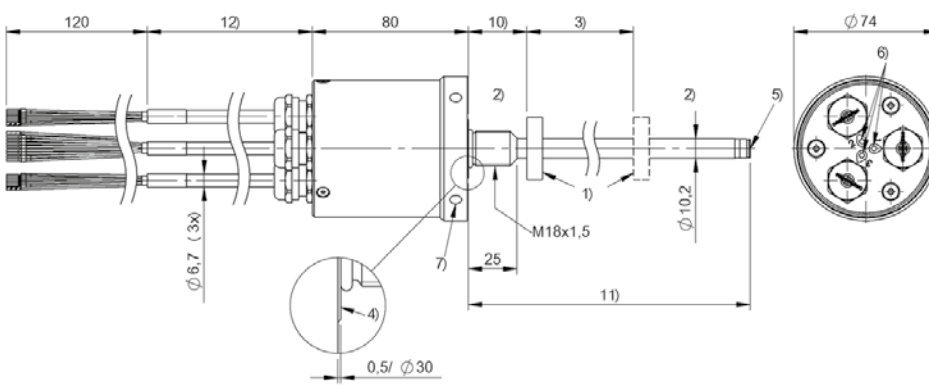
- 1) not included in scope of delivery
- 2) Non-usable area
- 3) Nominal length = Measuring length
- 4) Mounting surface
- 5) Internal threads M4x4/6 deep
- 6) LED function indicator
- 7) Ø6.1 for hook wrench Ø74
- 10) Null point
- 11) Installation length

BTL7-C505-Mxxxx-TB3-S135



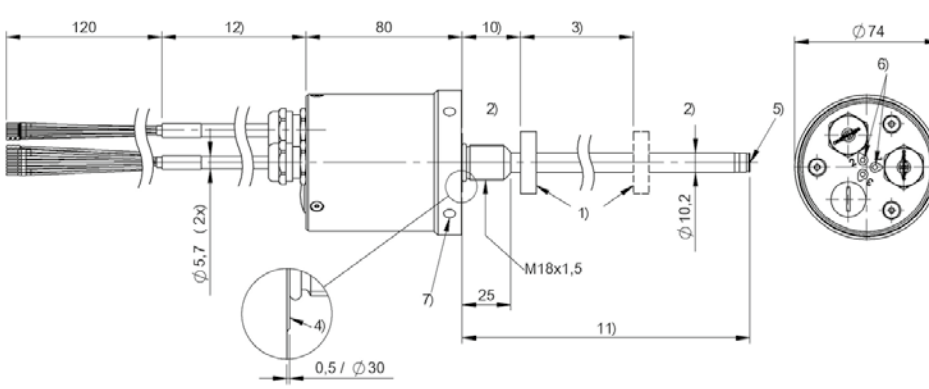
- 1) not included in scope of delivery
- 2) Non-usable area
- 3) Nominal length = Measuring length
- 4) Mounting surface
- 5) Internal threads M4x4/6 deep
- 6) LED function indicator
- 7) Ø6.1 for hook wrench Ø74
- 10) Null point
- 11) Installation length

BTL7-E505-Mxxxx-TB3-KAxx



- 1) not included in scope of delivery
- 2) Non-usable area
- 3) Nominal length = Measuring length
- 4) Mounting surface
- 5) Internal threads M4x4/6 deep
- 6) LED function indicator
- 7) Ø6.1 for hook wrench Ø74
- 10) Null point
- 11) Installation length
- 12) Cable length

BTL7-C504-Mxxxx-TB2-FAxx



- 1) not included in scope of delivery
- 2) Non-usable area
- 3) Nominal length = Measuring length
- 4) Mounting surface
- 5) Internal threads M4x4/6 deep
- 6) LED function indicator
- 7) Ø6.1 for hook wrench Ø74
- 10) Null point
- 11) Installation length
- 12) Cable length



	BTL7 -TB- SERIES - DIGITAL
Interface	Digital pulse
Measuring length	25...7620 mm
Repeat accuracy	≤ ± 5 µm
Linearity deviation	nmm = 25...2000: ± 60 µm nmm = 2001...5500: ± 200 µm nmm > 5500: ± 0.04% FS
Operating voltage Ub	10...30 VDC
Ambient temperature	-40...85 °C
Mechanical configuration	Fastening M18 threads
Housing material	Aluminum, Anodized
IP rating	IP67
Approval/Conformity	I = S, KA: CE + cULus + EAC + WEEE I = FA: CE + EAC + WEEE
Ex category	—

BTL7-abcd-Mnnnn-fh-Im

BTL7

Magnetostrictive linear position sensor
Generation 7

a Interface

P = Digital pulse interface

b Operating voltage

5 = 10 ... 30 V

c Interface characteristic 1

1 = Digital start/stop interface

d Interface characteristic 2

1 = DPI/IP communication interface

Mnnnn Nominal length (4-position)

M0500 = metric in mm
(M0025...M7620: for rod diameter
10.2 mm)

f Form factor

TB = Mounting threads M18x1.5,
for O-Ring

h Redundancy

2 = 2 times redundant
3 = 3 times redundant

I Connection type

S = Connector
KA = Cable (PUR)
FA = Cable (PTFE)

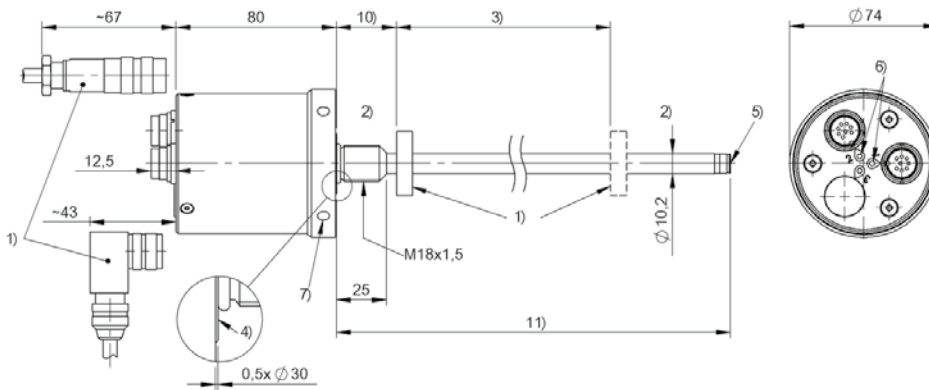
m Connection type characteristic 1

for connector:
32 = M16x0.75 connector with 8 pins

for cable (length in meters):

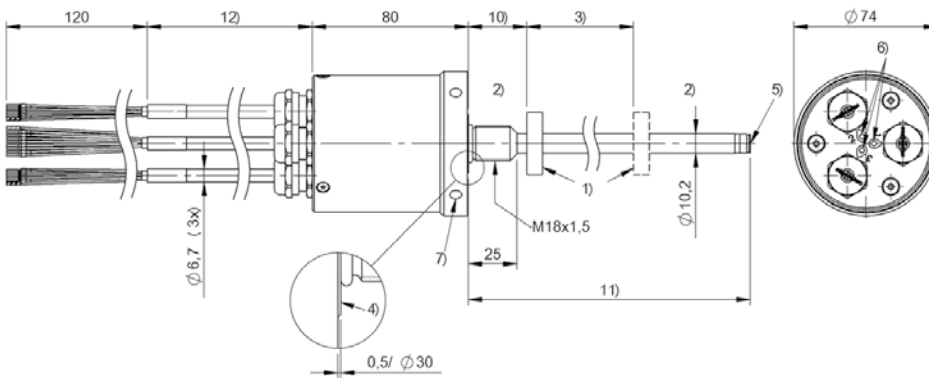
02, 05, 10,
15, 20 (only when h = 2 and Mnnnn <
2541 mm)

BTL7-P511-Mxxxx-TB2-S32



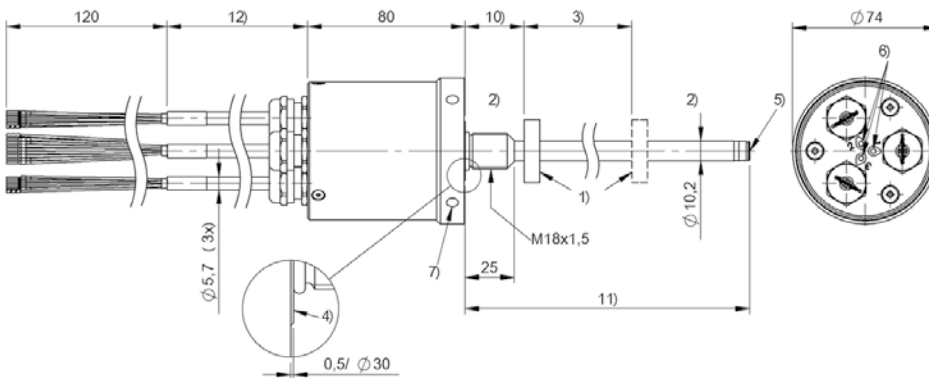
- 1) not included in scope of delivery
- 2) Non-usable area
- 3) Nominal length = Measuring length
- 4) Mounting surface
- 5) Internal threads M4x4/6 deep
- 6) LED function indicator
- 7) $\varnothing 6.1$ for hook wrench $\varnothing 74$
- 10) Null point
- 11) Installation length

BTL7-P511-Mxxxx-TB3-KAxx



- 1) not included in scope of delivery
- 2) Non-usable area
- 3) Nominal length = Measuring length
- 4) Mounting surface
- 5) Internal threads M4x4/6 deep
- 6) LED function indicator
- 7) $\varnothing 6.1$ for hook wrench $\varnothing 74$
- 10) Null point
- 11) Installation length
- 12) Cable length

BTL7-P511-Mxxxx-TB3-FAxx



- 1) not included in scope of delivery
- 2) Non-usable area
- 3) Nominal length = Measuring length
- 4) Mounting surface
- 5) Internal threads M4x4/6 deep
- 6) LED function indicator
- 7) $\varnothing 6.1$ for hook wrench $\varnothing 74$
- 10) Null point
- 11) Installation length
- 12) Cable length



	BTL7 -TB- SERIES - SSI
Interface	SSI
Measuring length	25...7620 mm
Repeat accuracy	$\leq \pm 5 \mu\text{m}$
Linearity deviation	d = 1, 2, 3, 7, 9: nnnn = 25...2000: $\pm 60 \mu\text{m}$ nnnn = 2001...5500: $\pm 200 \mu\text{m}$ d = 4, 5: nnnn = 25...2000: $\pm 4 \text{ LSB}$ nnnn = 2001...5500: $\pm 200 \mu\text{m}$ d = 6, 8: nnnn = 25...5500: $\pm 4 \text{ LSB}$ nnnn > 5500: $\pm 0.04\% \text{ FS}$
Operating voltage U_b	10...30 VDC
Ambient temperature	-40...85 °C
Mechanical configuration	Fastening M18 threads
Housing material	Aluminum, Anodized
IP rating	IP67
Approval/Conformity	I = S, KA: CE + cULus + EAC + WEEE I = FA: CE + EAC + WEEE
Ex category	—

BTL7-abcde-Mnnnn-fh-Im

BTL7

Magnetostrictive linear position sensor
Generation 7

a interface

S = SS

b Operating voltage

5 = 10 ... 30 V

c Interface characteristic 1

0 = 24 bits, binary, rising
 1 = 24 bits, gray, rising
 2 = 24 bits, binary, falling
 3 = 24 bits, gray, falling
 6 = 25 bits, binary, rising
 7 = 25 bits, gray, rising
 8 = 25 bits, binary, falling
 9 = 25 bits, gray, falling
 A = 26 bits, binary, rising
 B = 26 bits, gray, rising
 C = 26 bits, binary, falling
 D = 26 bits, gray, falling

d Interface characteristic 2

1 = 1 μm
 2 = 5 μm
 3 = 10 μm
 4 = 20 μm
 5 = 40 μm
 6 = 100 μm
 7 = 2 μm
 8 = 50 μm

e Interface characteristic 3

B = Synchronous mode
 - = Asynchronous mode

Mnnnn Nominal length (4-position)

M0500 = metric in mm
 (M0025...M7620: for rod diameter
 10.2 mm)

f Form factor

TB = Mounting threads M18x1.5,
 for O-Ring

g Form factor characteristic

- = Rod diameter 10.2 mm

h Redundant

2 = 2 times redundant
 3 = 3 times redundant

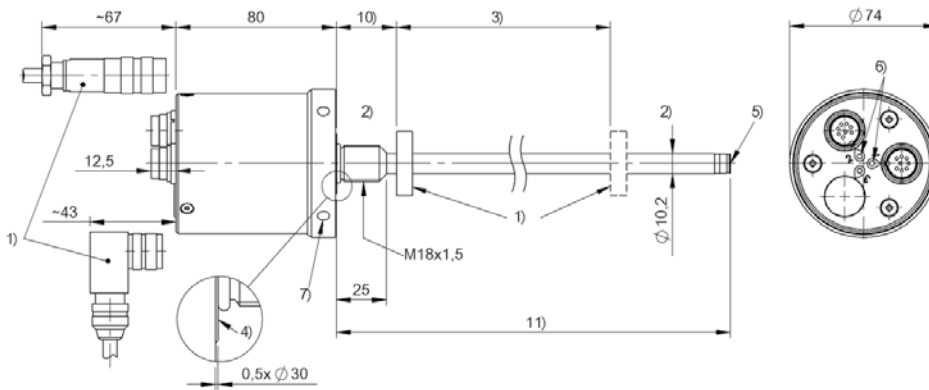
I Connection type

S = Connector
 KA = Cable (PUR)
 FA = Cable (PTFE)

m Connection type characteristic 1

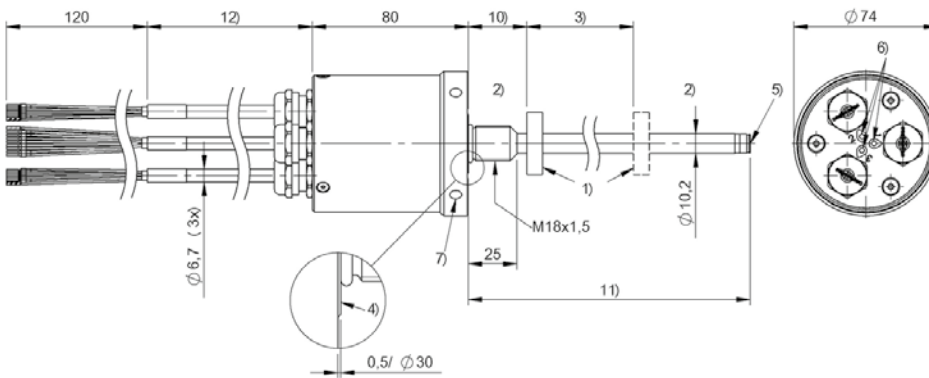
for connector:
 32 = M16x0.75 connector with 8 pins
 for cable (length in meters):
 02, 05, 10, 15, 20

BTL7-S5xxD-Mxxxx-TB2-S32



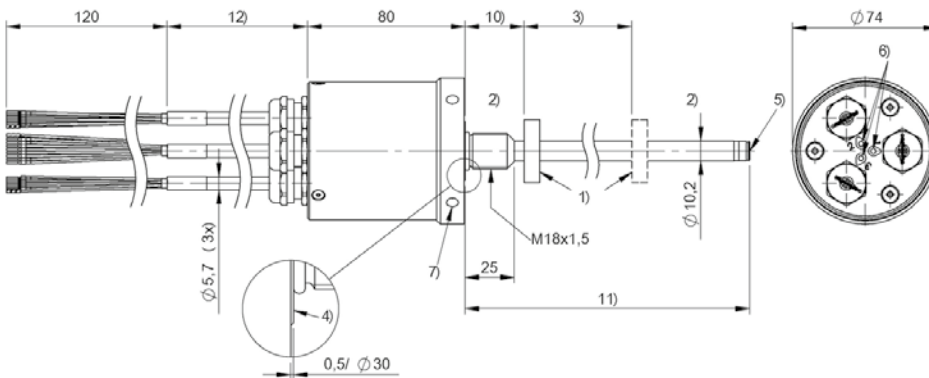
- 1) not included in scope of delivery
- 2) Non-usable area
- 3) Nominal length = Measuring length
- 4) Mounting surface
- 5) Internal threads M4x4/6 deep
- 6) LED function indicator
- 7) $\varnothing 6.1$ for hook wrench $\varnothing 74$
- 10) Null point
- 11) Installation length

BTL7-S5xxD-Mxxxx-TB3-KAxx



- 1) not included in scope of delivery
- 2) Non-usable area
- 3) Nominal length = Measuring length
- 4) Mounting surface
- 5) Internal threads M4x4/6 deep
- 6) LED function indicator
- 7) $\varnothing 6.1$ for hook wrench $\varnothing 74$
- 10) Null point
- 11) Installation length
- 12) Cable length

BTL7-S5xxD-Mxxxx-TB3-FAxx



- 1) not included in scope of delivery
- 2) Non-usable area
- 3) Nominal length = Measuring length
- 4) Mounting surface
- 5) Internal threads M4x4/6 deep
- 6) LED function indicator
- 7) $\varnothing 6.1$ for hook wrench $\varnothing 74$
- 10) Null point
- 11) Installation length
- 12) Cable length



	BTL7 -TZ- SERIES - ANALOG VOLTAGE
Interface	Analog, voltage
Measuring length	25...7620 mm
Repeat accuracy	± 10 µm
Linearity deviation	nmm = 0050...0500: ± 200 µm, nmm > 0500: ± 0.04% FS
Operating voltage Ub	10...30 VDC
Ambient temperature	-40...85 °C
Mechanical configuration	Fastening 3/4" threads
Housing material	Aluminum, Anodized
IP rating	IP67
Approval/Conformity	nmm ≤ 500: I = S, KA: CE + cULus + EAC + GL + WEEE I = FA: CE + EAC + GL + WEEE nmm > 500: I = S, KA: CE + cULus + EAC + WEEE I = FA: CE + EAC + WEEE
Ex category	—

BTL7-abcd-Mnnnn-fh-Im

BTL7

Magnetostrictive linear position sensor
Generation 7

a interface

A = Voltage output 0 ... 10 V
G = voltage output -10 ... 10 V

b Operating voltage

5 = 10 ... 30 V

c + d Interface characteristic 1 + 2

04 = 1 output rising, configurable
05 = 1 output falling, configurable

Mnnnn Nominal length (4-position)

M0500 = metric in mm
(M0025...M7620: for rod diameter
10.2 mm)

f Form factor

TZ = Threads 3/4"-16UNF, for O-Ring

h Redundant

2 = 2 times redundant
3 = 3 times redundant

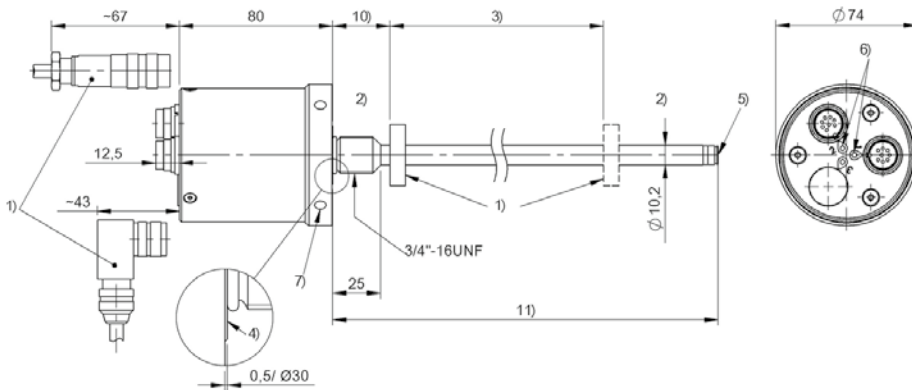
I Connection type

S = Connector
KA = Cable (PUR)
FA = Cable (PTFE)

m Connection type characteristic 1

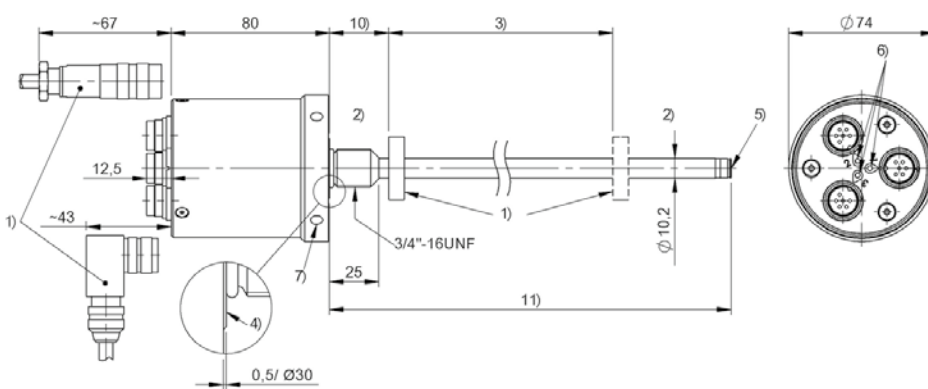
for connector:
32 = M16x0.75 connector with 8 pins
135 = M16x0.75 connector with 6 pins
for cable (length in meters):
02, 05, 10, 15, 20

BTL7-A504-Mxxxx-TZ2-S32



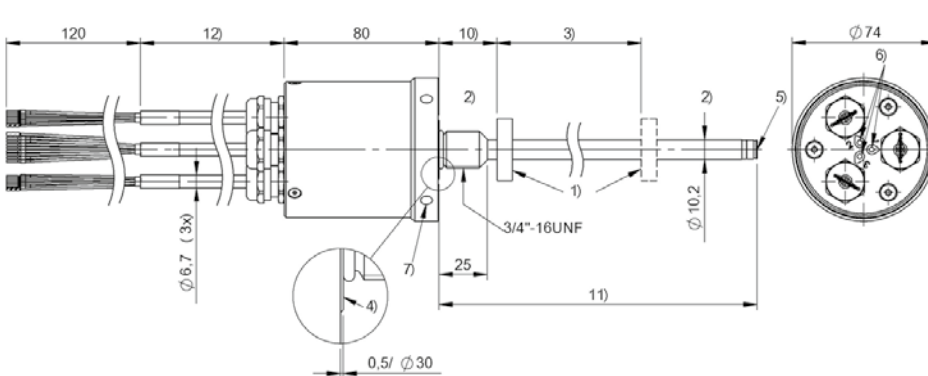
- 1) not included in scope of delivery
- 2) Non-usable area
- 3) Nominal length = Measuring length
- 4) Mounting surface
- 5) Internal threads M4x4/6 deep
- 6) LED function indicator
- 7) $\phi 6.1$ for hook wrench $\phi 74$
- 10) Null point
- 11) Installation length

BTL7-G505-Mxxxx-TZ3-S135



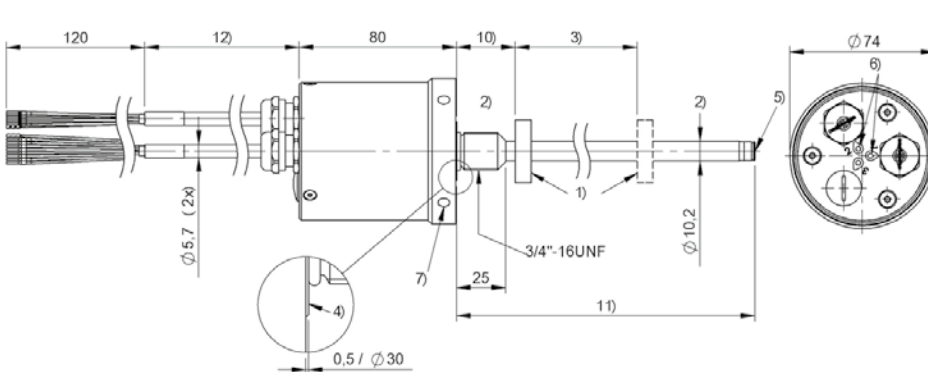
- 1) not included in scope of delivery
- 2) Non-usable area
- 3) Nominal length = Measuring length
- 4) Mounting surface
- 5) Internal threads M4x4/6 deep
- 6) LED function indicator
- 7) $\phi 6.1$ for hook wrench $\phi 74$
- 10) Null point
- 11) Installation length

BTL7-A505-Mxxxx-TZ3-KAxx



- 1) not included in scope of delivery
- 2) Non-usable area
- 3) Nominal length = Measuring length
- 4) Mounting surface
- 5) Internal threads M4x4/6 deep
- 6) LED function indicator
- 7) $\phi 6.1$ for hook wrench $\phi 74$
- 10) Null point
- 11) Installation length
- 12) Cable length

BTL7-G504-Mxxxx-TZ2-FAxx



- 1) not included in scope of delivery
- 2) Non-usable area
- 3) Nominal length = Measuring length
- 4) Mounting surface
- 5) Internal threads M4x4/6 deep
- 6) LED function indicator
- 7) $\phi 6.1$ for hook wrench $\phi 74$
- 10) Null point
- 11) Installation length
- 12) Cable length



BTL7 -TZ- SERIES - ANALOG CURRENT	
Interface	Analog, current
Measuring length	25...7620 mm
Repeat accuracy	± 5 µm
Linearity deviation	nmm = 0050...0500: ± 200 µm, nmm > 0500: ± 0.04% FS
Operating voltage Ub	10...30 VDC
Ambient temperature	-40...85 °C
Mechanical configuration	Fastening 3/4" threads
Housing material	Aluminum, Anodized
IP rating	IP67
Approval/Conformity	nmm ≤ 500: I = S, KA: CE + cULus + EAC + GL + WEEE I = FA: CE + EAC + GL + WEEE nmm > 500: I = S, KA: CE + cULus + EAC + WEEE I = FA: CE + EAC + WEEE
Ex category	—

BTL7-abcd-Mnnnn-fh-lm

BTL7

Magnetostrictive linear position sensor
Generation 7

a interface

C = Current output 0 ... 20 mA
E = Current output 4 ... 20 mA

b Operating voltage

5 = 10 ... 30 V

c + d Interface characteristic 1 + 2

04 = 1 output rising, configurable
05 = 1 output falling, configurable

Mnnnn Nominal length (4-position)

M0500 = metric in mm
(M0025...M7620: for rod diameter
10.2 mm)

f Form factor

TZ = Threads 3/4"-16UNF, for O-Ring

h Redundant

2 = 2 times redundant
3 = 3 times redundant

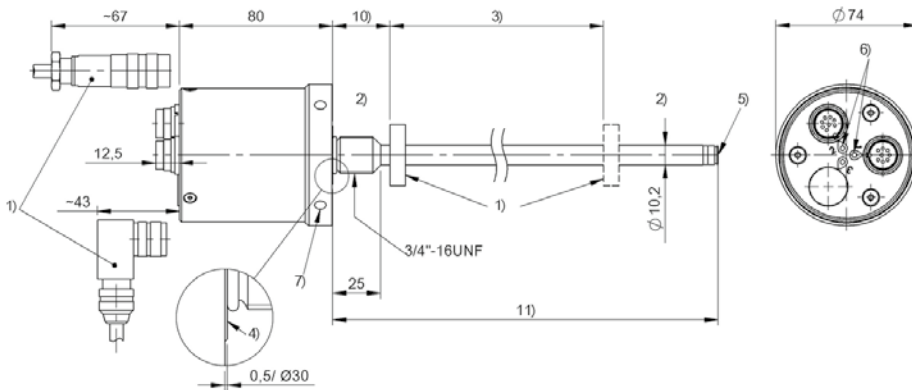
l Connection type

S = Connector
KA = Cable (PUR)
FA = Cable (PTFE)

m Connection type characteristic 1

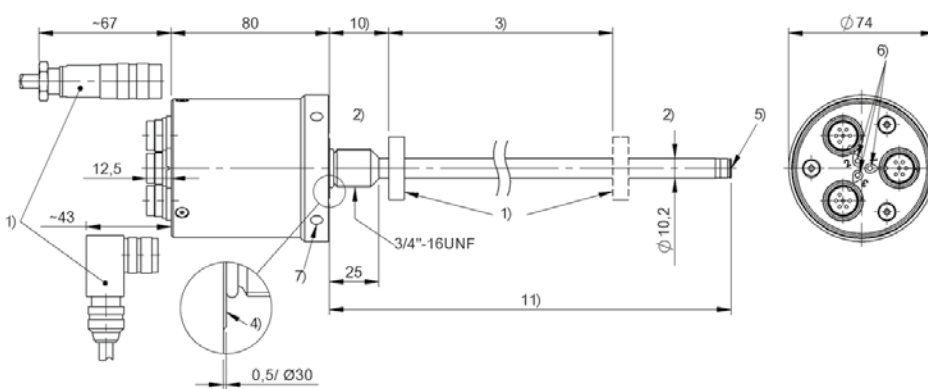
for connector:
32 = M16x0.75 connector with 8 pins
135 = M16x0.75 connector with 6 pins
for cable (length in meters):
02, 05, 10, 15, 20

BTL7-E504-Mxxxx-TZ2-S32



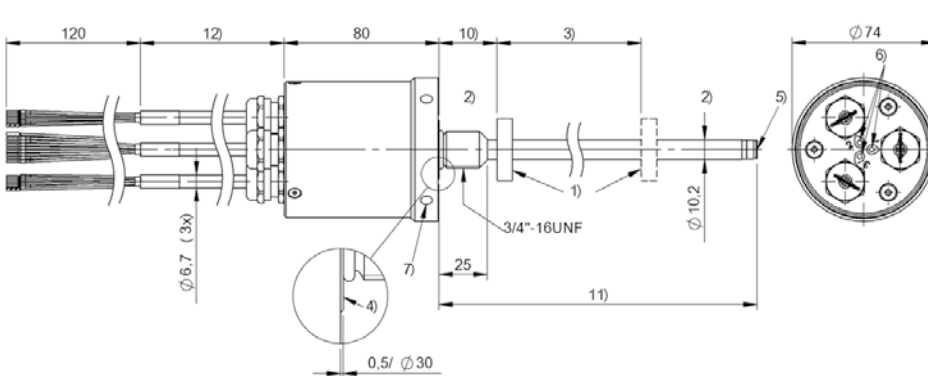
- 1) not included in scope of delivery
- 2) Non-usable area
- 3) Nominal length = Measuring length
- 4) Mounting surface
- 5) Internal threads M4x4/6 deep
- 6) LED function indicator
- 7) $\varnothing 6.1$ for hook wrench $\varnothing 74$
- 10) Null point
- 11) Installation length

BTL7-C505-Mxxxx-TZ3-S135



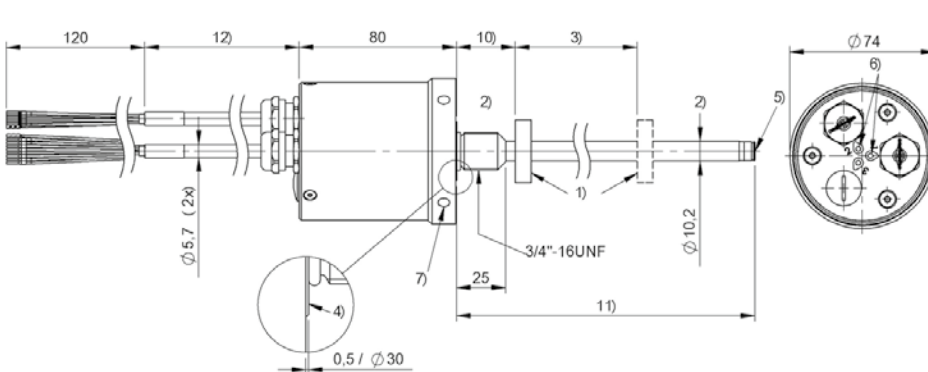
- 1) not included in scope of delivery
- 2) Non-usable area
- 3) Nominal length = Measuring length
- 4) Mounting surface
- 5) Internal threads M4x4/6 deep
- 6) LED function indicator
- 7) $\varnothing 6.1$ for hook wrench $\varnothing 74$
- 10) Null point
- 11) Installation length

BTL7-E505-Mxxxx-TZ3-KAxx



- 1) not included in scope of delivery
- 2) Non-usable area
- 3) Nominal length = Measuring length
- 4) Mounting surface
- 5) Internal threads M4x4/6 deep
- 6) LED function indicator
- 7) $\varnothing 6.1$ for hook wrench $\varnothing 74$
- 10) Null point
- 11) Installation length
- 12) Cable length

BTL7-C504-Mxxxx-TZ2-FAxx



- 1) not included in scope of delivery
- 2) Non-usable area
- 3) Nominal length = Measuring length
- 4) Mounting surface
- 5) Internal threads M4x4/6 deep
- 6) LED function indicator
- 7) $\varnothing 6.1$ for hook wrench $\varnothing 74$
- 10) Null point
- 11) Installation length
- 12) Cable length



	BTL7 -TZ- SERIES - DIGITAL
Interface	Digital pulse
Measuring length	25...7620 mm
Repeat accuracy	≤ ± 5 µm
Linearity deviation	nmm = 25...2000: ± 60 µm nmm = 2001...5500: ± 200 µm nmm > 5500: ± 0.04% FS
Operating voltage Ub	10...30 VDC
Ambient temperature	-40...85 °C
Mechanical configuration	Fastening 3/4" threads
Housing material	Aluminum, Anodized
IP rating	IP67
Approval/Conformity	I = S, KA: CE + cULus + EAC + WEEE I = FA: CE + EAC + WEEE
Ex category	—

BTL7-abcd-Mnnnn-fh-Im

BTL7

Magnetostrictive linear position sensor
Generation 7

a Interface

P = Digital pulse interface

b Operating voltage

5 = 10 ... 30 V

c Interface characteristic 1

1 = Digital start/stop interface

d Interface characteristic 2

1 = DPI/IP communication interface

Mnnnn Nominal length (4-position)

M0500 = metric in mm
(M0025...M7620: for rod diameter
10.2 mm)

f Form factor

TZ = Threads 3/4"-16UNF, for O-Ring

h Redundancy

2 = 2 times redundant

3 = 3 times redundant

I Connection type

S = Connector

KA = Cable (PUR)

FA = Cable (PTFE)

m Connection type characteristic 1

for connector:

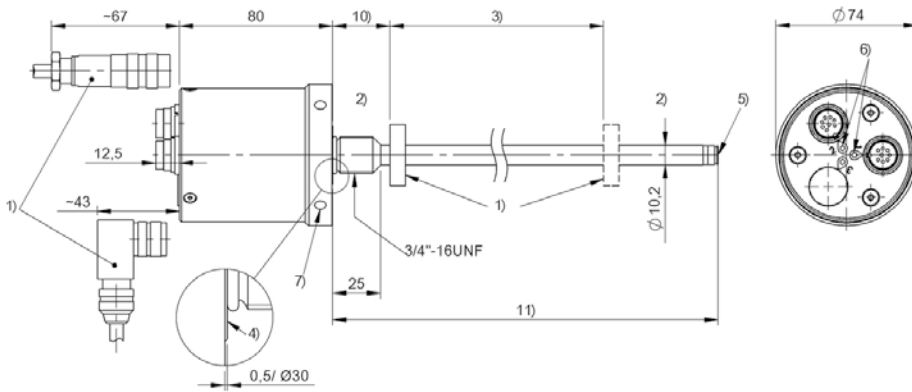
32 = M16x0.75 connector with 8 pins

for cable (length in meters):

02, 05, 10,

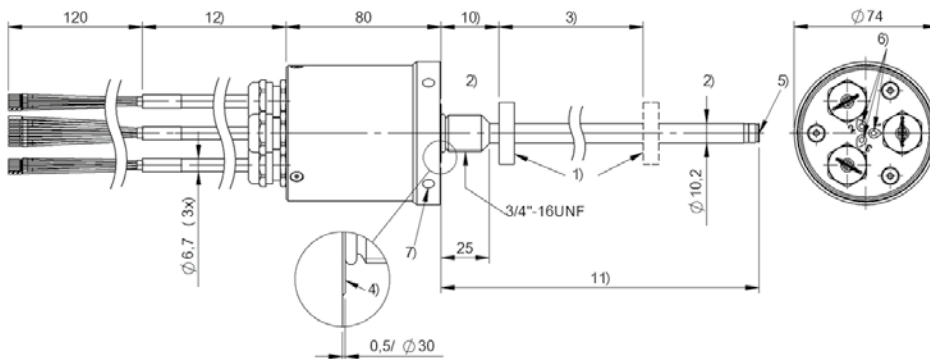
15, 20 (only when h = 2 and Mnnnn <
2541 mm

BTL7-P511-Mxxxx-TZ2-S32



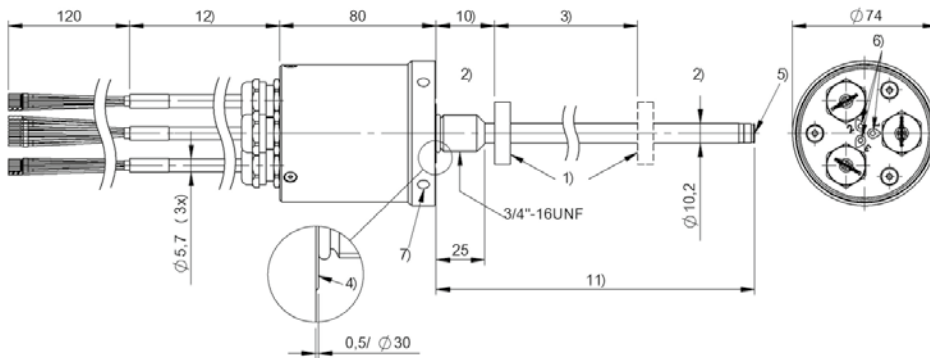
- 1) not included in scope of delivery
- 2) Non-usable area
- 3) Nominal length = Measuring length
- 4) Mounting surface
- 5) Internal threads M4x4/6 deep
- 6) LED function indicator
- 7) $\varnothing 6.1$ for hook wrench $\varnothing 74$
- 10) Null point
- 11) Installation length

BTL7-P511-Mxxxx-TZ3-KAxx



- 1) not included in scope of delivery
- 2) Non-usable area
- 3) Nominal length = Measuring length
- 4) Mounting surface
- 5) Internal threads M4x4/6 deep
- 6) LED function indicator
- 7) $\varnothing 6.1$ for hook wrench $\varnothing 74$
- 10) Null point
- 11) Installation length
- 12) Cable length

BTL7-P511-Mxxxx-TZ3-FAxx



- 1) not included in scope of delivery
- 2) Non-usable area
- 3) Nominal length = Measuring length
- 4) Mounting surface
- 5) Internal threads M4x4/6 deep
- 6) LED function indicator
- 7) $\varnothing 6.1$ for hook wrench $\varnothing 74$
- 10) Null point
- 11) Installation length
- 12) Cable length



	BTL7 -TZ- SERIES - SSI
Interface	SSI
Measuring length	25...7620 mm
Repeat accuracy	$\leq \pm 5 \mu\text{m}$
Linearity deviation	d = 1, 2, 3, 7, 9: nnnn = 25...2000: $\pm 60 \mu\text{m}$ nnnn = 2001...5500: $\pm 200 \mu\text{m}$ d = 4, 5: nnnn = 25...2000: $\pm 4 \text{ LSB}$ nnnn = 2001...5500: $\pm 200 \mu\text{m}$ d = 6, 8: nnnn = 25...5500: $\pm 4 \text{ LSB}$ nnnn > 5500: $\pm 0.04\% \text{ FS}$
Operating voltage U_b	10...30 VDC
Ambient temperature	-40...85 °C
Mechanical configuration	Fastening 3/4" threads
Housing material	Aluminum, Anodized
IP rating	IP67
Approval/Conformity	I = S, KA: CE + cULus + EAC + WEEE I = FA: CE + EAC + WEEE
Ex category	—

BTL7-abcde-Mnnnn-fh-Im

BTL7

Magnetostrictive linear position sensor
Generation 7

a interface

S = SSI

b Operating voltage

5 = 10 ... 30 V

c Interface characteristic 1

0 = 24 bits, binary, rising
 1 = 24 bits, gray, rising
 2 = 24 bits, binary, falling
 3 = 24 bits, gray, falling
 6 = 25 bits, binary, rising
 7 = 25 bits, gray, rising
 8 = 25 bits, binary, falling
 9 = 25 bits, gray, falling
 A = 26 bits, binary, rising
 B = 26 bits, gray, rising
 C = 26 bits, binary, falling
 D = 26 bits, gray, falling

d Interface characteristic 2

1 = 1 μm
 2 = 5 μm
 3 = 10 μm
 4 = 20 μm
 5 = 40 μm
 6 = 100 μm
 7 = 2 μm
 8 = 50 μm

e Interface characteristic 3

B = Synchronous mode
 - = Asynchronous mode

Mnnnn Nominal length (4-position)

M0500 = metric in mm
 (M0025...M7620: for rod diameter
 10.2 mm)

f Form factor

TZ = Threads 3/4"-16UNF, for O-Ring

g Form factor characteristic

rod diameter 10.2 mm

h Redundant

2 = 2 times redundant
 3 = 3 times redundant

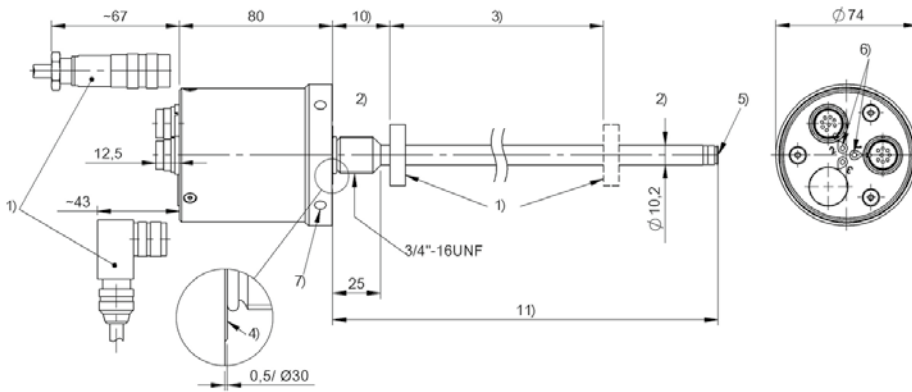
I Connection type

S = Connector
 KA = Cable (PUR)
 FA = Cable (PTFE)

m Connection type characteristic 1

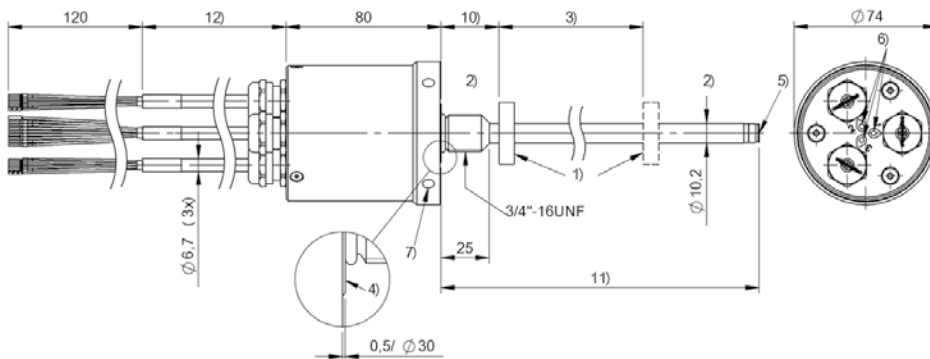
for connector:
 32 = M16x0.75 connector with 8 pins
 for cable (length in meters):
 02, 05, 10, 15, 20

BTL7-S5xxD-Mxxxx-TZ2-S32



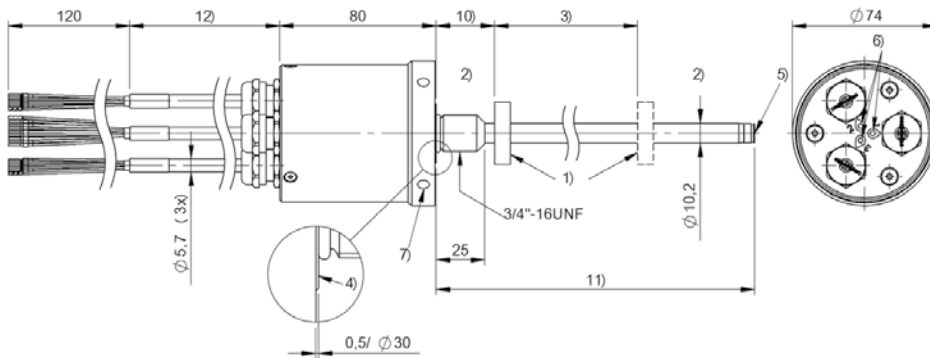
- 1) not included in scope of delivery
- 2) Non-usable area
- 3) Nominal length = Measuring length
- 4) Mounting surface
- 5) Internal threads M4x4/6 deep
- 6) LED function indicator
- 7) Ø6.1 for hook wrench Ø74
- 10) Null point
- 11) Installation length

BTL7-S5xxD-Mxxxx-TZ3-KAxx



- 1) not included in scope of delivery
- 2) Non-usable area
- 3) Nominal length = Measuring length
- 4) Mounting surface
- 5) Internal threads M4x4/6 deep
- 6) LED function indicator
- 7) Ø6.1 for hook wrench Ø74
- 10) Null point
- 11) Installation length
- 12) Cable length

BTL7-S5xxD-Mxxxx-TZ3-FAxx



- 1) not included in scope of delivery
- 2) Non-usable area
- 3) Nominal length = Measuring length
- 4) Mounting surface
- 5) Internal threads M4x4/6 deep
- 6) LED function indicator
- 7) Ø6.1 for hook wrench Ø74
- 10) Null point
- 11) Installation length
- 12) Cable length



	BTL7 -TK- SERIES - ANALOG VOLTAGE
Interface	Analog, voltage
Measuring length	25...7620 mm
Repeat accuracy	± 10 µm
Linearity deviation	nmm = 0050...0500: ± 200 µm, nmm > 0500: ± 0.04% FS
Operating voltage Ub	10...30 VDC
Ambient temperature	-40...85 °C
Mechanical configuration	Fastening 18h6 fit
Housing material	Aluminum, Anodized
IP rating	IP67
Approval/Conformity	I = S, KA: CE + cULus + EAC + WEEE I = FA: CE + EAC + WEEE
Ex category	—

BTL7-abcd-Mnnnn-fgh-lm

BTL7

Magnetostrictive linear position sensor
Generation 7

a interface

A = Voltage output 0 ... 10 V
G = voltage output -10 ... 10 V

b Operating voltage

5 = 10 ... 30 V

c + d Interface characteristic 1 + 2

04 = 1 output rising, configurable
05 = 1 output falling, configurable

Mnnnn Nominal length (4-position)

M0500 = metric in mm
(M0025...M7620: for rod diameter
10.2 mm)

f Form factor

TK = plug-in flange 18h6,, for O-Ring

g Form factor characteristic

- = Rod diameter 10.2 mm

h Redundant

2 = 2 times redundant
3 = 3 times redundant

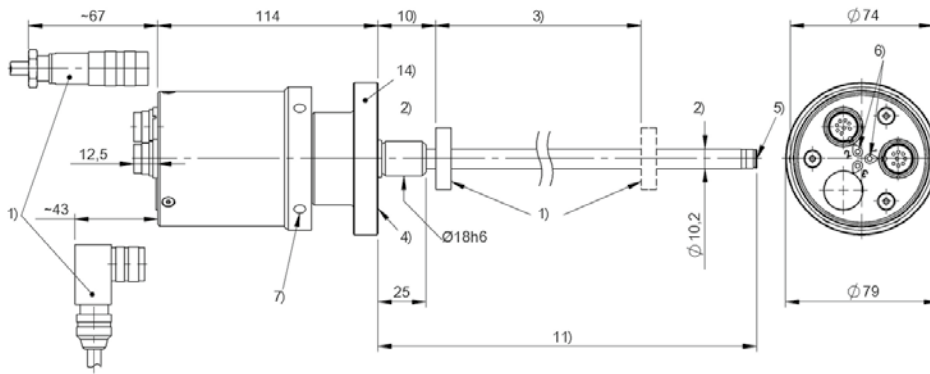
l Connection type

S = Connector
KA = Cable (PUR)
FA = Cable (PTFE)

m Connection type characteristic 1

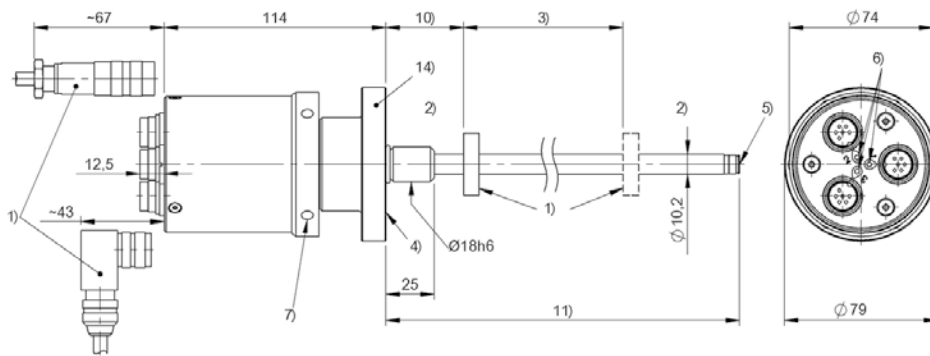
for connector:
32 = M16x0.75 connector with 8 pins
135 = M16x0.75 connector with 6 pins
for cable (length in meters):
02, 05, 10, 15, 20

BTL7-A504-Mxxxx-TK2-S32



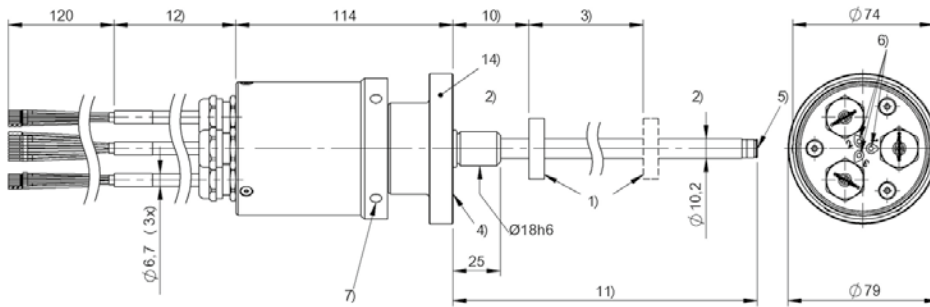
- 1) not included in scope of delivery
- 2) Non-usable area
- 3) Nominal length = Measuring length
- 4) Mounting surface
- 5) Internal threads M4x4/6 deep
- 6) LED function indicator
- 7) Ø6.1 for hook wrench Ø74
- 10) Null point
- 11) Installation length
- 14) not installed

BTL7-G505-Mxxxx-TK3-S135



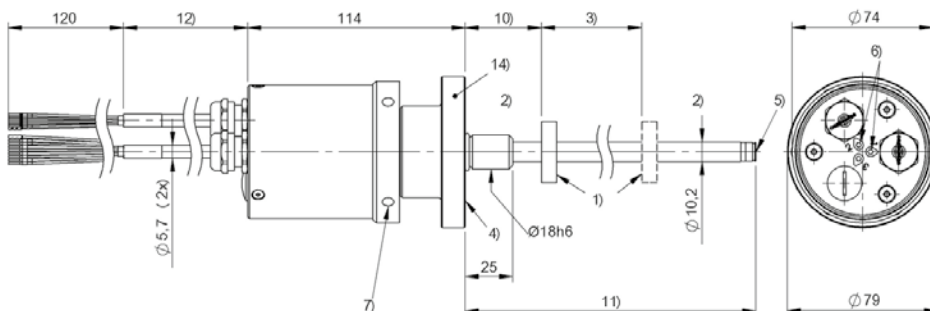
- 1) not included in scope of delivery
- 2) Non-usable area
- 3) Nominal length = Measuring length
- 4) Mounting surface
- 5) Internal threads M4x4/6 deep
- 6) LED function indicator
- 7) Ø6.1 for hook wrench Ø74
- 10) Null point
- 11) Installation length
- 14) not installed

BTL7-A505-Mxxxx-TK3-KAxx



- 1) not included in scope of delivery
- 2) Non-usable area
- 3) Nominal length = Measuring length
- 4) Mounting surface
- 5) Internal threads M4x4/6 deep
- 6) LED function indicator
- 7) Ø6.1 for hook wrench Ø74
- 10) Null point
- 11) Installation length
- 12) Cable length
- 14) not installed

BTL7-G504-Mxxxx-TK2-FAxx



- 1) not included in scope of delivery
- 2) Non-usable area
- 3) Nominal length = Measuring length
- 4) Mounting surface
- 5) Internal threads M4x4/6 deep
- 6) LED function indicator
- 7) Ø6.1 for hook wrench Ø74
- 10) Null point
- 11) Installation length
- 12) Cable length
- 14) not installed



	BTL7 -TK- SERIES - ANALOG CURRENT
Interface	Analog, current
Measuring length	25...7620 mm
Repeat accuracy	± 5 µm
Linearity deviation	nmm = 0050...0500: ± 200 µm, nmm > 0500: ± 0.04% FS
Operating voltage Ub	10...30 VDC
Ambient temperature	-40...85 °C
Mechanical configuration	Fastening 18h6 fit
Housing material	Aluminum, Anodized
IP rating	IP67
Approval/Conformity	I = S, KA: CE + cULus + EAC + WEEE I = FA: CE + EAC + WEEE
Ex category	—

BTL7-abcd-Mnnnn-fh-Im

BTL7

Magnetostrictive linear position sensor
Generation 7

a interface

C = Current output 0 ... 20 mA
E = Current output 4 ... 20 mA

b Operating voltage

5 = 10 ... 30 V

c + d Interface characteristic 1 + 2

04 = 1 output rising, configurable
05 = 1 output falling, configurable

Mnnnn Nominal length (4-position)

M0500 = metric in mm
(M0025...M7620: for rod diameter
10.2 mm)

f Form factor

TK = plug-in flange 18h6,, for O-Ring

h Redundant

2 = 2 times redundant
3 = 3 times redundant

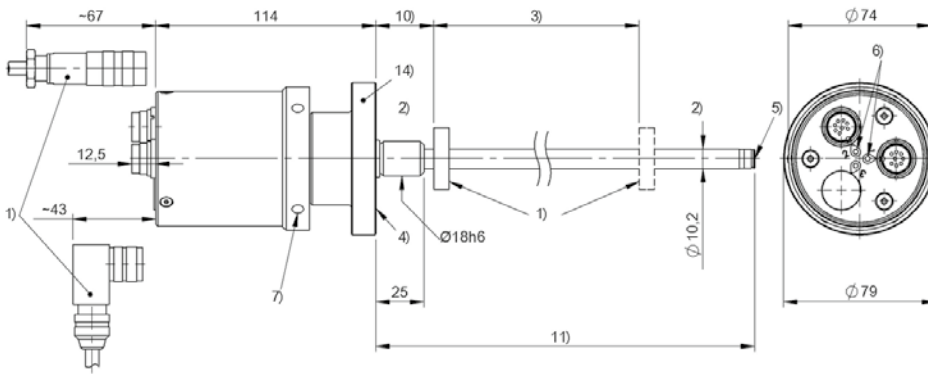
I Connection type

S = Connector
KA = Cable (PUR)
FA = Cable (PTFE)

m Connection type characteristic 1

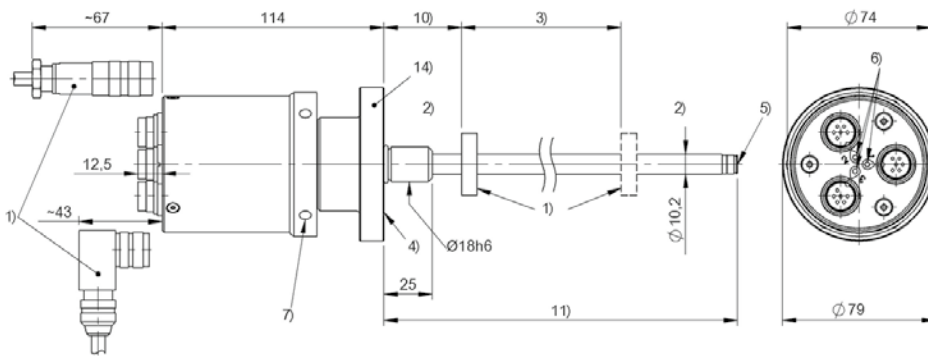
for connector:
32 = M16x0.75 connector with 8 pins
135 = M16x0.75 connector with 6 pins
for cable (length in meters):
02, 05, 10, 15, 20

BTL7-E504-Mxxxx-TK2-S32



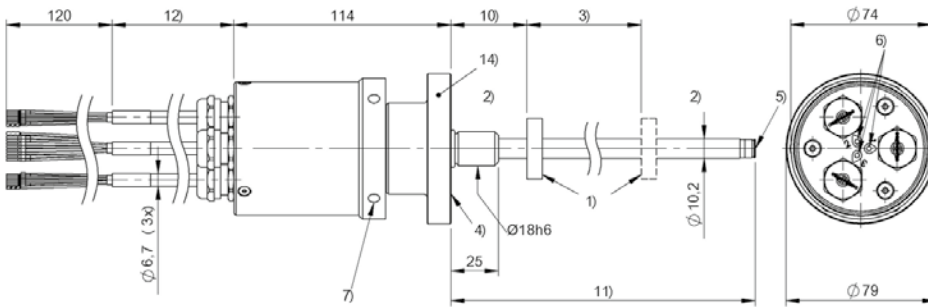
- 1) not included in scope of delivery
- 2) Non-usable area
- 3) Nominal length = Measuring length
- 4) Mounting surface
- 5) Internal threads M4x4/6 deep
- 6) LED function indicator
- 7) $\phi 6.1$ for hook wrench $\phi 74$
- 10) Null point
- 11) Installation length
- 14) not installed

BTL7-C505-Mxxxx-TK3-S135



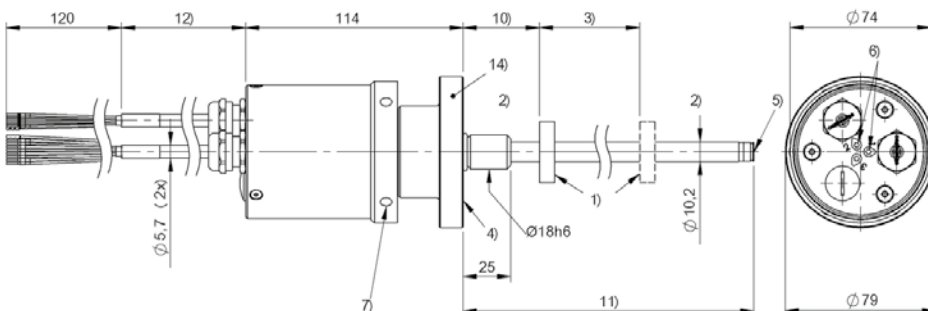
- 1) not included in scope of delivery
- 2) Non-usable area
- 3) Nominal length = Measuring length
- 4) Mounting surface
- 5) Internal threads M4x4/6 deep
- 6) LED function indicator
- 7) $\phi 6.1$ for hook wrench $\phi 74$
- 10) Null point
- 11) Installation length
- 14) not installed

BTL7-E505-Mxxxx-TK3-KAxx



- 1) not included in scope of delivery
- 2) Non-usable area
- 3) Nominal length = Measuring length
- 4) Mounting surface
- 5) Internal threads M4x4/6 deep
- 6) LED function indicator
- 7) $\phi 6.1$ for hook wrench $\phi 74$
- 10) Null point
- 11) Installation length
- 12) Cable length
- 14) not installed

BTL7-C504-Mxxxx-TK2-FAxx



- 1) not included in scope of delivery
- 2) Non-usable area
- 3) Nominal length = Measuring length
- 4) Mounting surface
- 5) Internal threads M4x4/6 deep
- 6) LED function indicator
- 7) $\phi 6.1$ for hook wrench $\phi 74$
- 10) Null point
- 11) Installation length
- 12) Cable length
- 14) not installed



	BTL7 -TK- SERIES - DIGITAL
Interface	Digital pulse
Measuring length	25...7620 mm
Repeat accuracy	≤ ± 5 µm
Linearity deviation	nmm = 25...2000: ± 60 µm nmm = 2001...5500: ± 200 µm nmm > 5500: ± 0.04% FS
Operating voltage Ub	10...30 VDC
Ambient temperature	-40...85 °C
Mechanical configuration	Fastening 18h6 fit
Housing material	Aluminum, Anodized
IP rating	IP67
Approval/Conformity	I = S, KA: CE + cULus + EAC + WEEE I = FA: CE + EAC + WEEE
Ex category	—

BTL7-abcd-Mnnnn-fh-Im

BTL7

Magnetostrictive linear position sensor
Generation 7

a Interface

P = Digital pulse interface

b Operating voltage

5 = 10 ... 30 V

c Interface characteristic 1

1 = Digital start/stop interface

d Interface characteristic 2

1 = DPI/IP communication interface

Mnnnn Nominal length (4-position)

M0500 = metric in mm
(M0025...M7620: for rod diameter
10.2 mm)

f Form factor

TK = plug-in flange 18h6,, for O-Ring

h Redundancy

2 = 2 times redundant

3 = 3 times redundant

I Connection type

S = Connector

KA = Cable (PUR)

FA = Cable (PTFE)

m Connection type characteristic 1

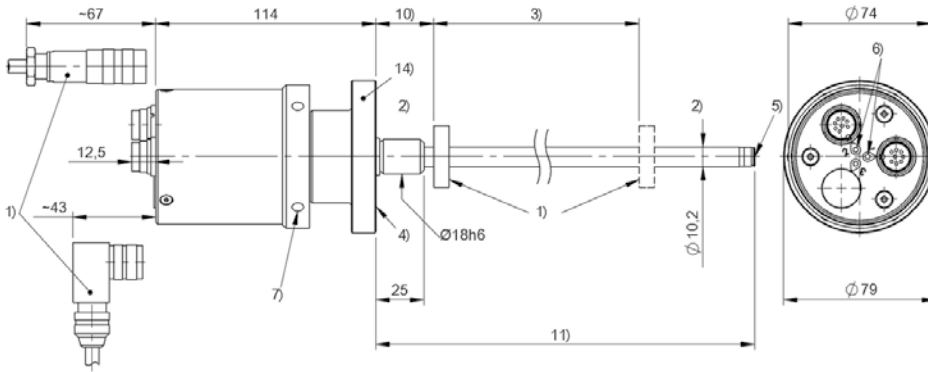
for connector:

32 = M16x0.75 connector with 8 pins

for cable (length in meters):

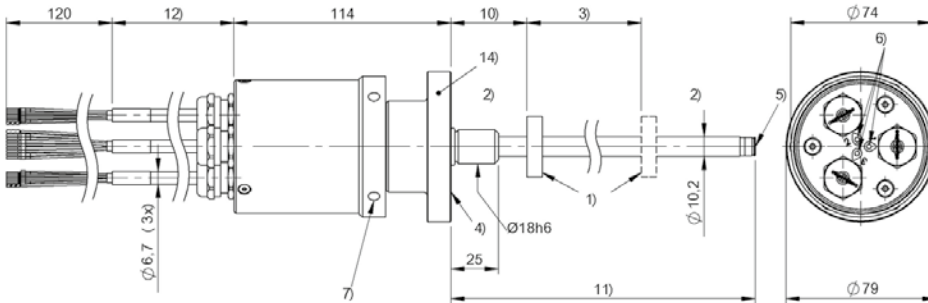
02, 05, 10

BTL7-P511-Mxxxx-TK2-S32



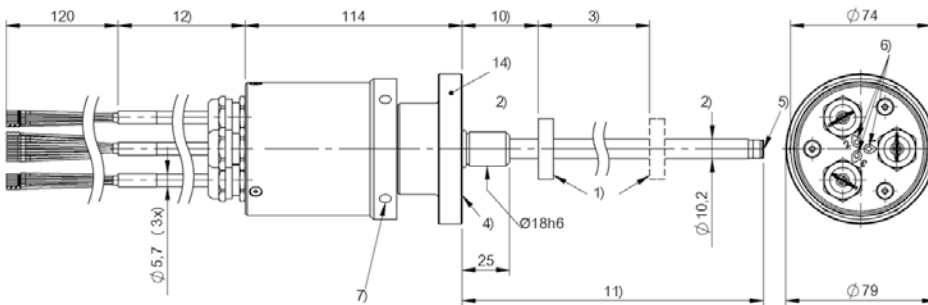
- 1) not included in scope of delivery
- 2) Non-usable area
- 3) Nominal length = Measuring length
- 4) Mounting surface
- 5) Internal threads M4x4/6 deep
- 6) LED function indicator
- 7) $\varnothing 6.1$ for hook wrench $\varnothing 74$
- 10) Null point
- 11) Installation length
- 14) not installed

BTL7-P511-Mxxxx-TK3-KAxx



- 1) not included in scope of delivery
- 2) Non-usable area
- 3) Nominal length = Measuring length
- 4) Mounting surface
- 5) Internal threads M4x4/6 deep
- 6) LED function indicator
- 7) $\varnothing 6.1$ for hook wrench $\varnothing 74$
- 10) Null point
- 11) Installation length
- 12) Cable length
- 14) not installed

BTL7-P511-Mxxxx-TK3-FAxx



- 1) not included in scope of delivery
- 2) Non-usable area
- 3) Nominal length = Measuring length
- 4) Mounting surface
- 5) Internal threads M4x4/6 deep
- 6) LED function indicator
- 7) $\varnothing 6.1$ for hook wrench $\varnothing 74$
- 10) Null point
- 11) Installation length
- 12) Cable length
- 14) not installed



BTL7 -TK- SERIES - SSI	
Interface	SSI
Measuring length	25...7620 mm
Repeat accuracy	≤ ± 5 µm
Linearity deviation	d = 1, 2, 3, 7, 9: nnnn = 25...2000: ± 60 µm nnnn = 2001...5500: ± 200 µm d = 4, 5: nnnn = 25...2000: ± 4 LSB nnnn = 2001...5500: ± 200 µm d = 6, 8: nnnn = 25...5500: ± 4 LSB nnnn > 5500: ± 0.04% FS
Operating voltage Ub	10...30 VDC
Ambient temperature	-40...85 °C
Mechanical configuration	Fastening 18h6 fit
Housing material	Aluminum, Anodized
IP rating	IP67
Approval/Conformity	I = S, KA: CE + cULus + EAC + WEEE I = FA: CE + EAC + WEEE
Ex category	—

BTL7-abcde-Mnnnn-fh-lm

BTL7

Magnetostrictive linear position sensor
Generation 7

a interface

S = SSI

b Operating voltage

5 = 10 ... 30 V

c Interface characteristic 1

- 0 = 24 bits, binary, rising
- 1 = 24 bits, gray, rising
- 2 = 24 bits, binary, falling
- 3 = 24 bits, gray, falling
- 6 = 25 bits, binary, rising
- 7 = 25 bits, gray, rising
- 8 = 25 bits, binary, falling
- 9 = 25 bits, gray, falling
- A = 26 bits, binary, rising
- B = 26 bits, gray, rising
- C = 26 bits, binary, falling
- D = 26 bits, gray, falling

d Interface characteristic 2

- 1 = 1 µm
- 2 = 5 µm
- 3 = 10 µm
- 4 = 20 µm
- 5 = 40 µm
- 6 = 100 µm
- 7 = 2 µm
- 8 = 50 µm

e Interface characteristic 3

- B = Synchronous mode
- = Asynchronous mode

Mnnnn Nominal length (4-position)

M0500 = metric in mm
(M0025...M7620: for rod diameter
10.2 mm)

f Form factor

TK = plug-in flange 18h6,, for O-Ring

g Form factor characteristic

- = Rod diameter 10.2 mm

h Redundant

- 2 = 2 times redundant
- 3 = 3 times redundant

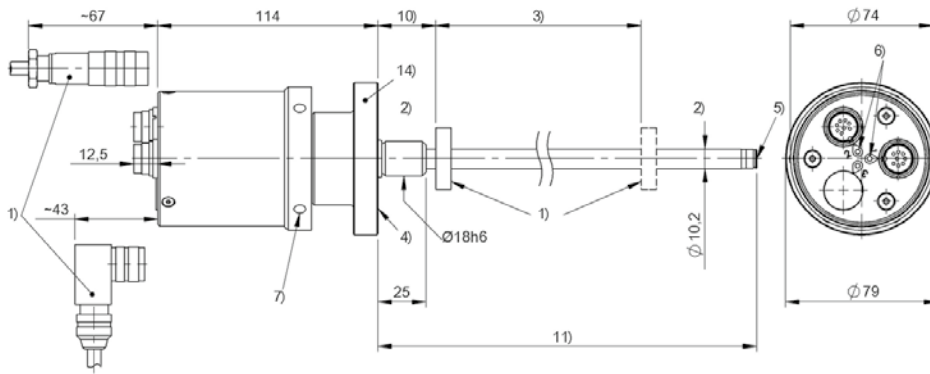
I Connection type

- S = Connector
- KA = Cable (PUR)
- FA = Cable (PTFE)

m Connection type characteristic 1

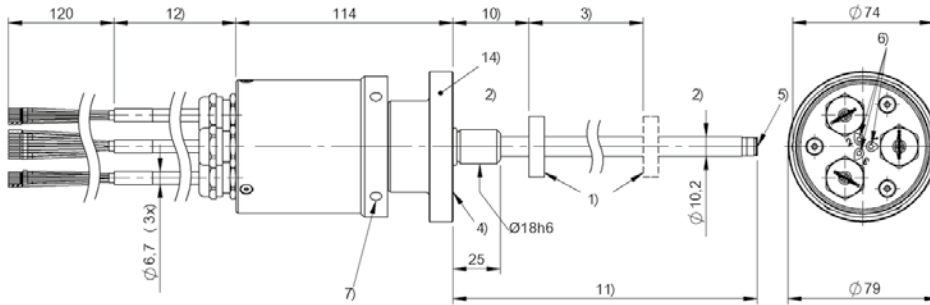
for connector:
32 = M16x0.75 connector with 8 pins
for cable (length in meters):
02, 05, 10, 15, 20

BTL7-S5xxD-Mxxxx-TK2-S32



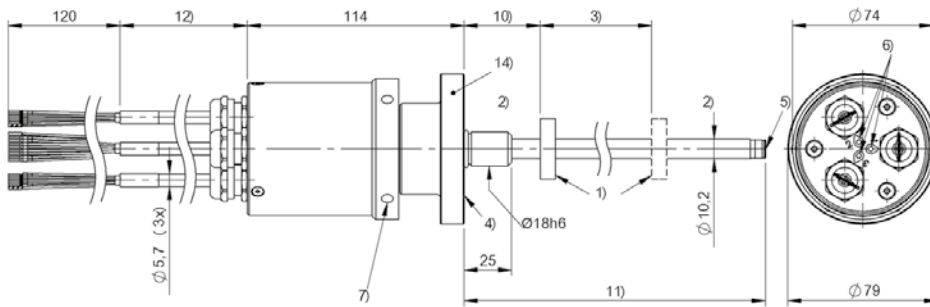
- 1) not included in scope of delivery
- 2) Non-usable area
- 3) Nominal length = Measuring length
- 4) Mounting surface
- 5) Internal threads M4x4/6 deep
- 6) LED function indicator
- 7) $\phi 6.1$ for hook wrench $\phi 74$
- 10) Null point
- 11) Installation length
- 14) not installed

BTL7-S5xxD-Mxxxx-TK3-KAxx



- 1) not included in scope of delivery
- 2) Non-usable area
- 3) Nominal length = Measuring length
- 4) Mounting surface
- 5) Internal threads M4x4/6 deep
- 6) LED function indicator
- 7) $\phi 6.1$ for hook wrench $\phi 74$
- 10) Null point
- 11) Installation length
- 12) Cable length
- 14) not installed

BTL7-S5xxD-Mxxxx-TK3-FAxx



- 1) not included in scope of delivery
- 2) Non-usable area
- 3) Nominal length = Measuring length
- 4) Mounting surface
- 5) Internal threads M4x4/6 deep
- 6) LED function indicator
- 7) $\phi 6.1$ for hook wrench $\phi 74$
- 10) Null point
- 11) Installation length
- 12) Cable length
- 14) not installed



BTL7 -TT- SERIES - ANALOG VOLTAGE	
Interface	Analog, voltage
Measuring length	25...3250 mm
Repeat accuracy	± 10 µm
Linearity deviation	nxxx = 0050...0500: ± 200 µm, nxxx > 0500: ± 0.04% FS
Operating voltage Ub	10...30 VDC
Ambient temperature	-40...85 °C
Mechanical configuration	Fastening M30 threads
Housing material	Aluminum, Anodized
IP rating	IP67
Approval/Conformity	nxxx ≤ 240: I = S, KA: CE + cULus + EAC + GL + WEEE I = FA: CE + EAC + GL + WEEE nxxx > 240: I = S, KA: CE + cULus + EAC + WEEE I = FA: CE + EAC + WEEE
Ex category	—

BTL7-abcd-Mnnnn-fgh-lm

BTL7

Magnetostrictive linear position sensor
Generation 7

a interface

A = Voltage output 0 ... 10 V
G = voltage output -10 ... 10 V

b Operating voltage

5 = 10 ... 30 V

c + d Interface characteristic 1 + 2

04 = 1 output rising, configurable
05 = 1 output falling, configurable

Mnnnn Nominal length (4-position)

M0500 = metric in mm
(M0025...M3250)

f Form factor

TT = Mounting threads M30x1.5,
for O-Ring

g Form factor characteristic

- = Rod diameter 21 mm

h Redundant

2 = 2 times redundant
3 = 3 times redundant

l Connection type

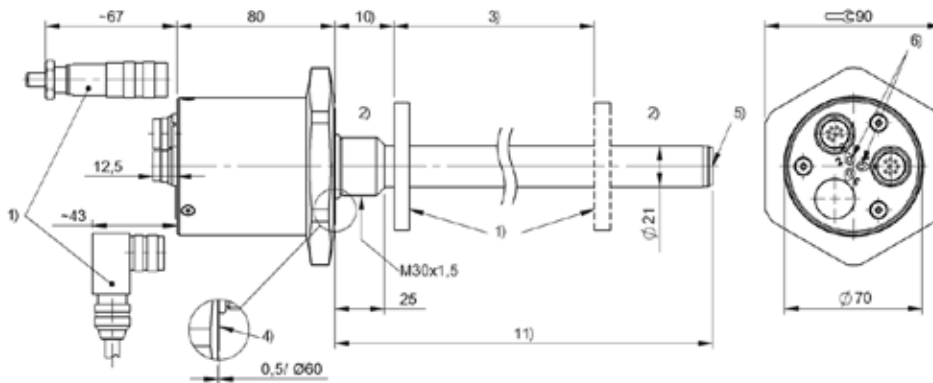
S = Connector
KA = Cable (PUR)
FA = Cable (PTFE)

m Connection type characteristic 1

for connector:
32 = M16x0.75 connector with 8 pins

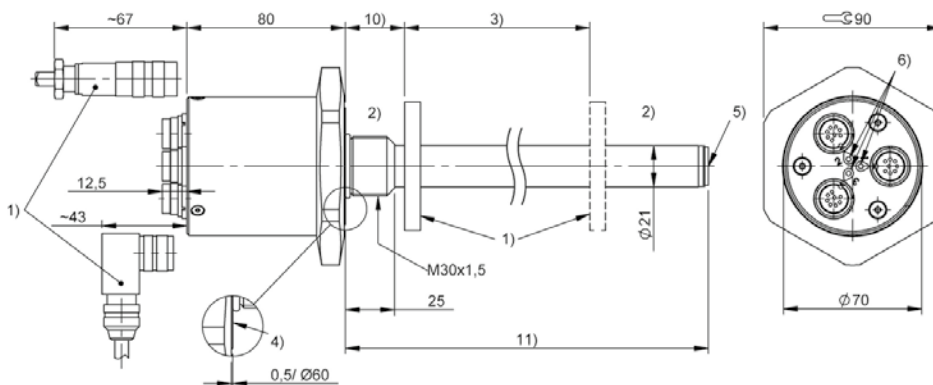
for cable (length in meters):
02, 05, 10

BTL7-A504-Mxxxx-TT2-S32



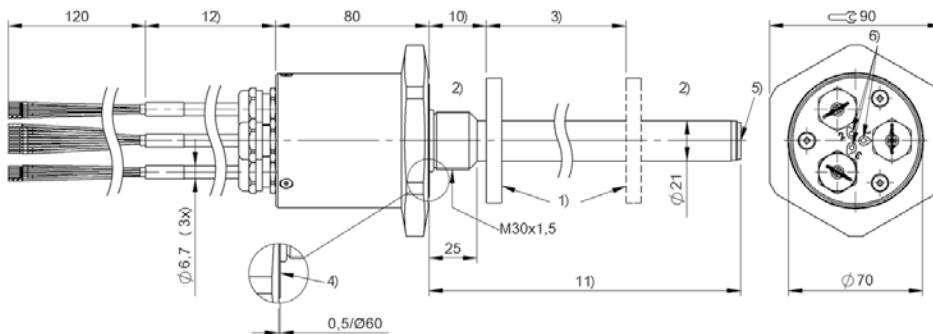
- 1) not included in scope of delivery
- 2) Non-usable area
- 3) Nominal length = Measuring length
- 4) Mounting surface
- 5) Internal threads M4x4/6 deep
- 6) LED function indicator
- 10) Null point
- 11) Installation length

BTL7-G505-Mxxxx-TT3-S32



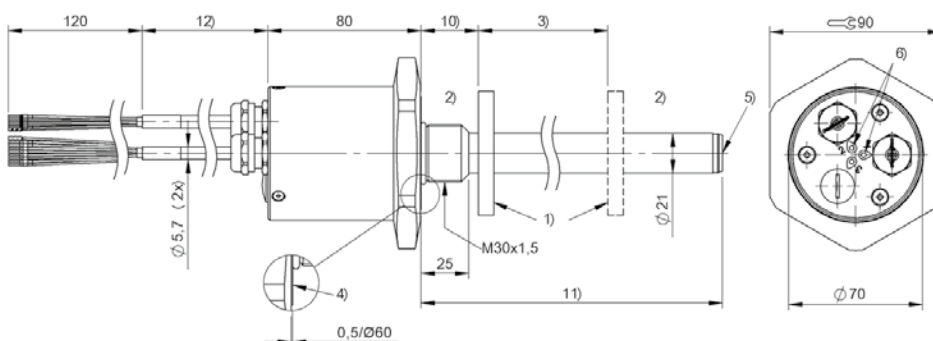
- 1) not included in scope of delivery
- 2) Non-usable area
- 3) Nominal length = Measuring length
- 4) Mounting surface
- 5) Internal threads M4x4/6 deep
- 6) LED function indicator
- 10) Null point
- 11) Installation length

BTL7-A505-Mxxxx-TT3-KAxx



- 1) not included in scope of delivery
- 2) Non-usable area
- 3) Nominal length = Measuring length
- 4) Mounting surface
- 5) Internal threads M4x4/6 deep
- 6) LED function indicator
- 10) Null point
- 11) Installation length
- 12) Cable length

BTL7-G504-Mxxxx-TT2-FAxx



- 1) not included in scope of delivery
- 2) Non-usable area
- 3) Nominal length = Measuring length
- 4) Mounting surface
- 5) Internal threads M4x4/6 deep
- 6) LED function indicator
- 10) Null point
- 11) Installation length
- 12) Cable length



BTL7 -TT- SERIES - ANALOG CURRENT	
Interface	Analog, current
Measuring length	25...3250 mm
Repeat accuracy	± 5 µm
Linearity deviation	nmm = 0050...0500: ± 200 µm, nmm > 0500: ± 0.04% FS
Operating voltage Ub	10...30 VDC
Ambient temperature	-40...85 °C
Mechanical configuration	Fastening M30 threads
Housing material	Aluminum, Anodized
IP rating	IP67
Approval/Conformity	nmm ≤ 240: I = S, KA: CE + cULus + EAC + GL + WEEE I = FA: CE + EAC + GL + WEEE nmm > 240: I = S, KA: CE + cULus + EAC + WEEE I = FA: CE + EAC + WEEE
Ex category	—

BTL7-abcd-Mnnnn-fh-lm

BTL7

Magnetostrictive linear position sensor
Generation 7

a interface

C = Current output 0 ... 20 mA
E = Current output 4 ... 20 mA

b Operating voltage

5 = 10 ... 30 V

c + d Interface characteristic 1 + 2

04 = 1 output rising, configurable
05 = 1 output falling, configurable

Mnnnn Nominal length (4-position)

M0500 = metric in mm
(M0025...M3250)

f Form factor

TT = Mounting threads M30x1.5,
for O-Ring

h Redundant

2 = 2 times redundant
3 = 3 times redundant

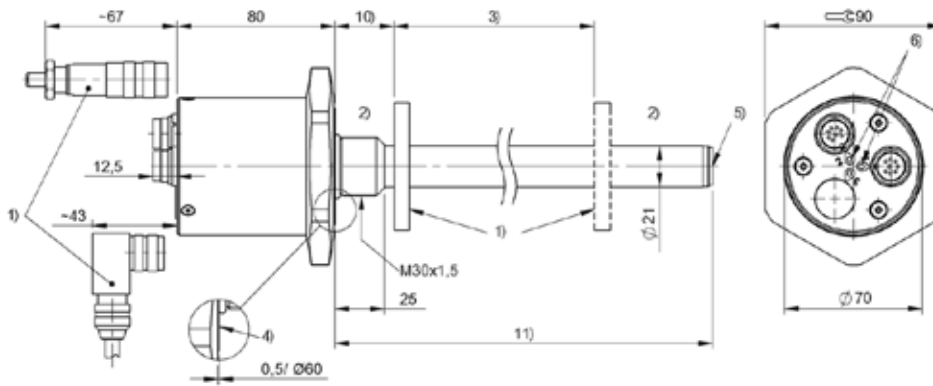
l Connection type

S = Connector
KA = Cable (PUR)
FA = Cable (PTFE)

m Connection type characteristic 1

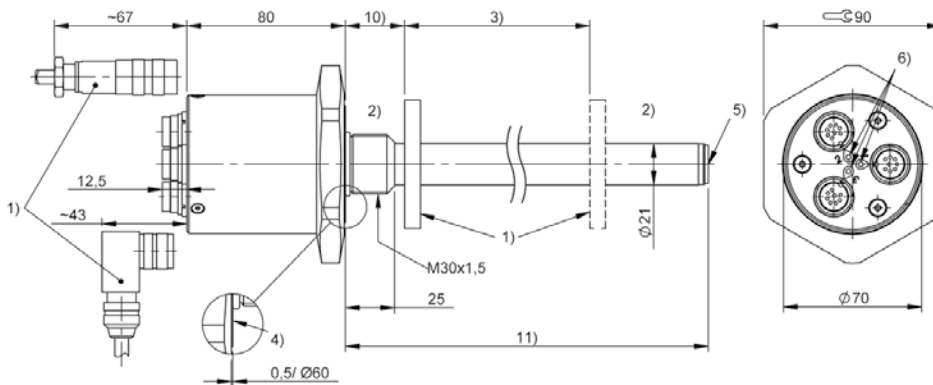
for connector:
32 = M16x0.75 connector with 8 pins
for cable (length in meters):
02, 05, 10

BTL7-E504-Mxxxx-TT2-S32



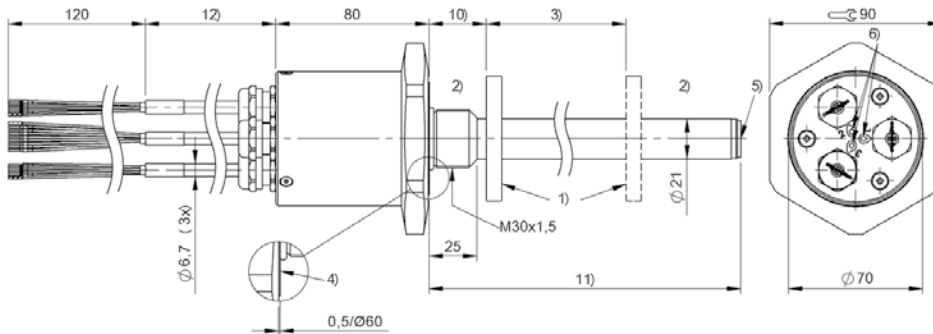
- 1) not included in scope of delivery
- 2) Non-usable area
- 3) Nominal length = Measuring length
- 4) Mounting surface
- 5) Internal threads M4x4/6 deep
- 6) LED function indicator
- 10) Null point
- 11) Installation length

BTL7-C505-Mxxxx-TT3-S32



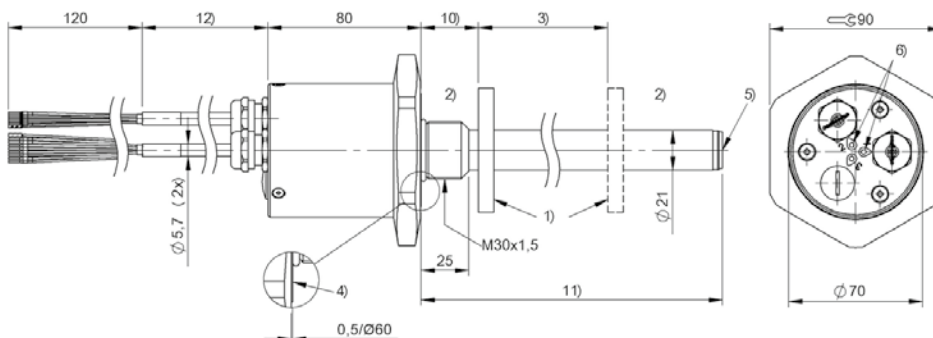
- 1) not included in scope of delivery
- 2) Non-usable area
- 3) Nominal length = Measuring length
- 4) Mounting surface
- 5) Internal threads M4x4/6 deep
- 6) LED function indicator
- 10) Null point
- 11) Installation length

BTL7-E505-Mxxxx-TT3-KAxx



- 1) not included in scope of delivery
- 2) Non-usable area
- 3) Nominal length = Measuring length
- 4) Mounting surface
- 5) Internal threads M4x4/6 deep
- 6) LED function indicator
- 10) Null point
- 11) Installation length
- 12) Cable length

BTL7-C504-Mxxxx-TT2-FAxx



- 1) not included in scope of delivery
- 2) Non-usable area
- 3) Nominal length = Measuring length
- 4) Mounting surface
- 5) Internal threads M4x4/6 deep
- 6) LED function indicator
- 10) Null point
- 11) Installation length
- 12) Cable length



	BTL7 -TT- SERIES - SSI
Interface	SSI
Measuring length	25...7620 mm
Repeat accuracy	≤ ± 5 µm
Linearity deviation	d = 1, 2, 3, 7, 9: nnnn = 25...2000: ± 60 µm nnnn = 2001...3250: ± 200 µm d = 4, 5: nnnn = 25...2000: ± 4 LSB nnnn = 2001...3250: ± 200 µm d = 6, 8: nnnn = 25...3250: ± 4 LSB
Operating voltage Ub	10...30 VDC
Ambient temperature	-40...85 °C
Mechanical configuration	Fastening M30 threads
Housing material	Aluminum, Anodized
IP rating	IP67
Approval/Conformity	I = S, KA: CE + cULus + EAC + WEEE I = FA: CE + EAC + WEEE
Ex category	—

BTL7-abcde-Mnnnn-fh-lm

BTL7

Magnetostrictive linear position sensor
Generation 7

a Interface

S = SSI

b Operating voltage

5 = 10 ... 30 V

c Interface characteristic 1

- 0 = 24 bits, binary, rising
- 1 = 24 bits, gray, rising
- 2 = 24 bits, binary, falling
- 3 = 24 bits, gray, falling
- 6 = 25 bits, binary, rising
- 7 = 25 bits, gray, rising
- 8 = 25 bits, binary, falling
- 9 = 25 bits, gray, falling
- A = 26 bits, binary, rising
- B = 26 bits, gray, rising
- C = 26 bits, binary, falling
- D = 26 bits, gray, falling

d Interface characteristic 2

- 1 = 1 µm
- 2 = 5 µm
- 3 = 10 µm
- 4 = 20 µm
- 5 = 40 µm
- 6 = 100 µm
- 7 = 2 µm
- 8 = 50 µm
- 9 = 0.5 µm

e Interface characteristic 3

D = Synchronous / configurable

Mnnnn Nominal length (4-position)

M0500 = metric in mm
(M0025...M3250)

f Form factor

TT = Mounting threads M30x1.5, for
O-ring, rod diameter 21 mm

h Redundancy

- 2 = 2 times redundant
- 3 = 3 times redundant

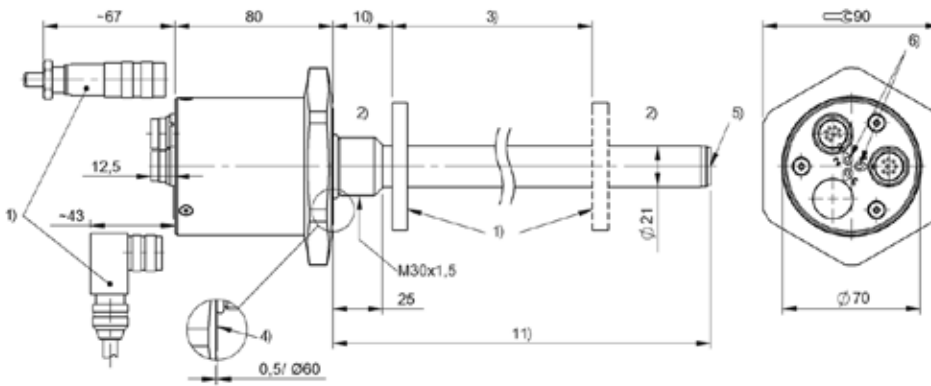
l Connection type

S = Connector
KA = Cable (PUR)
FA = Cable (PTFE)

m Connection type characteristic 1

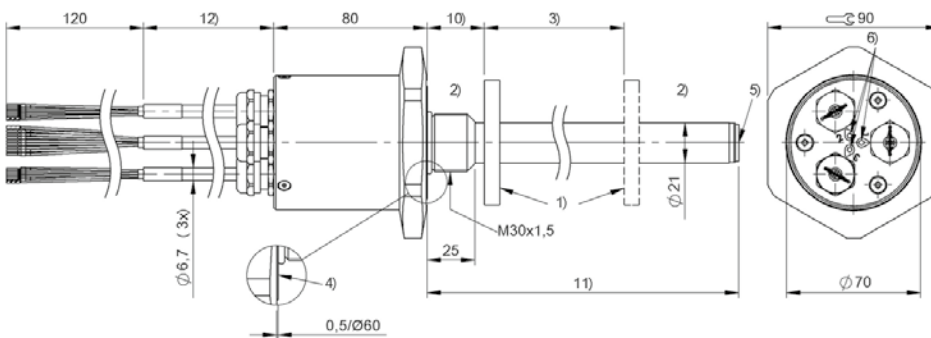
for connector:
32 = M16x0.75 connector with 8 pins
for cable (length in meters):
02, 05, 10

BTL7-S5xxD-Mxxxx-TT2-S32



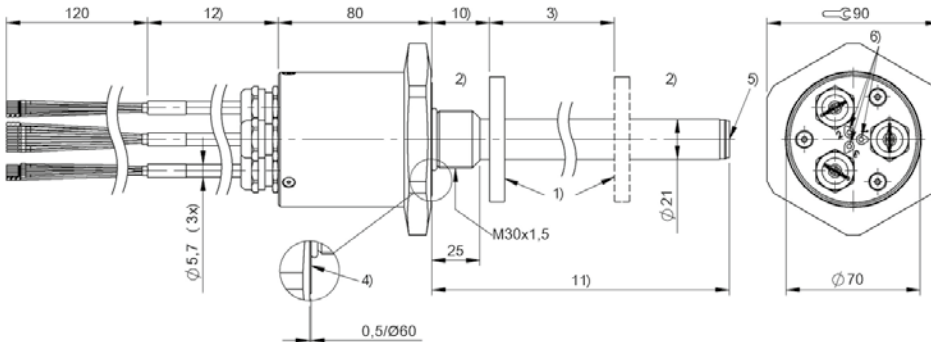
- 1) not included in scope of delivery
- 2) Non-usable area
- 3) Nominal length = Measuring length
- 4) Mounting surface
- 5) Internal threads M4x4/6 deep
- 6) LED function indicator
- 10) Null point
- 11) Installation length

BTL7-S5xxD-Mxxxx-TT3-KAxx



- 1) not included in scope of delivery
- 2) Non-usable area
- 3) Nominal length = Measuring length
- 4) Mounting surface
- 5) Internal threads M4x4/6 deep
- 6) LED function indicator
- 10) Null point
- 11) Installation length
- 12) Cable length

BTL7-S5xxD-Mxxxx-TT3-FAxx



- 1) not included in scope of delivery
- 2) Non-usable area
- 3) Nominal length = Measuring length
- 4) Mounting surface
- 5) Internal threads M4x4/6 deep
- 6) LED function indicator
- 10) Null point
- 11) Installation length
- 12) Cable length



	BTL7 -TT- SERIES - DIGITAL
Interface	Digital pulse
Measuring length	25...7620 mm
Repeat accuracy	≤ ± 5 µm
Linearity deviation	nmm = 0025...2000: ± 60 µm nmm = 2001...3250: ± 200 µm
Operating voltage Ub	10...30 VDC
Ambient temperature	-40...85 °C
Mechanical configuration	Fastening M30 threads
Housing material	Aluminum, Anodized
IP rating	IP67
Approval/Conformity	I = S, KA: CE + cULus + EAC + WEEE I = FA: CE + EAC + WEEE
Ex category	—

BTL7-abcd-Mnnnn-fh-lm

BTL7

Magnetostrictive linear position sensor
Generation 7

a Interface

P = Digital pulse interface

b Operating voltage

5 = 10 ... 30 V

c Interface characteristic 1

1 = Digital start/stop interface

d Interface characteristic 2

1 = DPI/IP communication interface

Mnnnn Nominal length (4-position)

M0500 = metric in mm
(M0025...M3250)

f Form factor

TT = Mounting threads M30x1.5, for
O-ring, rod diameter 21 mm

h Redundancy

2 = 2 times redundant
3 = 3 times redundant

l Connection type

S = Connector
KA = Cable (PUR)
FA = Cable (PTFE)

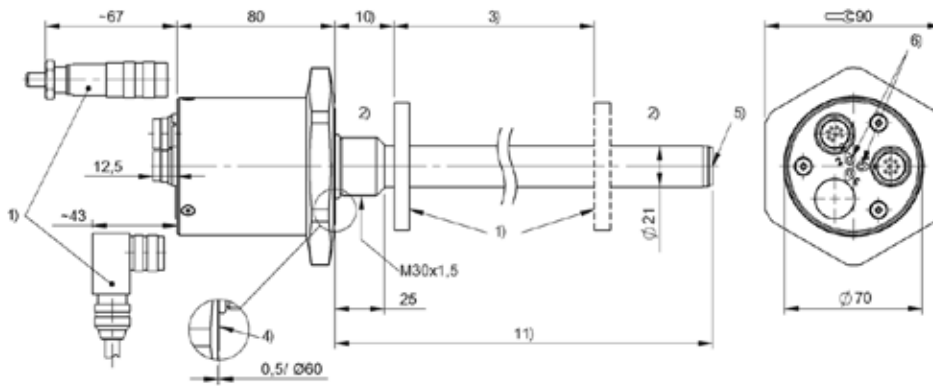
m Connection type characteristic 1

for connector:

32 = M16x0.75 connector with 8 pins

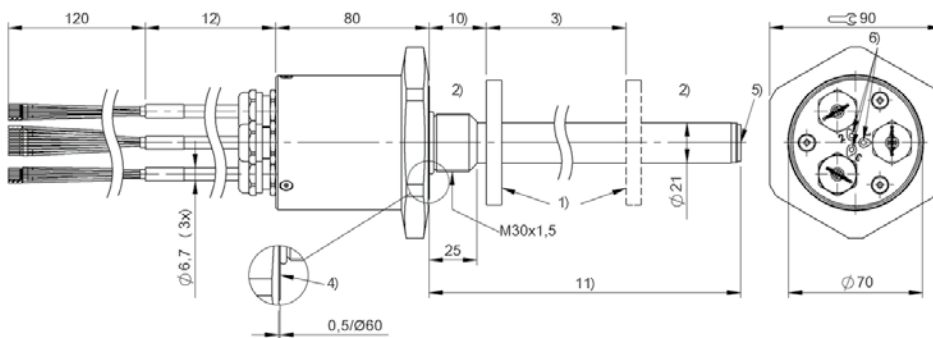
for cable (length in meters):
02, 05, 10

BTL7-P511-Mxxxx-TT2-S32



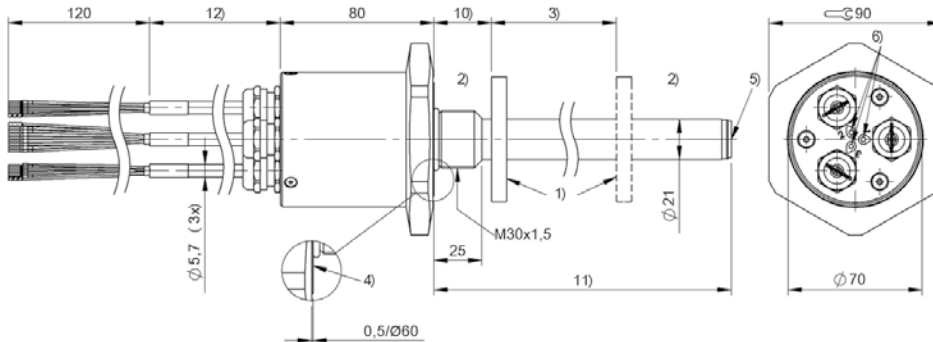
- 1) not included in scope of delivery
- 2) Non-usable area
- 3) Nominal length = Measuring length
- 4) Mounting surface
- 5) Internal threads M4x4/6 deep
- 6) LED function indicator
- 10) Null point
- 11) Installation length

BTL7-P511-Mxxxx-TT3-KAxx



- 1) not included in scope of delivery
- 2) Non-usable area
- 3) Nominal length = Measuring length
- 4) Mounting surface
- 5) Internal threads M4x4/6 deep
- 6) LED function indicator
- 10) Null point
- 11) Installation length
- 12) Cable length

BTL7-P511-Mxxxx-TT3-FAxx



- 1) not included in scope of delivery
- 2) Non-usable area
- 3) Nominal length = Measuring length
- 4) Mounting surface
- 5) Internal threads M4x4/6 deep
- 6) LED function indicator
- 10) Null point
- 11) Installation length
- 12) Cable length



	BTL7 -B-DEX- SERIES - ANALOG VOLTAGE
Interface	Analog, voltage
Measuring length	25...7620 mm
Repeat accuracy	± 10 µm
Linearity deviation	nmm = 0050...0500: ± 50 µm, nmm = 0501...5500: ± 0.01% FS, nmm > 5500: ± 0.02% FS
Operating voltage Ub	10...30 VDC
Ambient temperature	-40...80 °C
Mechanical configuration	Fastening M18 threads
Housing material	—
IP rating	IP68
Approval/Conformity	CE IECEX EAC WEEE
Ex category	ATEX: 1G (EPL Ga), ATEX: 2G (EPL Gb), ATEX: 3G (EPL Gc), ATEX: 2D (EPL Db), ATEX: 3D (EPL Dc), IECEX: EPL Ga, IECEX: EPL Gb, IECEX: EPL Gc, IECEX: EPL Db, IECEX: EPL Dc

BTL7-abcd-Mnnnn-f-ij-lm

BTL7

Magnetostrictive linear position sensor
Generation 7

a interface

A = Voltage output 0 ... 10 V
G = voltage output -10 ... 10 V

b Operating voltage

5 = 10 ... 30 V

c + d Interface characteristic 1 + 2

10 = 2 outputs, each 1 x rising/falling

Mnnnn Nominal length (4-position)

M0500 = metric in mm
(M0025...M7620: for rod diameter
10.2 mm)

f Style

B = Mounting threads M18x1.5, for
O-Ring

i Variant

DEX = Ignition protection category „d“ /
pressure-proof encapsulation

j Variant characteristic

A = float plug
B = short plug

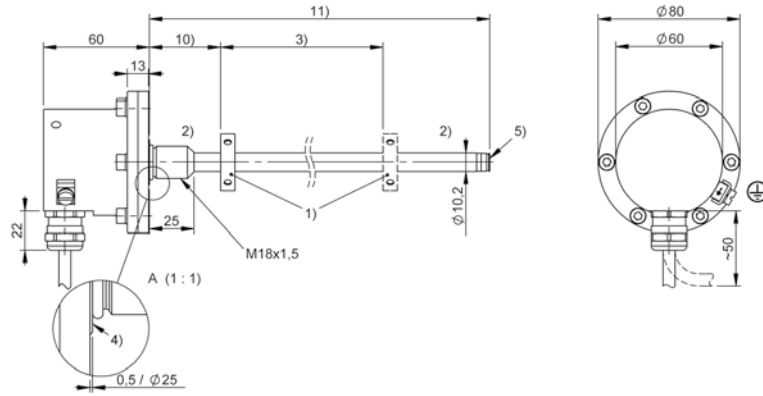
l Connection type

K = Cable out radial (PUR)
KA = Cable out axial (PUR)

m Connection type characteristic 1

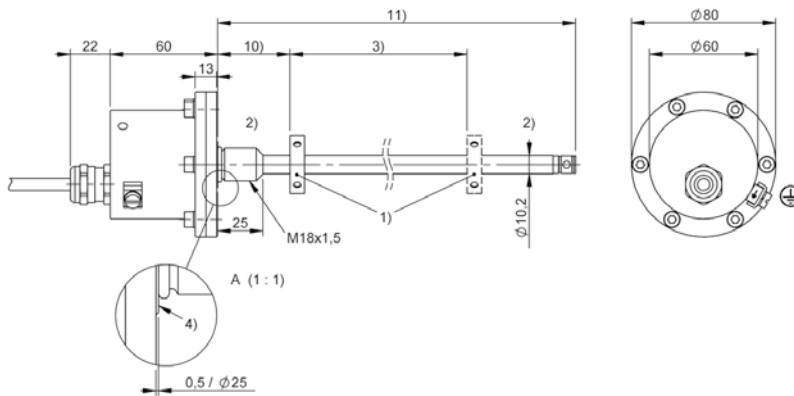
(length in meters)
02, 05, 10, 15, 20, 30

BTL7-A510-Mxxxx-B-DEXB-Kxx



- 1) not included in scope of delivery
- 2) Non-usable area
- 3) Nominal length = Measuring length
- 4) Mounting surface
- 5) Internal threads M4x4/6 deep
- 10) Null point
- 11) Installation length

BTL7-G510-Mxxxx-B-DEXA-KAxx



- 1) not included in scope of delivery
- 2) Non-usable area
- 3) Nominal length = Measuring length
- 4) Mounting surface
- 10) Null point
- 11) Installation length



	BTL7 -B-DEX- SERIES - ANALOG CURRENT
Interface	Analog, current
Measuring length	25...7620 mm
Repeat accuracy	± 10 µm
Linearity deviation	nmm = 0050...0500: ± 50 µm, nmm = 0501...5500: ± 0.01% FS, nmm > 5500: ± 0.02% FS
Operating voltage Ub	10...30 VDC
Ambient temperature	-40...80 °C
Mechanical configuration	Fastening M18 threads
Housing material	—
IP rating	IP68
Approval/Conformity	CE IECEX EAC WEEE
Ex category	ATEX: 1G (EPL Ga), ATEX: 2G (EPL Gb), ATEX: 3G (EPL Gc), ATEX: 2D (EPL Db), ATEX: 3D (EPL Dc), IECEX: EPL Ga, IECEX: EPL Gb, IECEX: EPL Gc, IECEX: EPL Db, IECEX: EPL Dc

BTL7-abcd-Mnnnn-f-ij-lm

BTL7

Magnetostrictive linear position sensor
Generation 7

a interface

C = Current output 0 ... 20 mA
E = Current output 4 ... 20 mA

b Operating voltage

5 = 10 ... 30 V

c + d Interface characteristic 1 + 2

00 = 1 output, rising
70 = 1 output, falling

Mnnnn Nominal length (4-position)

M0500 = metric in mm
(M0025...M7620: for rod diameter 10.2 mm)

f Style

B = Mounting threads M18x1.5, for
O-Ring

i Variant

DEX = Ignition protection category „d“ /
pressure-proof encapsulation

j Variant characteristic

A = float plug
B = short plug

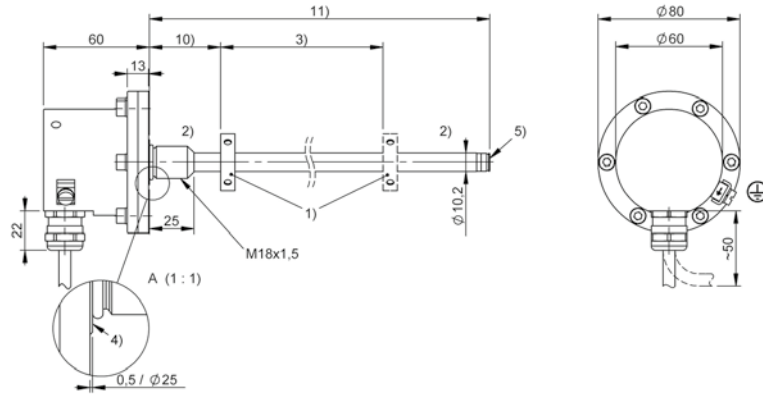
l Connection type

K = Cable out radial (PUR)
KA = Cable out axial (PUR)

m Connection type characteristic 1

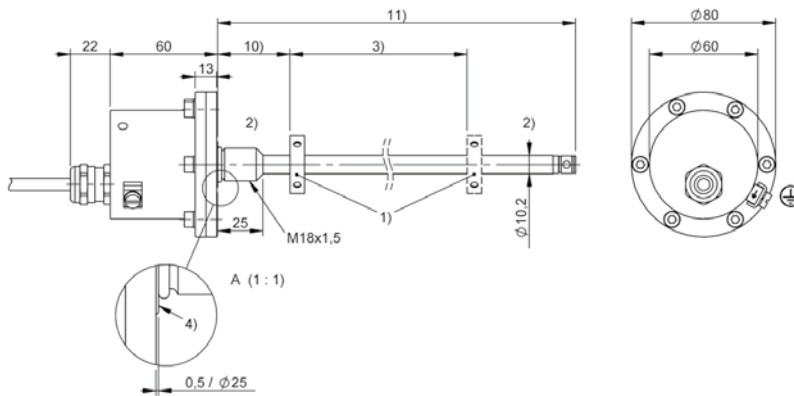
(length in meters)
02, 05, 10, 15, 20, 50, 100

BTL7-E500-Mxxxx-B-DEXB-K05



- 1) not included in scope of delivery
- 2) Non-usable area
- 3) Nominal length = Measuring length
- 4) Mounting surface
- 5) Internal threads M4x4/6 deep
- 10) Null point
- 11) Installation length

BTL7-C570-Mxxxx-B-DEXA-KA05



- 1) not included in scope of delivery
- 2) Non-usable area
- 3) Nominal length = Measuring length
- 4) Mounting surface
- 10) Null point
- 11) Installation length



	BTL5 -B-DEX- SERIES - DIGITAL
Interface	Start/Stop
Measuring length	25...4000 mm
Repeat accuracy	2 µm
Linearity deviation	nmm = 0025...0500: ± 100 µm, nmm > 0500: ± 0.02% FS
Operating voltage Ub	20...26 VDC
Ambient temperature	-40...60 °C
Mechanical configuration	Fastening M18 threads
Housing material	—
IP rating	IP67
Approval/Conformity	CE EAC IECEX KC WEEE
Ex category	ATEX: 1G (EPL Ga), ATEX: 2G (EPL Gb), ATEX: 3G (EPL Gc), IECEX: EPL Ga, IECEX: EPL Gb, IECEX: EPL Gc

BTL5-ab-Mnnnn-fg-ij-lm

BTL5

Magnetostrictive linear position sensor
Generation 5

a interface

P = Digital pulse interface (falling edge stabilized)
M = Digital pulse interface (rising edge stabilized)

b Operating voltage

1 = 20 ... 28 V

Mnnnn Nominal length (4-position)

M0500 = metric in mm
(M0050...M4000)

f Style

B = Mounting threads M18x1.5,
for O-Ring

g Form factor characteristic

- = Rod diameter 10.2 mm

i Variant

DEX = Ignition protection category „d“ /
pressure-proof encapsulation

j Variant characteristic

A = float plug
B = short plug

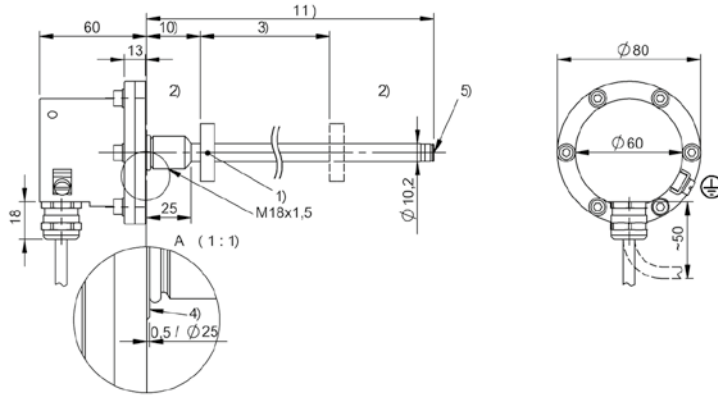
l Connection type

K = Cable out radial (PUR)
KA = Cable out axial (PUR)

m Connection type characteristic 1

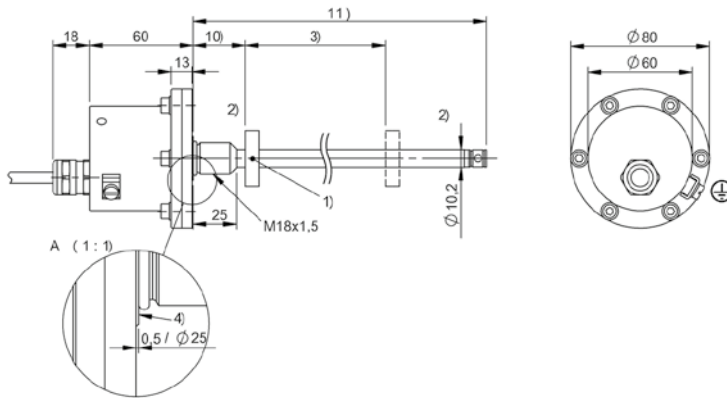
(length in meters)
02, 05, 10, 15, 20, 30

BTL5-Px-Mxxxx-B-DEXB-Kxx



- 1) not included in scope of delivery
- 2) Non-usable area
- 3) Nominal length = Measuring length
- 4) Mounting surface
- 5) Internal threads M4x4/6 deep
- 10) Null point
- 11) Installation length

BTL5-Px-Mxxxx-B-DEXA-KAxx



- 1) not included in scope of delivery
- 2) Non-usable area
- 3) Nominal length = Measuring length
- 4) Mounting surface
- 10) Null point
- 11) Installation length



	BTL5 -B-DEX- SERIES - SSI
Interface	SSI
Measuring length	25...4000 mm
Repeat accuracy	± 1 LSB
Linearity deviation	d = 1, 2, 3, 7: nnnn = 25...4000: ± 30µm d = 4, 5, 6, 8 nnnn = 25...4000: ± 2 LSB
Operating voltage Ub	20...26 VDC
Ambient temperature	-40...60 °C
Mechanical configuration	Fastening M18 threads
Housing material	—
IP rating	IP67
Approval/Conformity	CE EAC IECEX KC WEEE
Ex category	ATEX: 1G (EPL Ga), ATEX: 2G (EPL Gb), ATEX: 3G (EPL Gc), IECEX: EPL Ga, IECEX: EPL Gb, IECEX: EPL Gc

BTL5-abcde-Mnnnn-fg-ij-lm

BTL5

Magnetostrictive linear position sensor
Generation 5

a interface

S = SSI

b Operating voltage

1 = 20 ... 26 V

c Interface characteristic 1

- 0 = 24 bits, binary, rising
- 1 = 24 bits, gray, rising
- 2 = 24 bits, binary, falling
- 3 = 24 bits, gray, falling
- 6 = 25 bits, binary, rising
- 7 = 25 bits, gray, rising
- 8 = 25 bits, binary, falling
- 9 = 25 bits, gray, falling

d Interface characteristic 2

- 1 = 1 µm
- 2 = 5 µm
- 3 = 10 µm
- 4 = 20 µm
- 5 = 40 µm
- 6 = 100 µm
- 7 = 2 µm
- 8 = 50 µm

e Interface characteristic 3

- B = Synchronous mode
- = Asynchronous mode

Mnnnn Nominal length (4-position)

M0500 = metric in mm
(M0050...M4000)

f Style

B = Mounting threads M18x1.5,
for O-Ring

g Form factor characteristic

- = Rod diameter 10.2 mm

i Variant

DEX = Ignition protection category „d“ /
pressure-proof encapsulation

j Variant characteristic

A = float plug
B = short plug

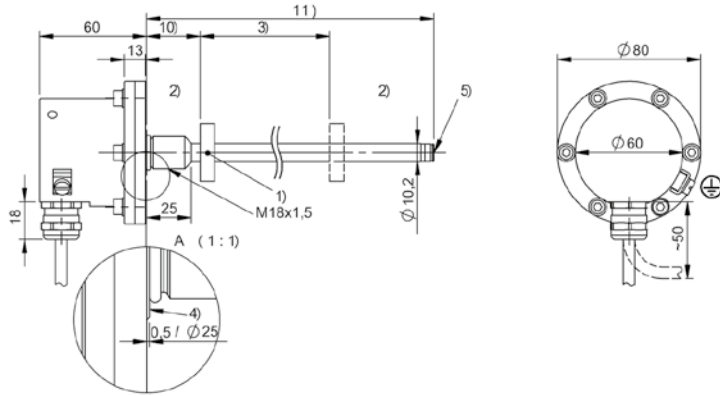
l Connection type

K = Cable out radial (PUR)
KA = Cable out axial (PUR)

m Connection type characteristic 1

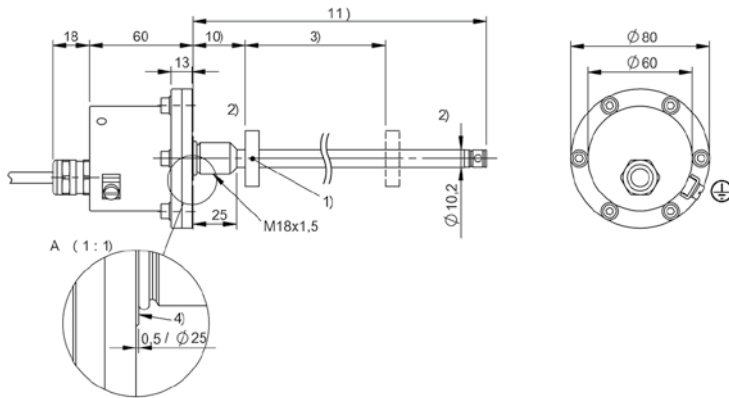
(length in meters)
02, 05, 10, 15, 20, 30

BTL5-Sxxxx-Mxxxx-B-DEXB-Kxx



- 1) not included in scope of delivery
- 2) Non-usable area
- 3) Nominal length = Measuring length
- 4) Mounting surface
- 5) Internal threads M4x4/6 deep
- 10) Null point
- 11) Installation length

BTL5-Sxxxx-Mxxxx-B-DEXA-KAxx



- 1) not included in scope of delivery
- 2) Non-usable area
- 3) Nominal length = Measuring length
- 4) Mounting surface
- 10) Null point
- 11) Installation length



	BTL7 -B-DEX- SERIES - PROFIBUS
Interface	Profibus
Measuring length	25...7620 mm
Repeat accuracy	$\leq \pm 10 \mu\text{m}$
Linearity deviation	nnnn = 0050...5500: $\pm 30 \mu\text{m}$, nnnn > 5500: $\pm 0.02\%$ FS
Operating voltage U_b	10...30 VDC
Ambient temperature	-40...60 °C
Mechanical configuration	Fastening M18 threads
Housing material	—
IP rating	IP68
Approval/Conformity	CE IECEX WEEE
Ex category	ATEX: 1G (EPL Ga), ATEX: 2G (EPL Gb), ATEX: 3G (EPL Gc), ATEX: 2D (EPL Db), ATEX: 3D (EPL Dc), IECEx: EPL Ga, IECEx: EPL Gb, IECEx: EPL Gc, IECEx: EPL Db, IECEx: EPL Dc

BTL7-abcd-Mnnnn-fg-ij-lm

BTL7

Magnetostrictive linear position sensor
Generation 7

a interface

T = PROFIBUS DP

b Operating voltage

5 = 10 ... 30 V

c + d Interface characteristic 1 + 2

00 = Flexible number of magnets

Mnnnn Nominal length (4-position)

M0500 = metric in mm

(M0025...M7620: for rod diameter
10.2 mm)

f Style

B = Mounting threads M18x1.5, for
O-Ring

g Form factor characteristic

- = Rod diameter 10.2 mm

i Variant

DEX = Ignition protection category „d“ /
pressure-proof encapsulation

j Variant characteristic

A/D = float plug

B/E = short plug

l Connection type

K = Cable out radial (PUR) / only for
variant characteristic A or B

KA = Cable out axial (PUR) / only for
variant characteristic A or B

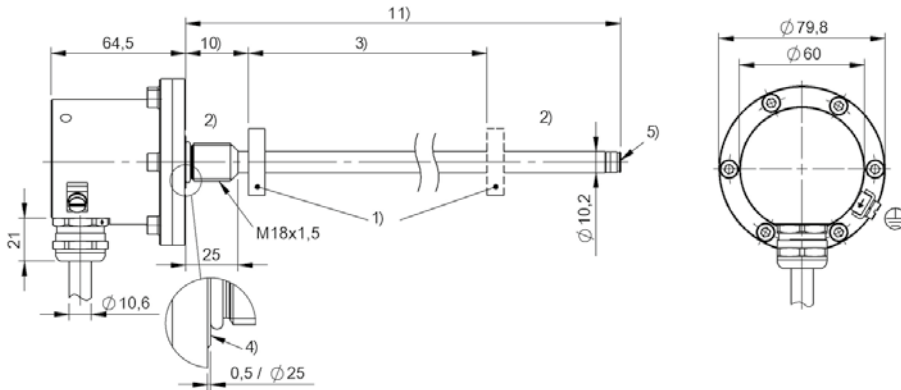
ZA1K = Wiring chamber for attachment
cover / only for variant characteristic
D or E

m Connection type characteristic 1

for cable (length in meters):

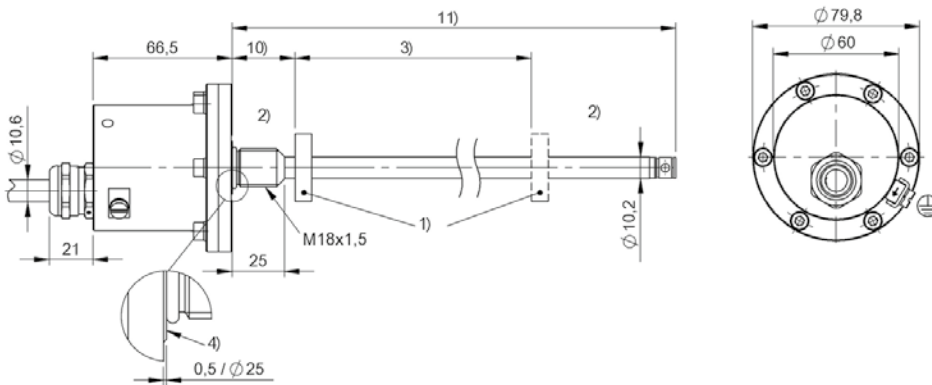
02, 05, 10, 15, 20, 50

BTL7-T500-Mxxxx-B-DEXB-Kxx



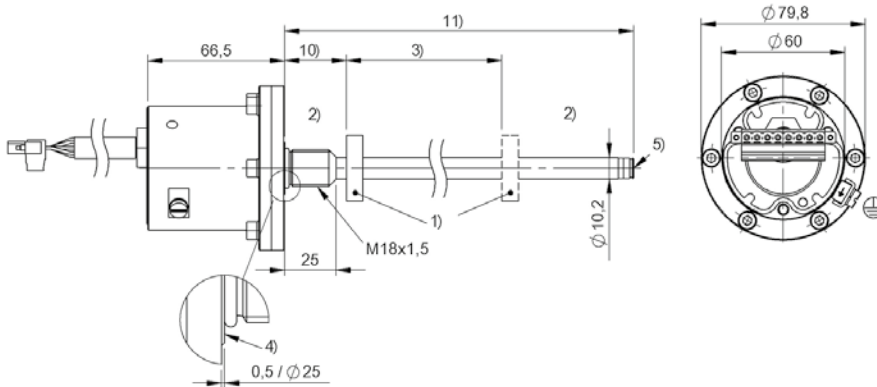
- 1) not included in scope of delivery
- 2) Non-usable area
- 3) Nominal length = Measuring length
- 4) Mounting surface
- 5) Internal threads M4x4/6 deep
- 10) Null point
- 11) Installation length

BTL7-T500-Mxxxx-B-DEXA-KAxx



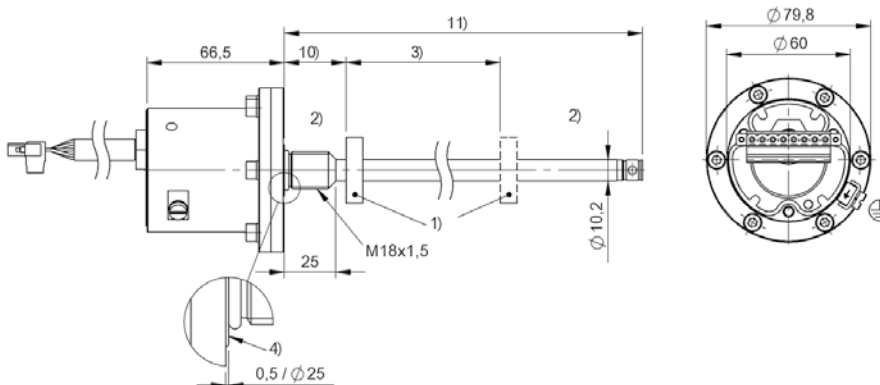
- 1) not included in scope of delivery
- 2) Non-usable area
- 3) Nominal length = Measuring length
- 4) Mounting surface
- 10) Null point
- 11) Installation length

BTL7-T500-Mxxxx-B-DEXE-ZA1K



- 1) not included in scope of delivery
- 2) Non-usable area
- 3) Nominal length = Measuring length
- 4) Mounting surface
- 5) Internal threads M4x4/6 deep
- 10) Null point
- 11) Installation length

BTL7-T500-Mxxxx-B-DEXD-ZA1K



- 1) not included in scope of delivery
- 2) Non-usable area
- 3) Nominal length = Measuring length
- 4) Mounting surface
- 10) Null point
- 11) Installation length



	BTL7 -Z-DEX- SERIES - ANALOG VOLTAGE
Interface	Analog, voltage
Measuring length	25...7620 mm
Repeat accuracy	± 10 µm
Linearity deviation	nmm = 0050...0500: ± 50 µm, nmm = 0501...5500: ± 0.01% FS, nmm > 5500: ± 0.02% FS
Operating voltage Ub	10...30 VDC
Ambient temperature	-40...80 °C
Mechanical configuration	Fastening 3/4" threads
Housing material	—
IP rating	IP68
Approval/Conformity	CE IECEX EAC WEEE
Ex category	ATEX: 1G (EPL Ga), ATEX: 2G (EPL Gb), ATEX: 3G (EPL Gc), ATEX: 2D (EPL Db), ATEX: 3D (EPL Dc), IECEX: EPL Ga, IECEX: EPL Gb, IECEX: EPL Gc, IECEX: EPL Db, IECEX: EPL Dc

BTL7-abcd-Mnnnn-f-ij-lm

BTL7

Magnetostrictive linear position sensor
Generation 7

a interface

A = Voltage output 0 ... 10 V
G = voltage output -10 ... 10 V

b Operating voltage

5 = 10 ... 30 V

c + d Interface characteristic 1 + 2

10 = 2 outputs, each 1 x rising/falling

Mnnnn Nominal length (4-position)

M0500 = metric in mm
(M0025...M7620: for rod diameter
10.2 mm)

f Style

Z = Inch threads 3/4"-16UNF,
for O-Ring

i Variant

DEX = Ignition protection category „d“ /
pressure-proof encapsulation

j Variant characteristic

A = float plug
B = short plug

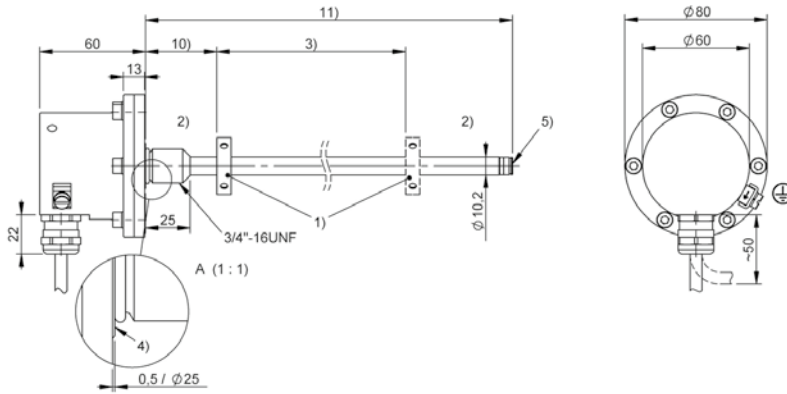
l Connection type

K = Cable out radial (PUR)
KA = Cable out axial (PUR)

m Connection type characteristic 1

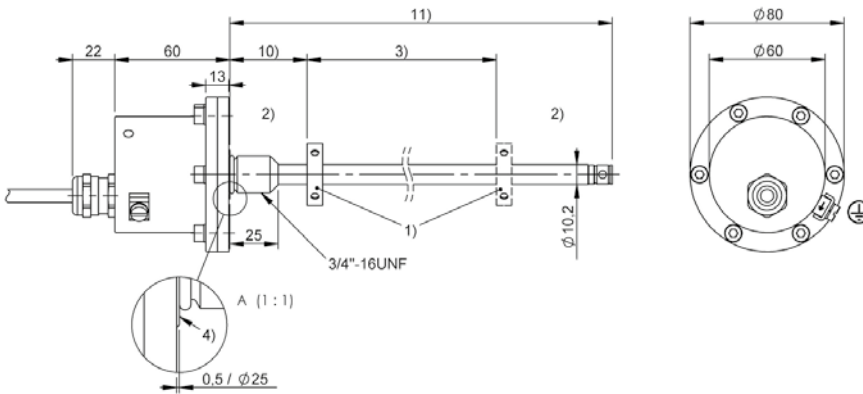
(length in meters)
02, 05, 10, 15, 20, 30

BTL7-A510-Mxxxx-Z-DEXB-K05



- 1) not included in scope of delivery
- 2) Non-usable area
- 3) Nominal length = Measuring length
- 4) Mounting surface
- 5) Internal threads M4x4/6 deep
- 10) Null point
- 11) Installation length

BTL7-G510-Mxxxx-Z-DEXA-KA05



- 1) not included in scope of delivery
- 2) Non-usable area
- 3) Nominal length = Measuring length
- 4) Mounting surface
- 10) Null point
- 11) Installation length



	BTL7 -Z-DEX- SERIES - ANALOG CURRENT
Interface	Analog, current
Measuring length	25...7620 mm
Repeat accuracy	± 10 µm
Linearity deviation	nmm = 0050...0500: ± 50 µm, nmm = 0501...5500: ± 0.01% FS, nmm > 5500: ± 0.02% FS
Operating voltage Ub	10...30 VDC
Ambient temperature	-40...80 °C
Mechanical configuration	Fastening 3/4" threads
Housing material	—
IP rating	IP68
Approval/Conformity	CE IECEX EAC WEEE
Ex category	ATEX: 1G (EPL Ga), ATEX: 2G (EPL Gb), ATEX: 3G (EPL Gc), ATEX: 2D (EPL Db), ATEX: 3D (EPL Dc), IECEX: EPL Ga, IECEX: EPL Gb, IECEX: EPL Gc, IECEX: EPL Db, IECEX: EPL Dc

BTL7-abcd-Mnnnn-f-ij-lm

BTL7

Magnetostrictive linear position sensor
Generation 7

a interface

C = Current output 0 ... 20 mA
E = Current output 4 ... 20 mA

b Operating voltage

5 = 10 ... 30 V

c + d Interface characteristic 1 + 2

00 = 1 output, rising
70 = 1 output, falling

Mnnnn Nominal length (4-position)

M0500 = metric in mm
(M0025...M7620: for rod diameter
10.2 mm)

f Style

Z = Inch threads 3/4"-16UNF,
for O-Ring

i Variant

DEX = Ignition protection category „d“ /
pressure-proof encapsulation

j Variant characteristic

A = float plug
B = short plug

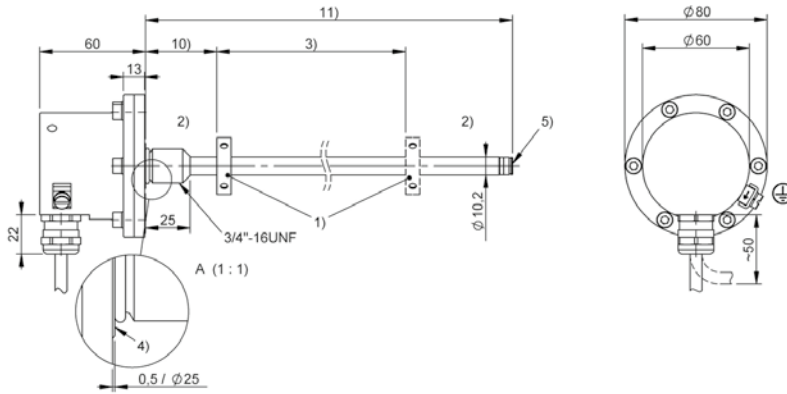
l Connection type

K = Cable out radial (PUR)
KA = Cable out axial (PUR)

m Connection type characteristic 1

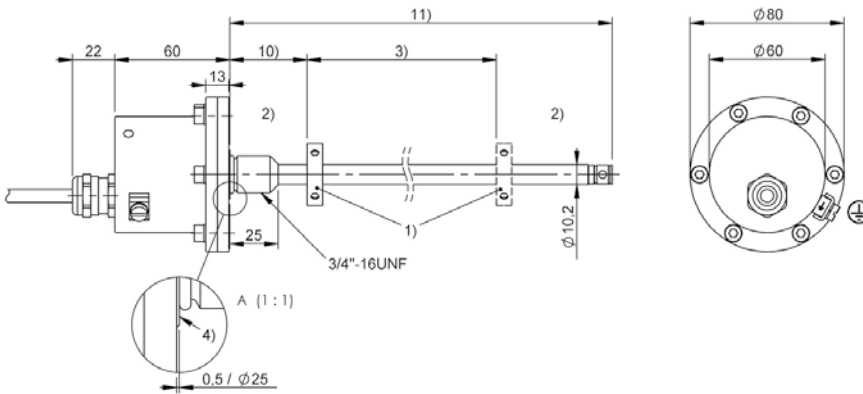
(length in meters)
02, 05, 10, 15, 20, 50, 100

BTL7-E500-Mxxxx-Z-DEXB-K05



- 1) not included in scope of delivery
- 2) Non-usable area
- 3) Nominal length = Measuring length
- 4) Mounting surface
- 5) Internal threads M4x4/6 deep
- 10) Null point
- 11) Installation length

BTL7-C570-Mxxxx-Z-DEXA-KA05



- 1) not included in scope of delivery
- 2) Non-usable area
- 3) Nominal length = Measuring length
- 4) Mounting surface
- 10) Null point
- 11) Installation length



	BTL5 -Z-DEX- SERIES - DIGITAL
Interface	Start/Stop
Measuring length	25...4000 mm
Repeat accuracy	2 µm
Linearity deviation	nmm = 0025...0500: ± 100 µm, nmm > 0500: ± 0.02% FS
Operating voltage Ub	20...26 VDC
Ambient temperature	-40...60 °C
Mechanical configuration	Fastening 3/4" threads
Housing material	—
IP rating	IP67
Approval/Conformity	CE EAC IECEX KC WEEE
Ex category	ATEX: 1G (EPL Ga), ATEX: 2G (EPL Gb), ATEX: 3G (EPL Gc), IECEX: EPL Ga, IECEX: EPL Gb, IECEX: EPL Gc

BTL5-ab-Mnnnn-fg-ij-lm

BTL5

Magnetostrictive linear position sensor
Generation 5

a interface

P = Digital pulse interface (falling edge stabilized)
M = Digital pulse interface (rising edge stabilized)

b Operating voltage

1 = 20 ... 28 V

Mnnnn Nominal length (4-position)

M0500 = metric in mm
(M0050...M4000)

f Style

Z = Inch threads 3/4"-16UNF, for O-Ring

g Form factor characteristic

- = Rod diameter 10.2 mm

i Variant

DEX = Ignition protection category „d“ / pressure-proof encapsulation

j Variant characteristic

A = float plug
B = short plug

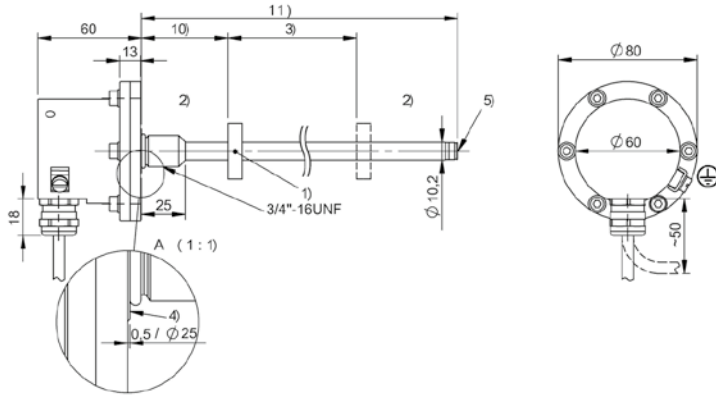
l Connection type

K = Cable out radial (PUR)
KA = Cable out axial (PUR)

m Connection type characteristic 1

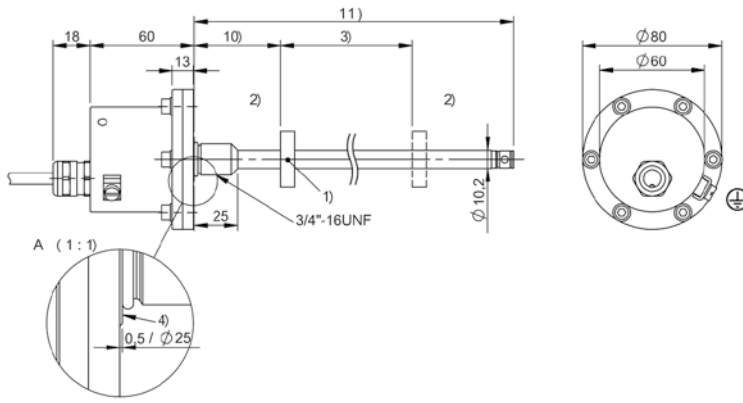
(length in meters)
02, 05, 10, 15, 20, 30

BTL5-Px-Mxxxx-Z-DEXB-Kxx



- 1) not included in scope of delivery
- 2) Non-usable area
- 3) Nominal length = Measuring length
- 4) Mounting surface
- 5) Internal threads M4x4/6 deep

BTL5-Px-Mxxxx-Z-DEXA-KAxx



- 1) not included in scope of delivery
- 2) Non-usable area
- 3) Nominal length = Measuring length
- 4) Mounting surface



BTL5 -Z-DEX- SERIES - SSI	
Interface	SSI
Measuring length	25...4000 mm
Repeat accuracy	± 1 LSB
Linearity deviation	d = 1, 2, 3, 7: nnnn = 25...4000: ± 30µm d = 4, 5, 6, 8 nnnn = 25...4000: ± 2 LSB
Operating voltage Ub	20...26 VDC
Ambient temperature	-40...60 °C
Mechanical configuration	Fastening 3/4" threads
Housing material	—
IP rating	IP67
Approval/Conformity	CE EAC IECEX KC WEEE
Ex category	ATEX: 1G (EPL Ga), ATEX: 2G (EPL Gb), ATEX: 3G (EPL Gc), IECEX: EPL Ga, IECEX: EPL Gb, IECEX: EPL Gc

BTL5-abcde-Mnnnn-fg-ij-lm

BTL5

Magnetostrictive linear position sensor
Generation 5

a interface

S = SSI

b Operating voltage

1 = 20 ... 28 V

c Interface characteristic 1

- 0 = 24 bits, binary, rising
- 1 = 24 bits, gray, rising
- 2 = 24 bits, binary, falling
- 3 = 24 bits, gray, falling
- 6 = 25 bits, binary, rising
- 7 = 25 bits, gray, rising
- 8 = 25 bits, binary, falling
- 9 = 25 bits, gray, falling

d Interface characteristic 2

- 1 = 1 µm
- 2 = 5 µm
- 3 = 10 µm
- 4 = 20 µm
- 5 = 40 µm
- 6 = 100 µm
- 7 = 2 µm
- 8 = 50 µm

e Interface characteristic 3

- B = Synchronous mode
- = Asynchronous mode

Mnnnn Nominal length (4-position)

M0500 = metric in mm
(M0050...M4000)

f Style

Z = Inch threads 3/4"-16UNF, for
O-Ring

g Form factor characteristic

- = Rod diameter 10.2 mm

i Variant

DEX = Ignition protection category „d“ /
pressure-proof encapsulation

j Variant characteristic

A = float plug
B = short plug

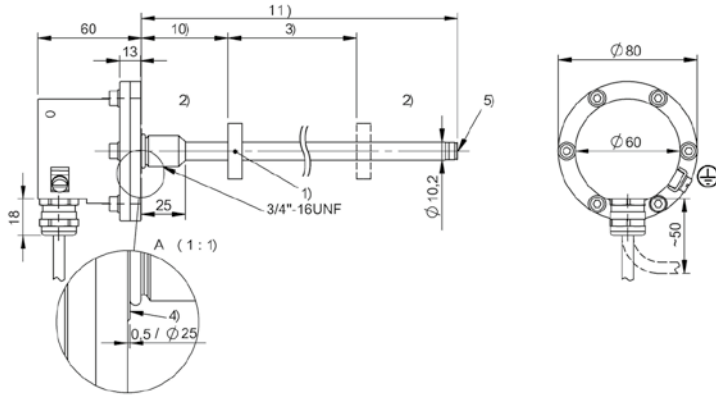
l Connection type

K = Cable out radial (PUR)
KA = Cable out axial (PUR)

m Connection type characteristic 1

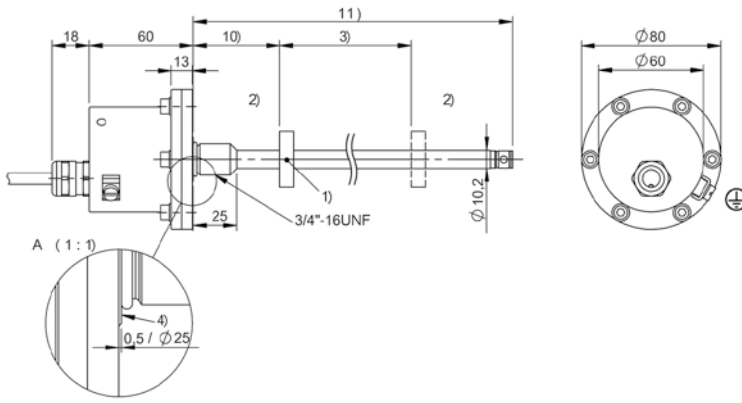
(length in meters)
02, 05, 10, 15, 20, 30

BTL5-Sxxxx-Mxxxx-Z-DEXB-Kxx



- 1) not included in scope of delivery
- 2) Non-usable area
- 3) Nominal length = Measuring length
- 4) Mounting surface
- 5) Internal threads M4x4/6 deep

BTL5-Sxxxx-Mxxxx-Z-DEXA-KAxx



- 1) not included in scope of delivery
- 2) Non-usable area
- 3) Nominal length = Measuring length
- 4) Mounting surface



	BTL7 -Z-DEX- SERIES - PROFIBUS
Interface	Profibus
Measuring length	25...7620 mm
Repeat accuracy	≤ ± 10 µm
Linearity deviation	nmm = 0050...5500: ± 30 µm, nmm > 5500: ± 0.02% FS
Operating voltage Ub	10...30 VDC
Ambient temperature	-40...60 °C
Mechanical configuration	Fastening 3/4" threads
Housing material	—
IP rating	IP68
Approval/Conformity	CE IECEX WEEE
Ex category	ATEX: 1G (EPL Ga), ATEX: 2G (EPL Gb), ATEX: 3G (EPL Gc), ATEX: 2D (EPL Db), ATEX: 3D (EPL Dc), IECEx: EPL Ga, IECEx: EPL Gb, IECEx: EPL Gc, IECEx: EPL Db, IECEx: EPL Dc

BTL7-abcd-Mnnnn-fg-ij-lm

BTL7

Magnetostrictive linear position sensor
Generation 7

a interface

T = PROFIBUS DP

b Operating voltage

5 = 10 ... 30 V

c + d Interface characteristic 1 + 2

00 = Flexible number of magnets

Mnnnn Nominal length (4-position)

M0500 = metric in mm
(M0025...M7620: for rod diameter
10.2 mm)

f Style

Z = Inch threads 3/4"-16UNF,
for O-Ring

g Form factor characteristic

- = Rod diameter 10.2 mm

i Variant

DEX = Ignition protection category „d“ /
pressure-proof encapsulation

j Variant characteristic

A/D = float plug
B/E = short plug

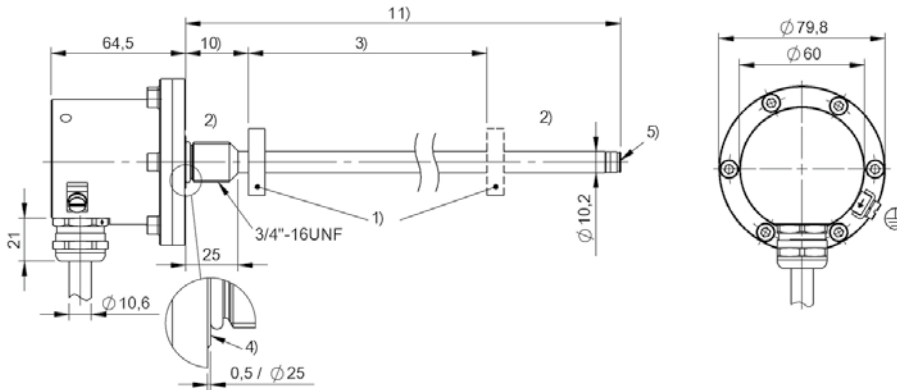
l Connection type

K = Cable out radial (PUR) / only for
variant characteristic A or B
KA = Cable out axial (PUR) / only for
variant characteristic A or B
ZA1K = Wiring chamber for attachment
cover / only for variant characteristic D
or E

m Connection type characteristic 1

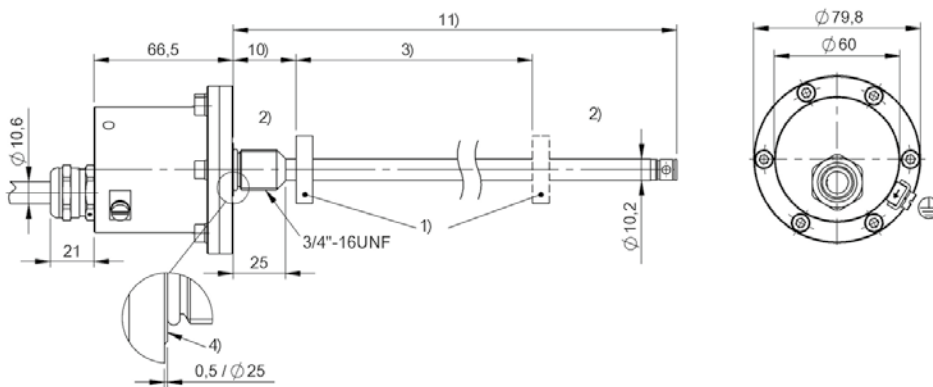
for cable (length in meters):
02, 05, 10, 15, 20, 50

BTL7-T500-Mxxxx-Z-DEXB-Kxx



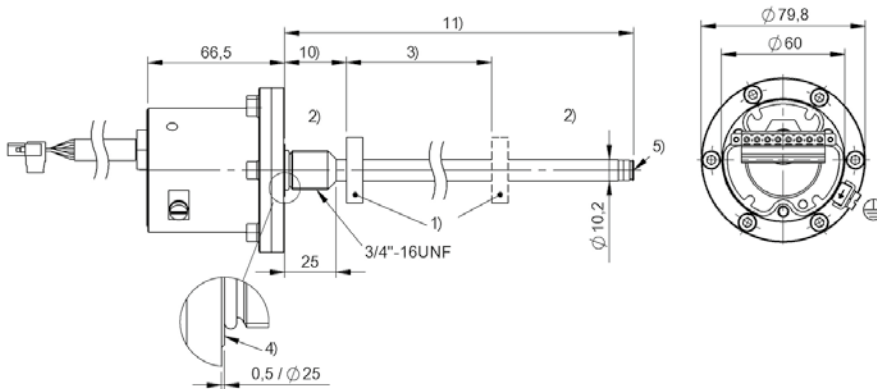
- 1) not included in scope of delivery
- 2) Non-usable area
- 3) Nominal length = Measuring length
- 4) Mounting surface
- 5) Internal threads M4x4/6 deep
- 10) Null point
- 11) Installation length

BTL7-T500-Mxxxx-Z-DEXA-KAxx



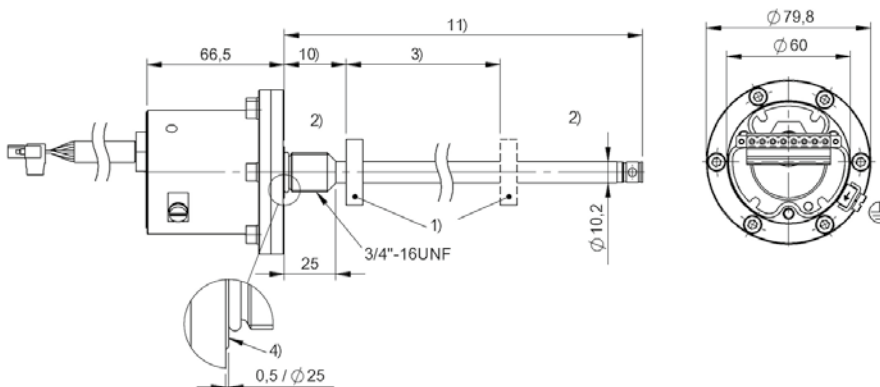
- 1) not included in scope of delivery
- 2) Non-usable area
- 3) Nominal length = Measuring length
- 4) Mounting surface
- 10) Null point
- 11) Installation length

BTL7-T500-Mxxxx-Z-DEXE-ZA1K



- 1) not included in scope of delivery
- 2) Non-usable area
- 3) Nominal length = Measuring length
- 4) Mounting surface
- 5) Internal threads M4x4/6 deep
- 10) Null point
- 11) Installation length

BTL7-T500-Mxxxx-Z-DEXD-ZA1K



- 1) not included in scope of delivery
- 2) Non-usable area
- 3) Nominal length = Measuring length
- 4) Mounting surface
- 10) Null point
- 11) Installation length



	BTL7 -J-DEX-A/B- SERIES - ANALOG VOLTAGE
Interface	Analog, voltage
Measuring length	25...7620 mm
Repeat accuracy	± 10 µm
Linearity deviation	nmm = 0050...0500: ± 50 µm, nmm = 0501...5500: ± 0.01% FS, nmm > 5500: ± 0.02% FS
Operating voltage Ub	10...30 VDC
Ambient temperature	-40...80 °C
Mechanical configuration	Fastening 18h6 fit
Housing material	—
IP rating	IP68
Approval/Conformity	CE IECEX EAC WEEE
Ex category	ATEX: 1G (EPL Ga), ATEX: 2G (EPL Gb), ATEX: 3G (EPL Gc), ATEX: 2D (EPL Db), ATEX: 3D (EPL Dc), IECEX: EPL Ga, IECEX: EPL Gb, IECEX: EPL Gc, IECEX: EPL Db, IECEX: EPL Dc

BTL7-abcd-Mnnnn-f-ij-lm

BTL7

Magnetostrictive linear position sensor
Generation 7

a interface

A = Voltage output 0 ... 10 V
G = voltage output -10 ... 10 V

b Operating voltage

5 = 10 ... 30 V

c + d Interface characteristic 1 + 2

10 = 2 outputs, each 1 x rising/falling

Mnnnn Nominal length (4-position)

M0500 = metric in mm
(M0025...M7620: for rod diameter
10.2 mm)

f Style

J = Flange 18h6

i Variant

DEX = Ignition protection category „d“ /
pressure-proof encapsulation

j Variant characteristic

A = float plug
B = short plug

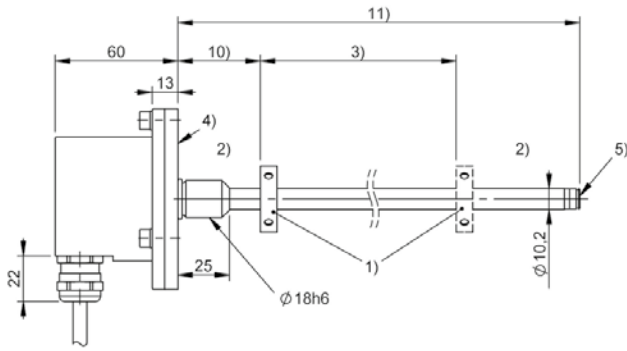
l Connection type

K = Cable out radial (PUR)

m Connection type characteristic 1

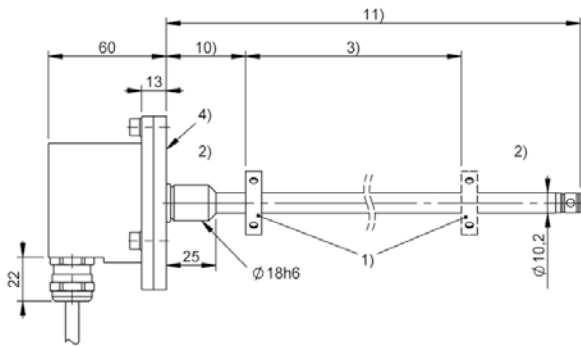
for cable (length in meters):
02, 05, 10, 15, 20, 30

BTL7-A510-Mxxxx-J-DEXB-Kxx



- 1) not included in scope of delivery
- 2) Non-usable area
- 3) Nominal length = Measuring length
- 4) Mounting surface
- 10) Null point
- 11) Installation length

BTL7-G510-Mxxxx-J-DEXA-Kxx



- 1) not included in scope of delivery
- 2) Non-usable area
- 3) Nominal length = Measuring length
- 4) Mounting surface
- 10) Null point
- 11) Installation length



BTL7 -J-DEX-A/B- SERIES - ANALOG CURRENT	
Interface	Analog, current
Measuring length	25...7620 mm
Repeat accuracy	± 10 µm
Linearity deviation	nmm = 0050...0500: ± 50 µm, nmm = 0501...5500: ± 0.01% FS, nmm > 5500: ± 0.02% FS
Operating voltage Ub	10...30 VDC
Ambient temperature	-40...80 °C
Mechanical configuration	Fastening 18h6 fit
Housing material	—
IP rating	IP68
Approval/Conformity	CE IECEX EAC WEEE
Ex category	ATEX: 1G (EPL Ga), ATEX: 2G (EPL Gb), ATEX: 3G (EPL Gc), ATEX: 2D (EPL Db), ATEX: 3D (EPL Dc), IECEX: EPL Ga, IECEX: EPL Gb, IECEX: EPL Gc, IECEX: EPL Db, IECEX: EPL Dc

BTL7-abcd-Mnnnn-f-ij-lm

BTL7

Magnetostrictive linear position sensor
Generation 7

a interface

C = Current output 0 ... 20 mA
E = Current output 4 ... 20 mA

b Operating voltage

5 = 10 ... 30 V

c + d Interface characteristic 1 + 2

00 = 1 output, rising
70 = 1 output, falling

Mnnnn Nominal length (4-position)

M0500 = metric in mm
(M0025...M7620: for rod diameter
10.2 mm)

f Style

J = Flange 18h6

i Variant

DEX = Ignition protection category „d“ /
pressure-proof encapsulation

j Variant characteristic

A = float plug
B = short plug

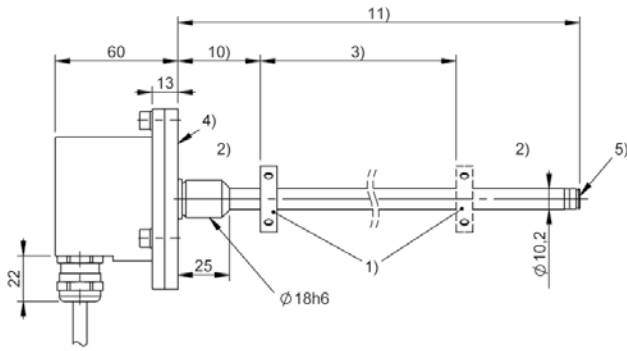
l Connection type

K = Cable out radial (PUR)

m Connection type characteristic 1

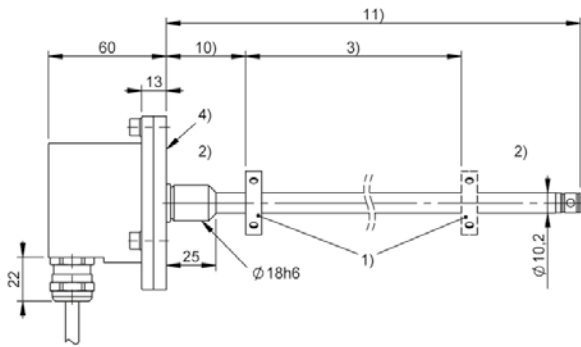
for cable (length in meters):
02, 05, 10, 15, 20, 50, 100

BTL7-E500-Mxxxx-J-DEXB-Kxx



- 1) not included in scope of delivery
- 2) Non-usable area
- 3) Nominal length = Measuring length
- 4) Mounting surface
- 5) Internal threads M4x4/6 deep
- 10) Null point
- 11) Installation length

BTL7-C570-Mxxxx-J-DEXA-Kxx



- 1) not included in scope of delivery
- 2) Non-usable area
- 3) Nominal length = Measuring length
- 4) Mounting surface
- 10) Null point
- 11) Installation length



	BTL5 -J-DEX-A/B- SERIES - SSI
Interface	SSI
Measuring length	25...4000 mm
Repeat accuracy	± 1 LSB
Linearity deviation	d = 1, 2, 3, 7: nnnn = 25...4000: ± 30µm d = 4, 5, 6, 8 nnnn = 25...4000: ± 2 LSB
Operating voltage Ub	20...26 VDC
Ambient temperature	-40...60 °C
Mechanical configuration	Fastening 18h6 fit
Housing material	—
IP rating	IP67
Approval/Conformity	CE EAC IECEX KC WEEE
Ex category	ATEX: 1G (EPL Ga), ATEX: 2G (EPL Gb), ATEX: 3G (EPL Gc), IECEX: EPL Ga, IECEX: EPL Gb, IECEX: EPL Gc

BTL5-abcde-Mnnnn-fg-ij-lm

BTL5

Magnetostrictive linear position sensor
Generation 5

a interface

S = SSI

b Operating voltage

1 = 20 ... 28 V

c Interface characteristic 1

0 = 24 bits, binary, rising
1 = 24 bits, gray, rising
2 = 24 bits, binary, falling
3 = 24 bits, gray, falling
6 = 25 bits, binary, rising
7 = 25 bits, gray, rising
8 = 25 bits, binary, falling
9 = 25 bits, gray, falling

d Interface characteristic 2

1 = 1 µm
2 = 5 µm
3 = 10 µm
4 = 20 µm
5 = 40 µm
6 = 100 µm
7 = 2 µm
8 = 50 µm

e Interface characteristic 3

B = Synchronous mode
- = Asynchronous mode

Mnnnn Nominal length (4-position)

M0500 = metric in mm
(M0050...M4000)

f Style

J = Flange 18h6

g Form factor characteristic

- = Rod diameter 10.2 mm

i Variant

DEX = Ignition protection category „d“ /
pressure-proof encapsulation

j Variant characteristic

A = float plug
B = short plug

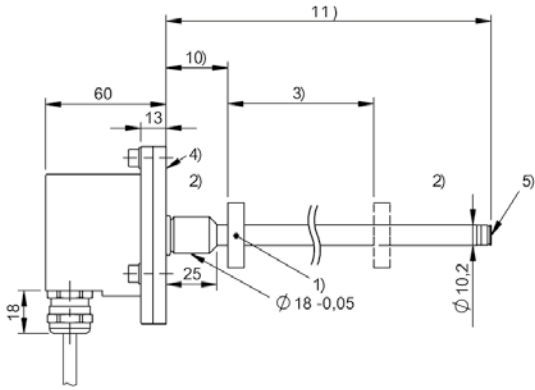
l Connection type

K = Cable out radial (PUR)

m Connection type characteristic 1

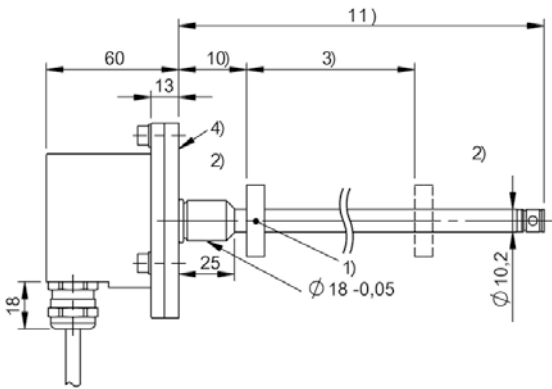
(length in meters)
02, 05, 10, 15, 20, 30

BTL5-Sxxxx-Mxxxx-J-DEXB-Kxx



- 1) not included in scope of delivery
- 2) Non-usable area
- 3) Nominal length = Measuring length
- 4) Mounting surface
- 5) Internal threads M4x4/6 deep

BTL5-Sxxxx-Mxxxx-J-DEXA-Kxx



- 1) not included in scope of delivery
- 2) Non-usable area
- 3) Nominal length = Measuring length
- 4) Mounting surface



	BTL5 -J-DEX-A/B- SERIES - DIGITAL
Interface	Start/Stop
Measuring length	25...4000 mm
Repeat accuracy	2 µm
Linearity deviation	nnnn = 0025...0500: ± 100 µm, nnnn > 0500: ± 0.02% FS
Operating voltage Ub	20...26 VDC
Ambient temperature	-40...60 °C
Mechanical configuration	Fastening 18h6 fit
Housing material	—
IP rating	IP67
Approval/Conformity	CE EAC IECEX KC WEEE
Ex category	ATEX: 1G (EPL Ga), ATEX: 2G (EPL Gb), ATEX: 3G (EPL Gc), IECEX: EPL Ga, IECEX: EPL Gb, IECEX: EPL Gc

BTL5-ab-Mnnnn-fg-ij-lm

BTL5

Magnetostrictive linear position sensor
Generation 5

a interface

P = Digital pulse interface (falling edge stabilized)
M = Digital pulse interface (rising edge stabilized)

b Operating voltage

1 = 20 ... 28 V

Mnnnn Nominal length (4-position)

M0500 = metric in mm
(M0050...M4000)

f Style

J = Flange 18h6

g Form factor characteristic

- = Rod diameter 10.2 mm

i Variant

DEX = Ignition protection category „d“ / pressure-proof encapsulation

j Variant characteristic

A = float plug
B = short plug

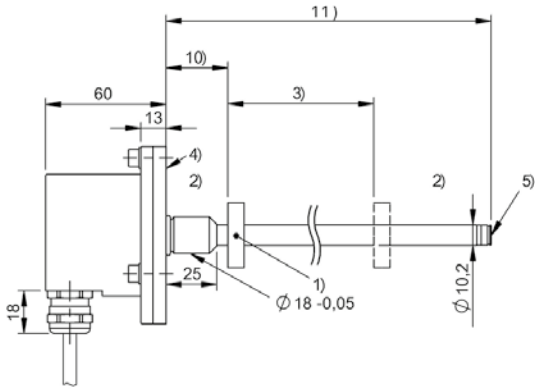
l Connection type

K = Cable out radial (PUR)

m Connection type characteristic 1

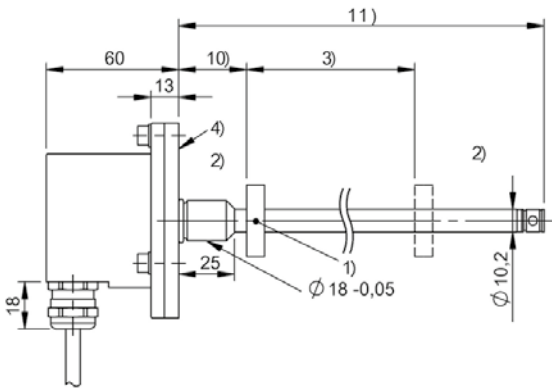
(length in meters)
02, 05, 10, 15, 20, 30

BTL5-Px-Mxxxx-J-DEXB-Kxx



- 1) not included in scope of delivery
- 2) Non-usable area
- 3) Nominal length = Measuring length
- 4) Mounting surface
- 5) Internal threads M4x4/6 deep

BTL5-Px-Mxxxx-J-DEXA-Kxx



- 1) not included in scope of delivery
- 2) Non-usable area
- 3) Nominal length = Measuring length
- 4) Mounting surface



	BTL7 -J-DEX-A/B/D/E-SERIES - PROFIBUS
Interface	Profibus
Measuring length	25...7620 mm
Repeat accuracy	≤ ± 10 μm
Linearity deviation	nnnn = 0050...5500: ± 30 μm, nnnn > 5500: ± 0.02% FS
Operating voltage Ub	10...30 VDC
Ambient temperature	-40...60 °C
Mechanical configuration	Fastening 18h6 fit
Housing material	—
IP rating	IP68
Approval/Conformity	CE IECEX WEEE
Ex category	ATEX: 1G (EPL Ga), ATEX: 2G (EPL Gb), ATEX: 3G (EPL Gc), ATEX: 2D (EPL Db), ATEX: 3D (EPL Dc), IECEx: EPL Ga, IECEx: EPL Gb, IECEx: EPL Gc, IECEx: EPL Db, IECEx: EPL Dc

BTL7-abcd-Mnnnn-fg-ij-lm

BTL7

Magnetostrictive linear position sensor
Generation 7

a interface

T = PROFIBUS DP

b Operating voltage

5 = 10 ... 30 V

c + d Interface characteristic 1 + 2

00 = Flexible number of magnets

Mnnnn Nominal length (4-position)

M0500 = metric in mm
(M0025...M7620: for rod diameter
10.2 mm)

f Style

J = Flange 18h6

g Form factor characteristic

- = Rod diameter 10.2 mm

i Variant

DEX = Ignition protection category „d“ /
pressure-proof encapsulation

j Variant characteristic

A/D = float plug
B/E = short plug

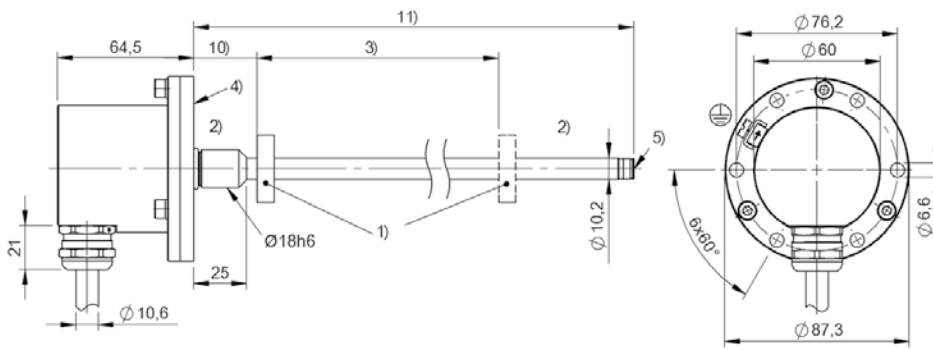
l Connection type

K = Cable out radial (PUR) / only for
variant characteristic A or B
ZA1K = Wiring chamber for attachment
cover / only for variant characteristic
D or E

m Connection type characteristic 1

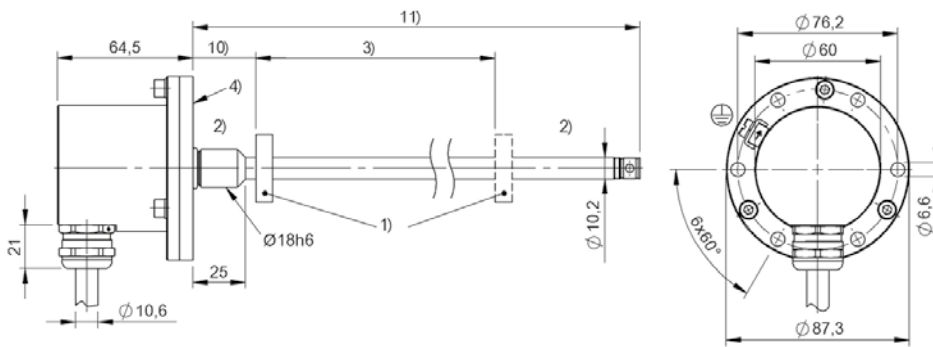
for cable (length in meters):
02, 05, 10, 15, 20, 50

BTL7-T500-Mxxxx-J-DEXB-Kxx



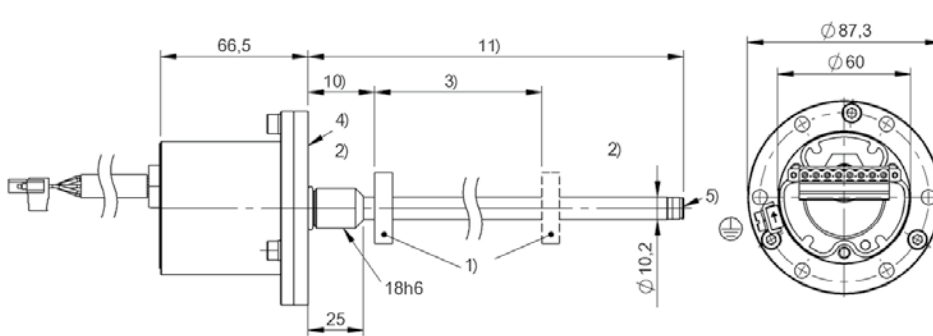
- 1) not included in scope of delivery
- 2) Non-usable area
- 3) Nominal length = Measuring length
- 4) Mounting surface
- 5) Internal threads M4x4/6 deep
- 10) Null point
- 11) Installation length

BTL7-T500-Mxxxx-J-DEXA-Kxx



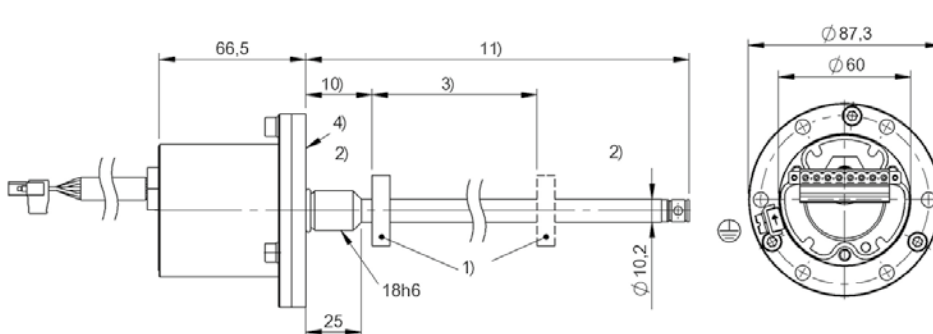
- 1) not included in scope of delivery
- 2) Non-usable area
- 3) Nominal length = Measuring length
- 4) Mounting surface
- 10) Null point
- 11) Installation length

BTL7-T500-Mxxxx-J-DEXE-ZA1K



- 1) not included in scope of delivery
- 2) Non-usable area
- 3) Nominal length = Measuring length
- 4) Mounting surface
- 5) Internal threads M4x4/6 deep
- 10) Null point
- 11) Installation length

BTL7-T500-Mxxxx-J-DEXD-ZA1K



- 1) not included in scope of delivery
- 2) Non-usable area
- 3) Nominal length = Measuring length
- 4) Mounting surface
- 10) Null point
- 11) Installation length



	BTL7 -J-DEXC- SERIES - ANALOG VOLTAGE
Interface	Analog, voltage
Measuring length	25...7620 mm
Repeat accuracy	± 10 µm
Linearity deviation	nxxx = 0050...0500: ± 50 µm, nxxx = 0501...5500: ± 0.01% FS, nxxx > 5500: ± 0.02% FS
Operating voltage Ub	10...30 VDC
Ambient temperature	-40...80 °C
Mechanical configuration	Fastening 18h6 fit
Housing material	—
IP rating	IP68
Approval/Conformity	CE CSA IECEX EAC WEEE
Ex category	ATEX: 1G (EPL Ga), ATEX: 2G (EPL Gb), ATEX: 3G (EPL Gc), ATEX: 1D (EPL Da), ATEX: 2D (EPL Db), ATEX: 3D (EPL Dc), IECEx: EPL Ga, IECEx: EPL Gb, IECEx: EPL Gc, IECEx: EPL Da, IECEx: EPL Db, IECEx: EPL Dc, NEC 500: Class I, Division 1, NEC 500: Class I, Division 2, NEC 500: Class II, Division 1, NEC 500: Class II, Division 2, NEC 500/505: Class III, NEC 505: Class I, Zone 1

BTL7-abcd-Mnnnn-f-ij-lm

j Variant characteristic

C = float plug

BTL7

Magnetostrictive linear position sensor
Generation 7

l + m connection type + connection type characteristic 1

TA12 = Clamp with 1/2"-14 NPT
(cable entry)

a interface

A = Voltage output 0 ... 10 V
G = voltage output -10 ... 10 V

b Operating voltage

5 = 10 ... 30 V

c + d Interface characteristic 1 + 2

01 = 2 outputs, each 1 x rising/falling
settable/programmable
10 = 2 outputs, each 1 x rising/falling

Mnnnn Nominal length (4-position)

M0500 = metric in mm
(M0025...M7620: for rod diameter
10.2 mm)

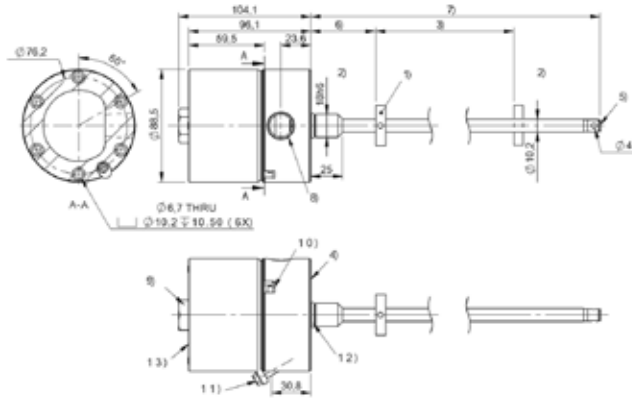
f Style

J = Flange 18h6

i Variant

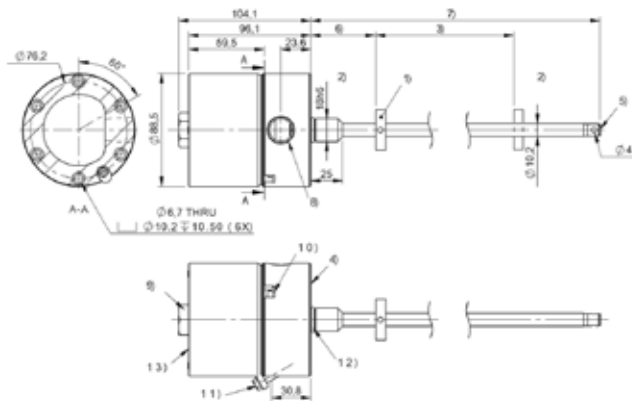
DEX = Ignition protection category „d“ /
pressure-proof encapsulation

BTL7-A501-Mxxxx-J-DEXC-TA12



- 1) not included in scope of delivery
- 2) Non-usable area
- 3) Nominal length = Measuring length
- 4) Mounting surface
- 5) Internal threads M4x4/6 deep
- 6) Null point
- 7) Installation length
- 8) 1/2" - 14 NPT (cable entry)
- 9) 15/16" or 24 mm wrench
- 10) External Housing GND
- 11) Cover fastening screw
- 12) O-ring
- 13) Part label, metal

BTL7-G510-Mxxxx-J-DEXC-TA12



- 1) not included in scope of delivery
- 2) Non-usable area
- 3) Nominal length = Measuring length
- 4) Mounting surface
- 5) Internal threads M4x4/6 deep
- 6) Null point
- 7) Installation length
- 8) 1/2" - 14 NPT (cable entry)
- 9) 15/16" or 24 mm wrench
- 10) External Housing GND
- 11) Cover fastening screw
- 12) O-ring
- 13) Part label, metal



	BTL7 -J-DEXC- SERIES - ANALOG CURRENT
Interface	Analog, current
Measuring length	25...7620 mm
Repeat accuracy	± 5 µm
Linearity deviation	nmm = 0050...0500: ± 50 µm, nmm = 0501...5500: ± 0.01% FS, nmm > 5500: ± 0.02% FS
Operating voltage U_b	10...30 VDC
Ambient temperature	-40...80 °C
Mechanical configuration	Fastening 18h6 fit
Housing material	—
IP rating	IP68
Approval/Conformity	CE CSA IECEX EAC WEEE
Ex category	ATEX: 1G (EPL Ga), ATEX: 2G (EPL Gb), ATEX: 3G (EPL Gc), ATEX: 1D (EPL Da), ATEX: 2D (EPL Db), ATEX: 3D (EPL Dc), IECEX: EPL Ga, IECEX: EPL Gb, IECEX: EPL Gc, IECEX: EPL Da, IECEX: EPL Db, IECEX: EPL Dc, NEC 500: Class I, Division 1, NEC 500: Class I, Division 2, NEC 500: Class II, Division 1, NEC 500: Class II, Division 2, NEC 500/505: Class III, NEC 505: Class I, Zone 1

BTL7-abcd-Mnnnn-f-ij-lm

BTL7

Magnetostrictive linear position sensor
Generation 7

a interface

C = Current output 0 ... 20 mA
E = Current output 4 ... 20 mA

b Operating voltage

5 = 10 ... 30 V

c + d Interface characteristic 1 + 2

01 = 2 outputs, each 1 x rising/falling
settable/programmable
00 = 1 output, rising
70 = 1 output, falling

Mnnnn Nominal length (4-position)

M0500 = metric in mm
(M0025...M7620: for rod diameter
10.2 mm)

f Style

J = Flange 18h6

i Variant

DEX = Ignition protection category „d“ /
pressure-proof encapsulation

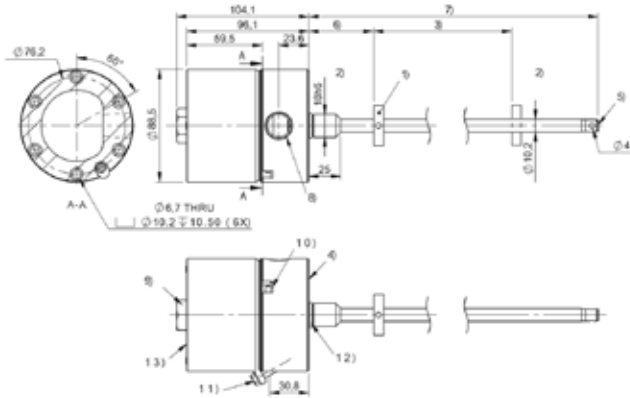
j Variant characteristic

C = float plug

l + m connection type + connection type characteristic 1

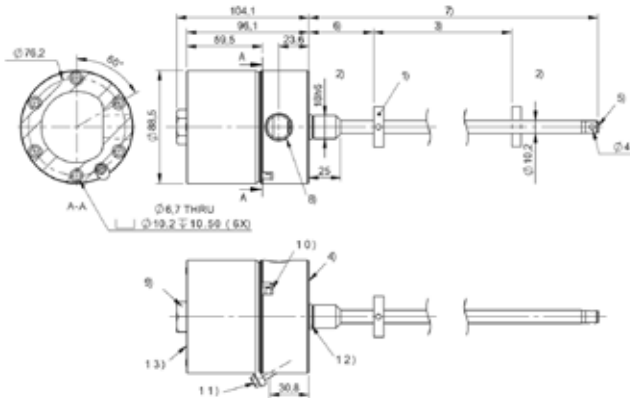
TA12 = Clamp with 1/2“-14 NPT (cable
entry)

BTL7-E501-Mxxxx-J-DEXC-TA12



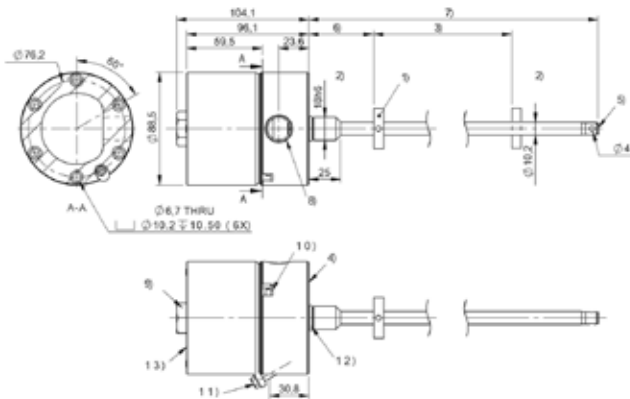
- 1) not included in scope of delivery
- 2) Non-usable area
- 3) Nominal length = Measuring length
- 4) Mounting surface
- 5) Internal threads M4x4/6 deep
- 6) Null point
- 7) Installation length
- 8) 1/2" - 14 NPT (cable entry)
- 9) 15/16" or 24 mm wrench
- 10) External Housing GND
- 11) Cover fastening screw
- 12) O-ring
- 13) Part label, metal

BTL7-E500-Mxxxx-J-DEXC-TA12



- 1) not included in scope of delivery
- 2) Non-usable area
- 3) Nominal length = Measuring length
- 4) Mounting surface
- 5) Internal threads M4x4/6 deep
- 6) Null point
- 7) Installation length
- 8) 1/2" - 14 NPT (cable entry)
- 9) 15/16" or 24 mm wrench
- 10) External Housing GND
- 11) Cover fastening screw
- 12) O-ring
- 13) Part label, metal

BTL7-E570-Mxxxx-J-DEXC-TA12



- 1) not included in scope of delivery
- 2) Non-usable area
- 3) Nominal length = Measuring length
- 4) Mounting surface
- 5) Internal threads M4x4/6 deep
- 6) Null point
- 7) Installation length
- 8) 1/2" - 14 NPT (cable entry)
- 9) 15/16" or 24 mm wrench
- 10) External Housing GND
- 11) Cover fastening screw
- 12) O-ring
- 13) Part label, metal



	BTL7 -J-DEXC- SERIES - DIGITAL
Interface	Digital pulse
Measuring length	25...7620 mm
Repeat accuracy	≤ ± 5 µm
Linearity deviation	nmm = 0025...5500: ± 50 µm, nmm > 5500: ± 0.02% FS
Operating voltage Ub	10...30 VDC
Ambient temperature	-40...80 °C
Mechanical configuration	Fastening 18h6 fit
Housing material	—
IP rating	IP68
Approval/Conformity	CE CSA IECEX EAC WEEE
Ex category	ATEX: 1G (EPL Ga), ATEX: 2G (EPL Gb), ATEX: 3G (EPL Gc), ATEX: 1D (EPL Da), ATEX: 2D (EPL Db), ATEX: 3D (EPL Dc), IECEX: EPL Ga, IECEX: EPL Gb, IECEX: EPL Gc, IECEX: EPL Da, IECEX: EPL Db, IECEX: EPL Dc, NEC 500: Class I, Division 1, NEC 500: Class I, Division 2, NEC 500: Class II, Division 1, NEC 500: Class II, Division 2, NEC 500/505: Class III, NEC 505: Class I, Zone 1

BTL7-abcd-Mnnnn-f-ij-lm

f Style
J = Flange 18h6

BTL7
Magnetostrictive linear position sensor
Generation 7

i Variant
DEX = Ignition protection category „d“ /
pressure-proof encapsulation

a interface
P = Digital pulse interface

j Variant characteristic
C = float plug

b Operating voltage
5 = 10 ... 30 V

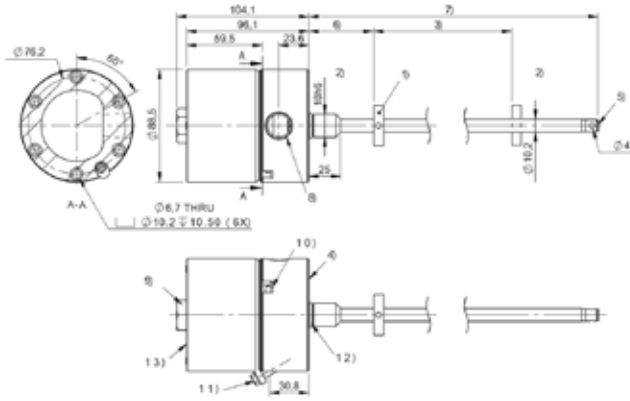
**l + m connection type + connection
type characteristic 1**
TA12 = Clamp with 1/2"-14 NPT
(cable entry)

c Interface characteristic 1
1 = Digital start/stop interface

d Interface characteristic 2
1 = DPI/IP communication interface

Mnnnn Nominal length (4-position)
M0500 = metric in mm
(M0025...M7620: for rod diameter
10.2 mm)

BTL7-P511-Mxxxx-J-DEXC-TA12



- 1) not included in scope of delivery
- 2) Non-usable area
- 3) Nominal length = Measuring length
- 4) Mounting surface
- 5) Internal threads M4x4/6 deep
- 6) Null point
- 7) Installation length
- 8) 1/2" - 14 NPT (cable entry)
- 9) 15/16" or 24 mm wrench
- 10) External Housing GND
- 11) Cover fastening screw
- 12) O-ring
- 13) Part label, metal



	BTL7 -J-DEXC- SERIES - SSI
Interface	SSI
Measuring length	25...7620 mm
Repeat accuracy	$\leq \pm 5 \mu\text{m}$
Linearity deviation	d = 1, 2, 3, 7: nnnn = 50...5500: $\pm 30\mu\text{m}$ d = 4, 5, 6, 8 nnnn = 50...5500: $\pm 2 \text{ LSB}$ nnnn > 5500: $\pm 0.02\% \text{ FS}$
Operating voltage U_b	10...30 VDC
Ambient temperature	-40...80 °C
Mechanical configuration	Fastening 18h6 fit
Housing material	—
IP rating	IP68
Approval/Conformity	CE CSA IECEX EAC WEEE
Ex category	ATEX: 1G (EPL Ga), ATEX: 2G (EPL Gb), ATEX: 3G (EPL Gc), ATEX: 1D (EPL Da), ATEX: 2D (EPL Db), ATEX: 3D (EPL Dc), IECEX: EPL Ga, IECEX: EPL Gb, IECEX: EPL Gc, IECEX: EPL Da, IECEX: EPL Db, IECEX: EPL Dc, NEC 500: Class I, Division 1, NEC 500: Class I, Division 2, NEC 500: Class II, Division 1, NEC 500: Class II, Division 2, NEC 500/505: Class III, NEC 505: Class I, Zone 1

BTL7-abcde-Mnnnn-f-ij-lm

BTL7

Magnetostrictive linear position sensor
Generation 7

a interface

S = SSI

b Operating voltage

5 = 10 ... 30 V

c Interface characteristic 1

0 = 24 bits, binary, rising
1 = 24 bits, gray, rising
2 = 24 bits, binary, falling
3 = 24 bits, gray, falling
6 = 25 bits, binary, rising
7 = 25 bits, gray, rising
8 = 25 bits, binary, falling
9 = 25 bits, gray, falling
A = 26 bits, binary, rising
B = 26 bits, gray, rising
C = 26 bits, binary, falling
D = 26 bits, gray, falling

d Interface characteristic 2

1 = 1 μm
2 = 5 μm
3 = 10 μm
4 = 20 μm
5 = 40 μm
6 = 100 μm
7 = 2 μm
8 = 50 μm

e Interface characteristic 3

B = Synchronous mode
- = Asynchronous mode

Mnnnn Nominal length (4-position)

M0500 = metric in mm
(M0025...M7620: for rod diameter
10.2 mm)

f Style

J = Flange 18h6

i Variant

DEX = Ignition protection category „d“ /
pressure-proof encapsulation

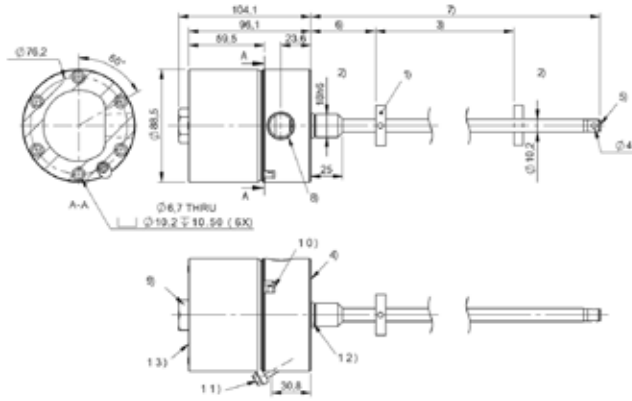
j Variant characteristic

C = float plug

l + m connection type + connection type characteristic 1

TA12 = Clamp with 1/2“-14 NPT
(cable entry)

BTL7-S5xxx-Mxxxx-J-DEXC-TA12



- 1) not included in scope of delivery
- 2) Non-usable area
- 3) Nominal length = Measuring length
- 4) Mounting surface
- 5) Internal threads M4x4/6 deep
- 6) Null point
- 7) Installation length
- 8) 1/2" - 14 NPT (cable entry)
- 9) 15/16" or 24 mm wrench
- 10) External Housing GND
- 11) Cover fastening screw
- 12) O-ring
- 13) Part label, metal



BTL7 -B-NEX- SERIES - ANALOG VOLTAGE	
Interface	Analog, voltage
Measuring length	25...5500 mm
Repeat accuracy	± 10 µm
Linearity deviation	nmm = 0050...0500: ± 50 µm, nmm = 0501...5500: ± 0.01% FS
Operating voltage Ub	10...30 VDC
Ambient temperature	-40...60 °C
Mechanical configuration	Fastening M18 threads
Housing material	Aluminum, Anodized
IP rating	I = S: IP67 with connector I = KA: IP68
Approval/Conformity	CE CSA IECEX EAC WEEE
Ex category	ATEX: 3G (EPL Gc), ATEX: 2D (EPL Db), ATEX: 3D (EPL Dc), IECEX: EPL Gc, IECEX: EPL Db, IECEX: EPL Dc

BTL7-abcd-Mnnnn-fg-i-lm

BTL7

Magnetostrictive linear position sensor
Generation 7

a interface

A = Voltage output 0 ... 10 V
G = voltage output -10 ... 10 V

b Operating voltage

5 = 10 ... 30 V

c + d Interface characteristic 1 + 2

01 = 2 outputs, each 1 x rising/falling
settable/programmable
10 = 2 outputs, each 1 x rising/falling

Mnnnn Nominal length (4-position)

M0500 = metric in mm
(M0025...M1016: for rod diameter
8 mm)
(M0025...M5500: for rod diameter
10.2 mm)

f Style

A = Mounting threads M18x1.5,
for flat seal
B = Mounting threads M18x1.5, for
O-Ring

g Form factor characteristic

8 = Rod diameter 8 mm
- = Rod diameter 10.2 mm

i Variant

NEX = Ignition class „nA“ and „tb“

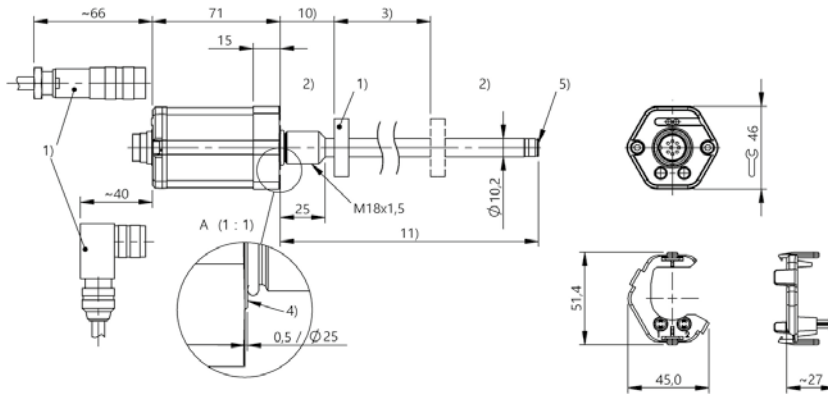
l Connection type

S = Connector
KA = Cable (PUR)

m Connection type characteristic 1

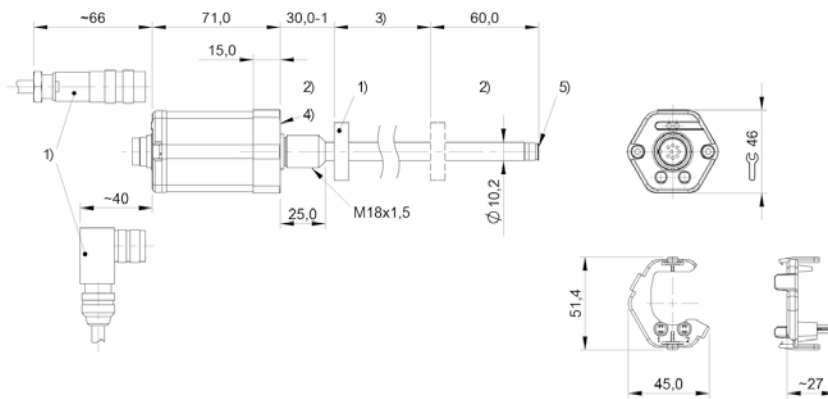
for connector:
32 = M16x0.75 connector with 8 pins
for cable (length in meters):
02, 05, 10, 15, 20, 30

BTL7-A501-Mxxxx-B-NEX-S32



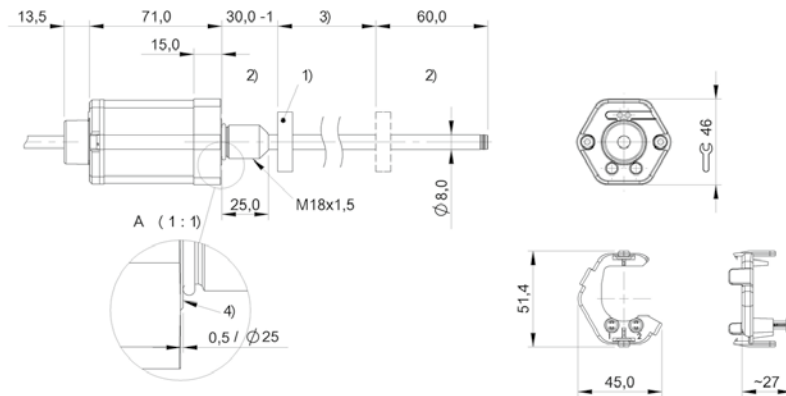
- 1) not included in scope of delivery
- 2) Non-usable area
- 3) Nominal length = Measuring length
- 4) Mounting surface
- 5) Internal threads M4x4/6 deep
- 10) Null point
- 11) Installation length

BTL7-G510-Mxxxx-A-NEX-S32



- 1) not included in scope of delivery
- 2) Non-usable area
- 3) Nominal length = Measuring length
- 4) Mounting surface
- 5) Internal threads M4x4/6 deep

BTL7-A510-Mxxxx-B8-NEX-KAxx



- 1) not included in scope of delivery
- 2) Non-usable area
- 3) Nominal length = Measuring length
- 4) Mounting surface



BTL7 -B-NEX- SERIES - ANALOG CURRENT	
Interface	Analog, current
Measuring length	25...5500 mm
Repeat accuracy	± 5 µm
Linearity deviation	nmm = 0050...0500: ± 50 µm, nmm = 0501...5500: ± 0.01% FS
Operating voltage Ub	10...30 VDC
Ambient temperature	-40...60 °C
Mechanical configuration	Fastening M18 threads
Housing material	Aluminum, Anodized
IP rating	I = S: IP67 with connector I = KA: IP68
Approval/Conformity	CE CSA IECEX EAC WEEE
Ex category	ATEX: 3G (EPL Gc), ATEX: 2D (EPL Db), ATEX: 3D (EPL Dc), IECEX: EPL Gc, IECEX: EPL Db, IECEX: EPL Dc

BTL7-abcd-Mnnnn-fg-i-lm

BTL7

Magnetostrictive linear position sensor
Generation 7

a interface

C = Current output 0 ... 20 mA
E = Current output 4 ... 20 mA

b Operating voltage

5 = 10 ... 30 V

c + d Interface characteristic 1 + 2

01 = 2 outputs, each 1 x rising/falling
settable/programmable
00 = 1 output, rising
70 = 1 output, falling

Mnnnn Nominal length (4-position)

M0500 = metric in mm
(M0025...M1016: for rod diameter
8 mm)
(M0025...M5500: for rod diameter
10.2 mm)

f Style

A = Mounting threads M18x1.5,
for flat seal
B = Mounting threads M18x1.5,
for O-Ring

g Form factor characteristic

8 = Rod diameter 8 mm
- = Rod diameter 10.2 mm

i Variant

NEX = Ignition class „nA“ and „tb“

l Connection type

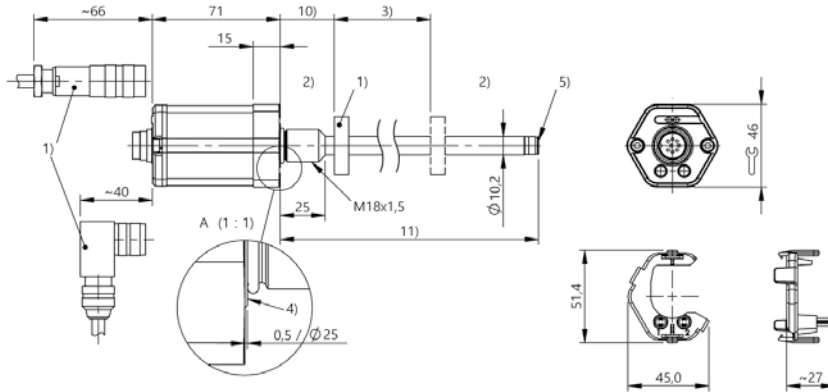
S = Connector
KA = Cable (PUR)

m Connection type characteristic 1

for connector:
32 = M16x0.75 connector with 8 pins

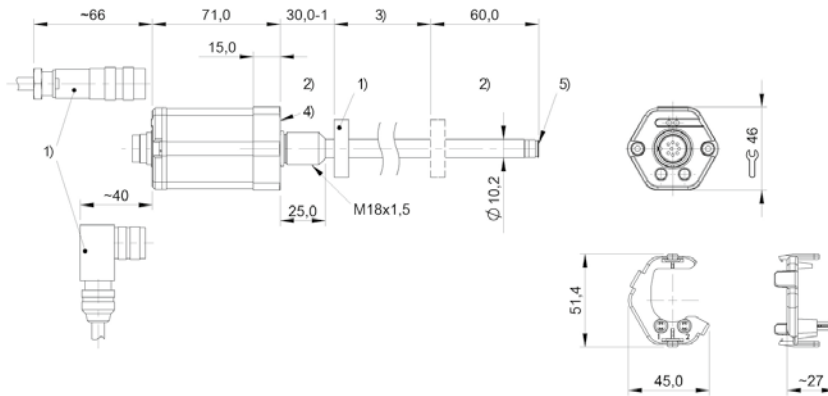
for cable (length in meters):
02, 05, 10, 15, 20, 50, 100

BTL7-E501-Mxxxx-B-NEX-S32



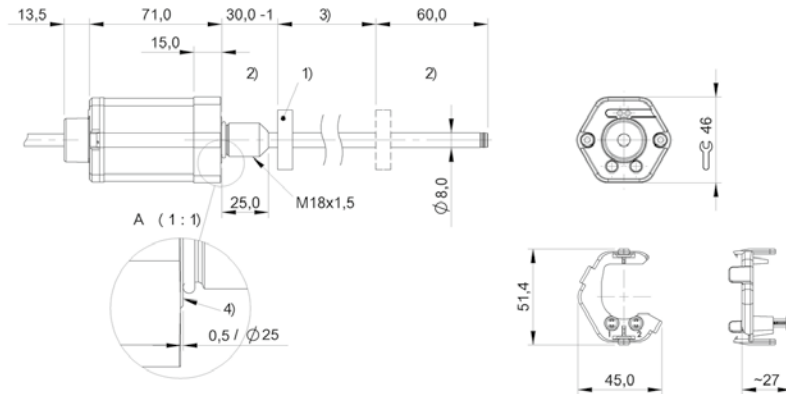
- 1) not included in scope of delivery
- 2) Non-usable area
- 3) Nominal length = Measuring length
- 4) Mounting surface
- 5) Internal threads M4x4/6 deep
- 10) Null point
- 11) Installation length

BTL7-C500-Mxxxx-A-NEX-S32



- 1) not included in scope of delivery
- 2) Non-usable area
- 3) Nominal length = Measuring length
- 4) Mounting surface
- 5) Internal threads M4x4/6 deep

BTL7-E570-Mxxxx-B8-NEX-KAxx



- 1) not included in scope of delivery
- 2) Non-usable area
- 3) Nominal length = Measuring length
- 4) Mounting surface



	BTL7 -B-NEX- SERIES - DIGITAL
Interface	Digital pulse
Measuring length	25...5500 mm
Repeat accuracy	$\leq \pm 5 \mu\text{m}$
Linearity deviation	$\pm 50 \mu\text{m}$
Operating voltage U_b	10...30 VDC
Ambient temperature	-40...60 °C
Mechanical configuration	Fastening M18 threads
Housing material	Aluminum, Anodized
IP rating	I = S: IP67 with connector I = KA: IP68
Approval/Conformity	CE CSA IECEX EAC WEEE
Ex category	ATEX: 3G (EPL Gc), ATEX: 2D (EPL Db), ATEX: 3D (EPL Dc), IECEX: EPL Gc, IECEX: EPL Db, IECEX: EPL Dc

BTL7-abcd-Mnnnn-fg-i-lm

BTL7

Magnetostrictive linear position sensor
Generation 7

a Interface

P = Digital pulse interface

b Operating voltage

5 = 10 ... 30 V

c Interface characteristic 1

1 = Digital start/stop interface

d Interface characteristic 2

1 = DPI/IP communication interface

Mnnnn Nominal length (4-position)

M0500 = metric in mm
(M0025...M1016: for rod diameter
8 mm)
(M0025...M5500: for rod diameter
10.2 mm)

f Style

A = Mounting threads M18x1.5,
for flat seal
B = Mounting threads M18x1.5,
for O-Ring

g Form factor characteristic

8 = Rod diameter 8 mm
- = Rod diameter 10.2 mm

i Variant

NEX = Ignition class „nA“ and „tb“

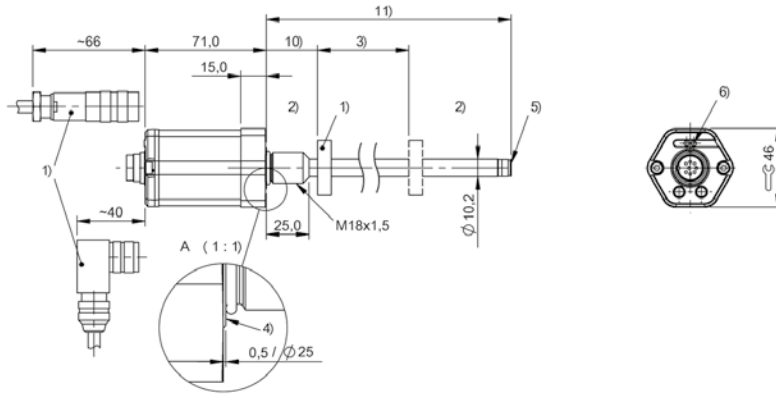
l Connection type

S = Connector
KA = Cable (PUR)

m Connection type characteristic 1

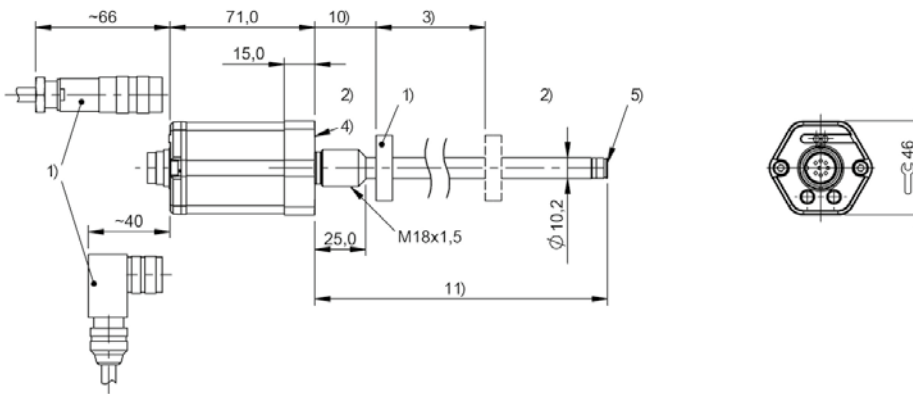
for connector:
32 = M16x0.75 connector with 8 pins
for cable (length in meters):
02, 05, 10, 15, 20, 50, 100

BTL7-P511-Mxxxx-B-NEX-S32



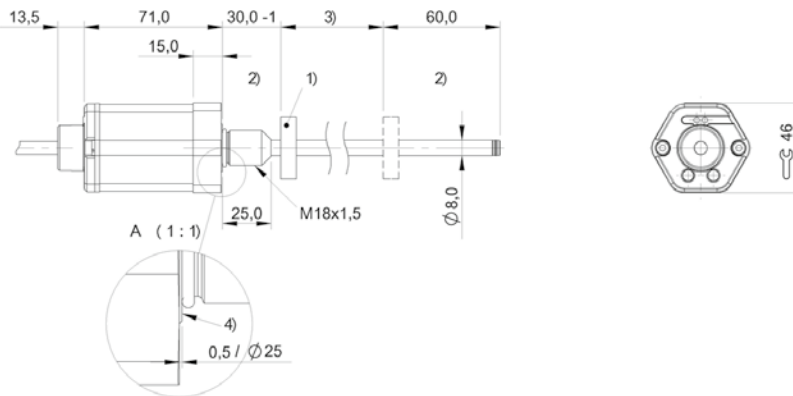
- 1) not included in scope of delivery
- 2) Non-usable area
- 3) Nominal length = Measuring length
- 4) Mounting surface
- 5) Internal threads M4x4/6 deep
- 6) LED function indicator
- 10) Null point
- 11) Installation length

BTL7-P511-Mxxxx-A-NEX-S32



- 1) not included in scope of delivery
- 2) Non-usable area
- 3) Nominal length = Measuring length
- 4) Mounting surface
- 5) Internal threads M4x4/6 deep
- 10) Null point
- 11) Installation length

BTL7-P511-Mxxxx-B8-NEX-KAxx



- 1) not included in scope of delivery
- 2) Non-usable area
- 3) Nominal length = Measuring length
- 4) Mounting surface



	BTL7 -B-NEX- SERIES - SSI
Interface	SSI
Measuring length	25...5500 mm
Repeat accuracy	$\leq \pm 5 \mu\text{m}$
Linearity deviation	d = 1, 2, 3, 7: $\pm 30\mu\text{m}$, d = 4, 5, 6, 8: $\pm 2 \text{ LSB}$
Operating voltage U_b	10...30 VDC
Ambient temperature	-40...60 °C
Mechanical configuration	Fastening M18 threads
Housing material	Aluminum, Anodized
IP rating	I = S: IP67 with connector I = KA: IP68
Approval/Conformity	CE CSA IECEX EAC WEEE
Ex category	ATEX: 3G (EPL Gc), ATEX: 2D (EPL Db), ATEX: 3D (EPL Dc), IECEX: EPL Gc, IECEX: EPL Db, IECEX: EPL Dc

BTL7-abcde-Mnnnn-fg-i-lm

BTL7

Magnetostrictive linear position sensor
Generation 7

a interface

S = SSI

b Operating voltage

5 = 10 ... 30 V

c Interface characteristic 1

0 = 24 bits, binary, rising
1 = 24 bits, gray, rising
2 = 24 bits, binary, falling
3 = 24 bits, gray, falling
6 = 25 bits, binary, rising
7 = 25 bits, gray, rising
8 = 25 bits, binary, falling
9 = 25 bits, gray, falling
A = 26 bits, binary, rising
B = 26 bits, gray, rising
C = 26 bits, binary, falling
D = 26 bits, gray, falling

d Interface characteristic 2

1 = 1 μm
2 = 5 μm
3 = 10 μm
4 = 20 μm
5 = 40 μm
6 = 100 μm
7 = 2 μm
8 = 50 μm

e Interface characteristic 3

B = Synchronous mode
- = Asynchronous mode

Mnnnn Nominal length (4-position)

M0500 = metric in mm
(M0025...M1016: for rod diameter
8 mm)
(M0025...M5500: for rod diameter
10.2 mm)

f Style

A = Mounting threads M18x1.5,
for flat seal
B = Mounting threads M18x1.5,
for O-Ring

g Form factor characteristic

8 = Rod diameter 8 mm
- = Rod diameter 10.2 mm

i Variant

NEX = Ignition class „nA“ and „tb“

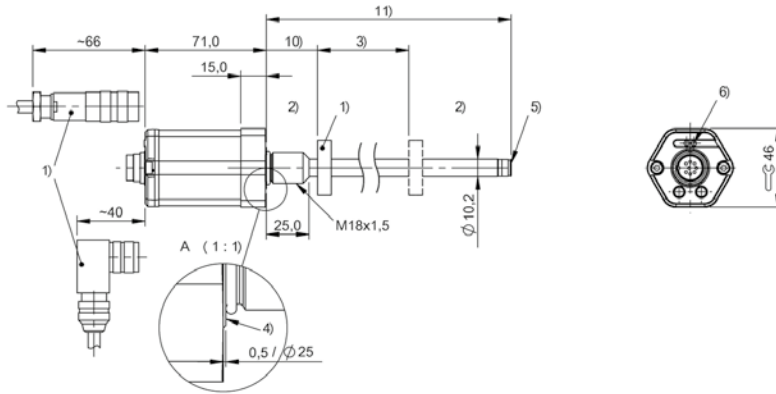
l Connection type

S = Connector
KA = Cable (PUR)

m Connection type characteristic 1

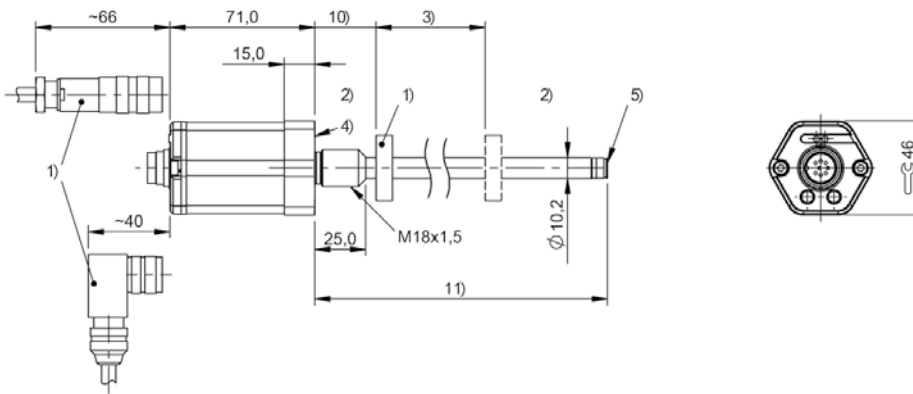
for connector:
32 = M16x0.75 connector with 8 pins
for cable (length in meters):
02, 05, 10, 15, 20, 50, 100

BTL7-S510x-Mxxxx-B-NEX-S32



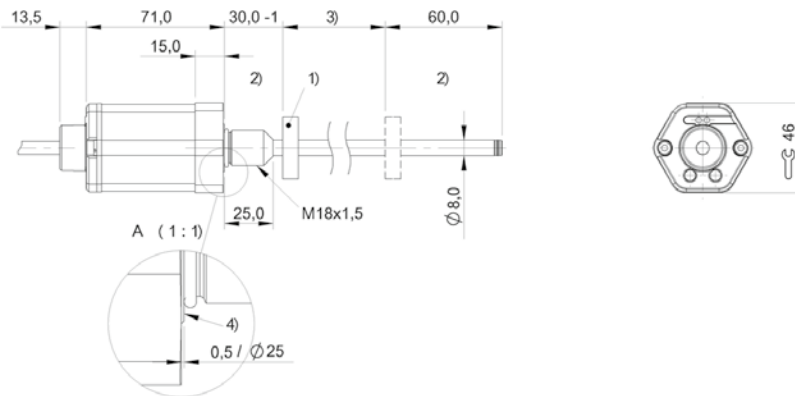
- 1) not included in scope of delivery
- 2) Non-usable area
- 3) Nominal length = Measuring length
- 4) Mounting surface
- 5) Internal threads M4x4/6 deep
- 6) LED function indicator
- 10) Null point
- 11) Installation length

BTL7-S5xxx-Mxxxx-A-NEX-S32



- 1) not included in scope of delivery
- 2) Non-usable area
- 3) Nominal length = Measuring length
- 4) Mounting surface
- 5) Internal threads M4x4/6 deep
- 10) Null point
- 11) Installation length

BTL7-S5xxx-Mxxxx-B8-NEX-KAxx



- 1) not included in scope of delivery
- 2) Non-usable area
- 3) Nominal length = Measuring length
- 4) Mounting surface



	BTL7 -Z-NEX- SERIES - ANALOG VOLTAGE
Interface	Analog, voltage
Measuring length	25...5500 mm
Repeat accuracy	± 10 µm
Linearity deviation	nmm = 0050...0500: ± 50 µm, nmm = 0501...5500: ± 0.01% FS
Operating voltage Ub	10...30 VDC
Ambient temperature	-40...60 °C
Mechanical configuration	Fastening 3/4" threads
Housing material	Aluminum, Anodized
IP rating	I = S: IP67 with connector I = KA: IP68
Approval/Conformity	CE CSA IECEX EAC WEEE
Ex category	ATEX: 3G (EPL Gc), ATEX: 2D (EPL Db), ATEX: 3D (EPL Dc), IECEX: EPL Gc, IECEX: EPL Db, IECEX: EPL Dc

BTL7-abcd-Mnnnn-fg-i-lm

BTL7

Magnetostrictive linear position sensor
Generation 7

a interface

A = Voltage output 0 ... 10 V
G = voltage output -10 ... 10 V

b Operating voltage

5 = 10 ... 30 V

c + d Interface characteristic 1 + 2

01 = 2 outputs, each 1 x rising/falling
settable/programmable
10 = 2 outputs, 1x each rising/falling

Mnnnn Nominal length (4-position)

M0500 = metric in mm
(M0025...M1016: for rod diameter
8 mm)
(M0025...M5500: for rod diameter
10.2 mm)

f Style

Y = Inch threads 3/4"-16UNF,
for flat seal
Z = Inch threads 3/4"-16UNF, f
or O-Ring

g Form factor characteristic

8 = Rod diameter 8 mm
- = Rod diameter 10.2 mm

i Variant

NEX = Ignition class „nA“ and „tb“

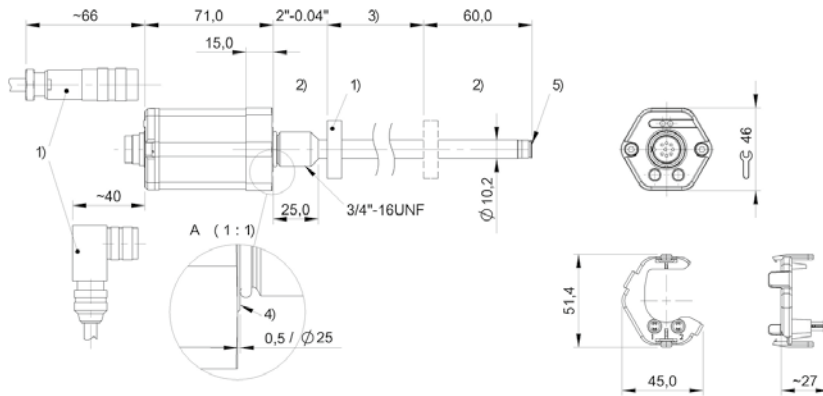
l Connection type

S = Connector
KA = Cable (PUR)

m Connection type characteristic 1

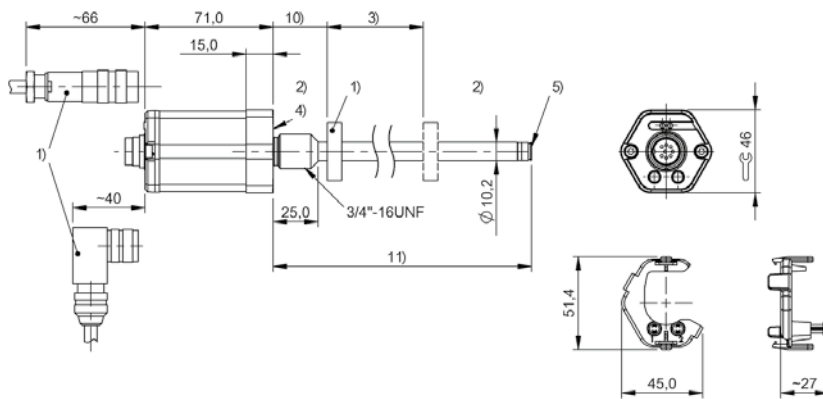
for connector:
32 = M16x0.75 connector with 8 pins
for cable (length in meters):
02, 05, 10, 15, 20, 30

BTL7-A501-Mxxxx-Z-NEX-S32



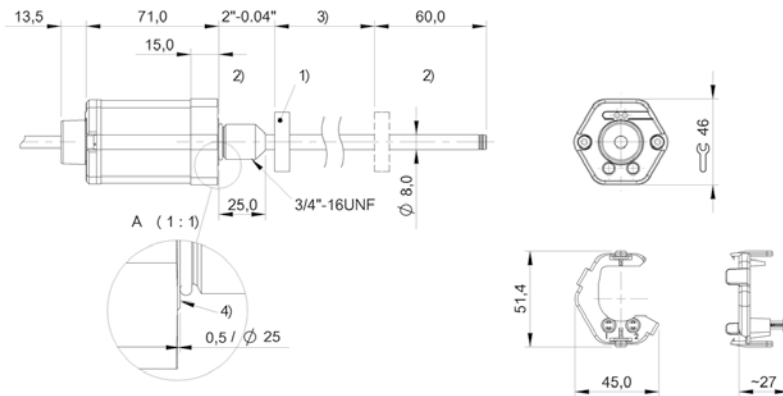
- 1) not included in scope of delivery
- 2) Non-usable area
- 3) Nominal length = Measuring length
- 4) Mounting surface
- 5) Internal threads M4x4/6 deep

BTL7-G510-Mxxxx-Y-NEX-S32



- 1) not included in scope of delivery
- 2) Non-usable area
- 3) Nominal length = Measuring length
- 4) Mounting surface
- 5) Internal threads M4x4/6 deep

BTL7-A510-Mxxxx-Z8-NEX-KAxx



- 1) not included in scope of delivery
- 2) Non-usable area
- 3) Nominal length = Measuring length
- 4) Mounting surface



	BTL7 -Z-NEX- SERIES - ANALOG CURRENT
Interface	Analog, current
Measuring length	25...5500 mm
Repeat accuracy	± 5 µm
Linearity deviation	nmm = 0050...0500: ± 50 µm, nmm = 0501...5500: ± 0.01% FS
Operating voltage Ub	10...30 VDC
Ambient temperature	-40...60 °C
Mechanical configuration	Fastening 3/4" threads
Housing material	Aluminum, Anodized
IP rating	I = S: IP67 with connector I = KA: IP68
Approval/Conformity	CE CSA IECEX EAC WEEE
Ex category	ATEX: 3G (EPL Gc), ATEX: 2D (EPL Db), ATEX: 3D (EPL Dc), IECEX: EPL Gc, IECEX: EPL Db, IECEX: EPL Dc

BTL7-abcd-Mnnnn-fg-i-lm

BTL7

Magnetostrictive linear position sensor
Generation 7

a interface

C = Current output 0 ... 20 mA
E = Current output 4 ... 20 mA

b Operating voltage

5 = 10 ... 30 V

c + d Interface characteristic 1 + 2

01 = 2 outputs, 1x each rising/falling
settable/programmable
00 = 1 output, rising
70 = 1 output, falling

Mnnnn Nominal length (4-position)

M0500 = metric in mm
(M0025...M1016: for rod diameter
8 mm)
(M0025...M5500: for rod diameter
10.2 mm)

f Style

Y = Inch threads 3/4"-16UNF,
for flat seal
Z = Inch threads 3/4"-16UNF,
for O-Ring

g Form factor characteristic

8 = Rod diameter 8 mm
- = Rod diameter 10.2 mm

i Variant

NEX = Ignition class „nA“ and „tb“

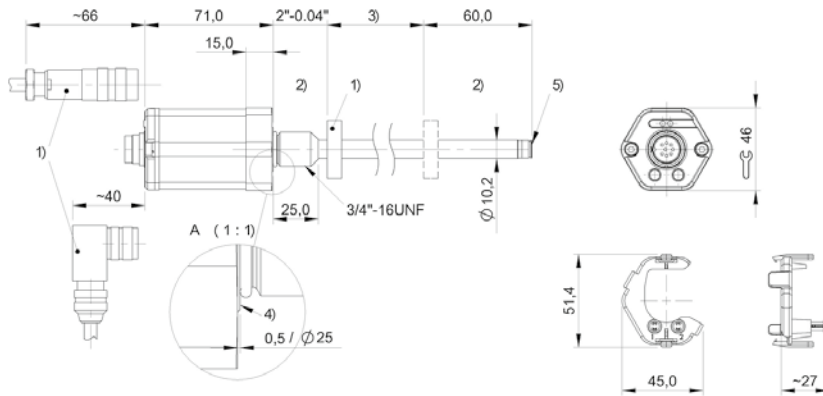
l Connection type

S = Connector
KA = Cable (PUR)

m Connection type characteristic 1

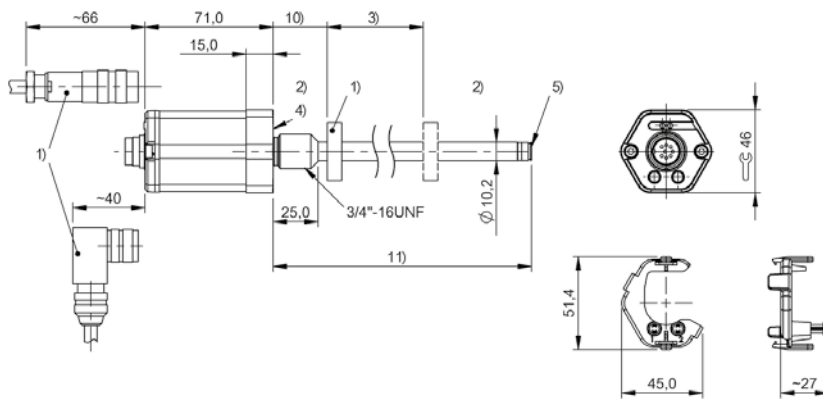
for connector:
32 = M16x0.75 connector with 8 pins
for cable (length in meters):
02, 05, 10, 15, 20, 50, 100

BTL7-E501-Mxxxx-Z-NEX-S32



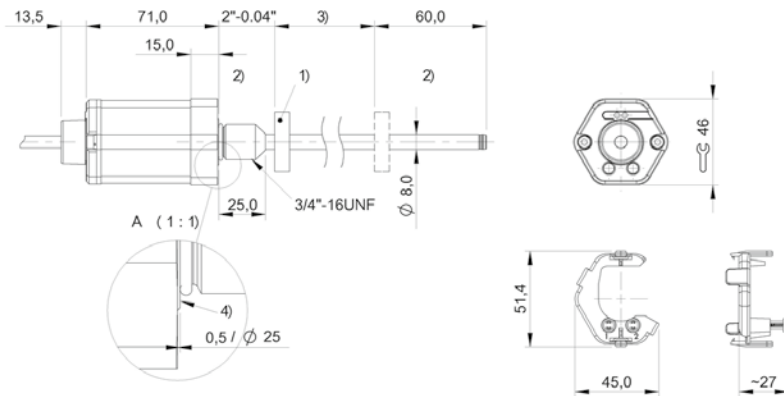
- 1) not included in scope of delivery
- 2) Non-usable area
- 3) Nominal length = Measuring length
- 4) Mounting surface
- 5) Internal threads M4x4/6 deep

BTL7-C500-Mxxxx-Y-NEX-S32



- 1) not included in scope of delivery
- 2) Non-usable area
- 3) Nominal length = Measuring length
- 4) Mounting surface
- 5) Internal threads M4x4/6 deep

BTL7-E570-Mxxxx-Z8-NEX-KAxx



- 1) not included in scope of delivery
- 2) Non-usable area
- 3) Nominal length = Measuring length
- 4) Mounting surface



	BTL7 -Z-NEX- SERIES - DIGITAL
Interface	Digital pulse
Measuring length	25...5500 mm
Repeat accuracy	$\leq \pm 5 \mu\text{m}$
Linearity deviation	$\pm 50 \mu\text{m}$
Operating voltage U_b	10...30 VDC
Ambient temperature	-40...60 °C
Mechanical configuration	Fastening 3/4" threads
Housing material	Aluminum, Anodized
IP rating	I = S: IP67 with connector I = KA: IP68
Approval/Conformity	CE CSA IECEX EAC WEEE
Ex category	ATEX: 3G (EPL Gc), ATEX: 2D (EPL Db), ATEX: 3D (EPL Dc), IECEX: EPL Gc, IECEX: EPL Db, IECEX: EPL Dc

BTL7-abcd-Mnnnn-fg-i-lm

BTL7

Magnetostrictive linear position sensor
Generation 7

a interface

P = Digital pulse interface

b Operating voltage

5 = 10 ... 30 V

c Interface characteristic 1

1 = Digital start/stop interface

d Interface characteristic 2

1 = DPI/IP communication interface

Mnnnn Nominal length (4-position)

M0500 = metric in mm
(M0025...M1016: for rod diameter
8 mm)
(M0025...M5500: for rod diameter
10.2 mm)

f Style

Y = Inch threads 3/4"-16UNF,
for flat seal
Z = Inch threads 3/4"-16UNF,
for O-Ring

g Form factor characteristic

8 = Rod diameter 8 mm
- = Rod diameter 10.2 mm

i Variant

NEX = Ignition class „nA“ and „tb“

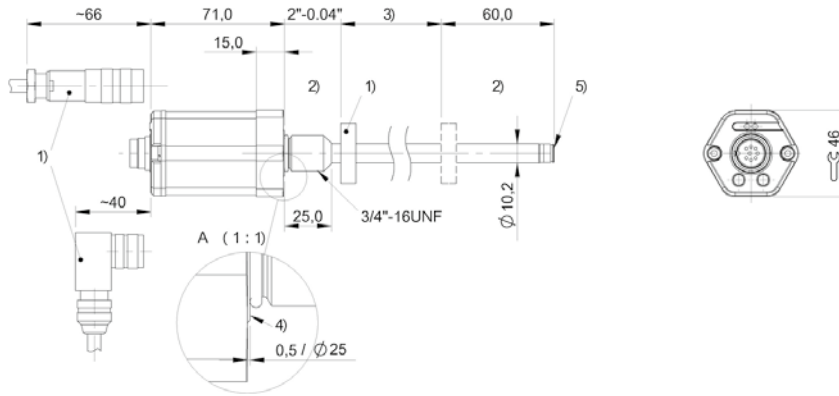
l Connection type

S = Connector
KA = Cable (PUR)

m Connection type characteristic 1

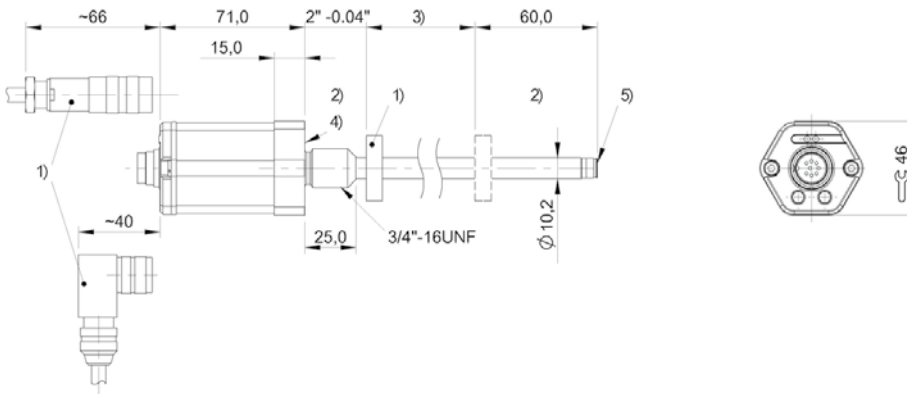
for connector:
32 = M16x0.75 connector with 8 pins
for cable (length in meters):
02, 05, 10, 15, 20, 50, 100

BTL7-P511-Mxxxx-Z-NEX-S32



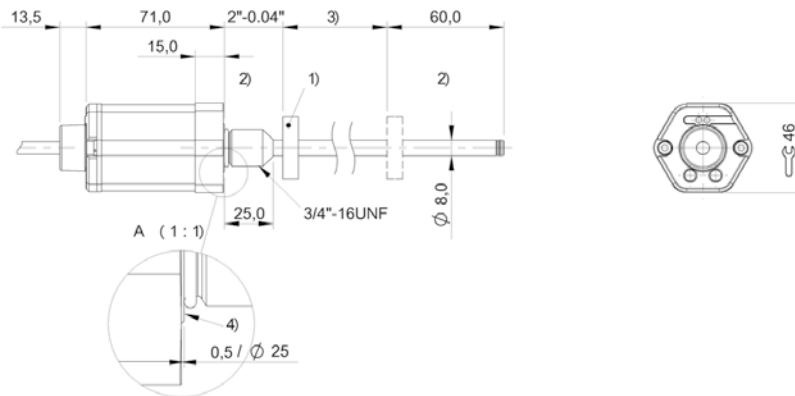
- 1) not included in scope of delivery
- 2) Non-usable area
- 3) Nominal length = Measuring length
- 4) Mounting surface
- 5) Internal threads M4x4/6 deep

BTL7-P511-Mxxxx-Y-NEX-S32



- 1) not included in scope of delivery
- 2) Non-usable area
- 3) Nominal length = Measuring length
- 4) Mounting surface
- 5) Internal threads M4x4/6 deep

BTL7-P511-Mxxxx-Z8-NEX-KAxx



- 1) not included in scope of delivery
- 2) Non-usable area
- 3) Nominal length = Measuring length
- 4) Mounting surface



	BTL7 -Z-NEX- SERIES - SSI
Interface	SSI
Measuring length	25...5500 mm
Repeat accuracy	$\leq \pm 5 \mu\text{m}$
Linearity deviation	d = 1, 2, 3, 7: $\pm 30\mu\text{m}$, d = 4, 5, 6, 8: $\pm 2 \text{ LSB}$
Operating voltage U_b	10...30 VDC
Ambient temperature	-40...60 °C
Mechanical configuration	Fastening 3/4" threads
Housing material	Aluminum, Anodized
IP rating	I = S: IP67 with connector I = KA: IP68
Approval/Conformity	CE CSA IECEX EAC WEEE
Ex category	ATEX: 3G (EPL Gc), ATEX: 2D (EPL Db), ATEX: 3D (EPL Dc), IECEX: EPL Gc, IECEX: EPL Db, IECEX: EPL Dc

BTL7-abcde-Mnnnn-fg-i-lm

BTL7

Magnetostrictive linear position sensor
Generation 7

a interface

S = SSI

b Operating voltage

5 = 10 ... 30 V

c Interface characteristic 1

0 = 24 bits, binary, rising
1 = 24 bits, gray, rising
2 = 24 bits, binary, falling
3 = 24 bits, gray, falling
6 = 25 bits, binary, rising
7 = 25 bits, gray, rising
8 = 25 bits, binary, falling
9 = 25 bits, gray, falling
A = 26 bits, binary, rising
B = 26 bits, gray, rising
C = 26 bits, binary, falling
D = 26 bits, gray, falling

d Interface characteristic 2

1 = 1 μm
2 = 5 μm
3 = 10 μm
4 = 20 μm
5 = 40 μm
6 = 100 μm
7 = 2 μm
8 = 50 μm

e Interface characteristic 3

B = Synchronous mode
- = Asynchronous mode

Mnnnn Nominal length (4-position)

M0500 = metric in mm
(M0025...M1016: for rod diameter
8 mm)
(M0025...M5500: for rod diameter
10.2 mm)

f Style

Y = Inch threads 3/4"-16UNF,
for flat seal
Z = Inch threads 3/4"-16UNF,
for O-Ring

g Form factor characteristic

8 = Rod diameter 8 mm
- = Rod diameter 10.2 mm

i Variant

NEX = Ignition class „nA“ and „tb“

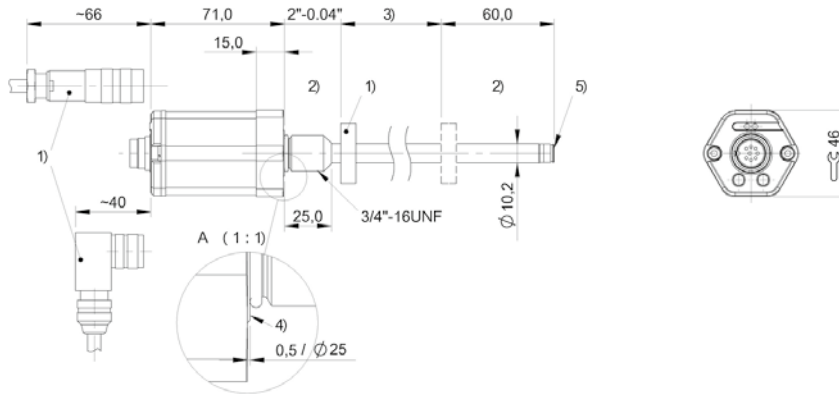
l Connection type

S = Connector
KA = Cable (PUR)

m Connection type characteristic 1

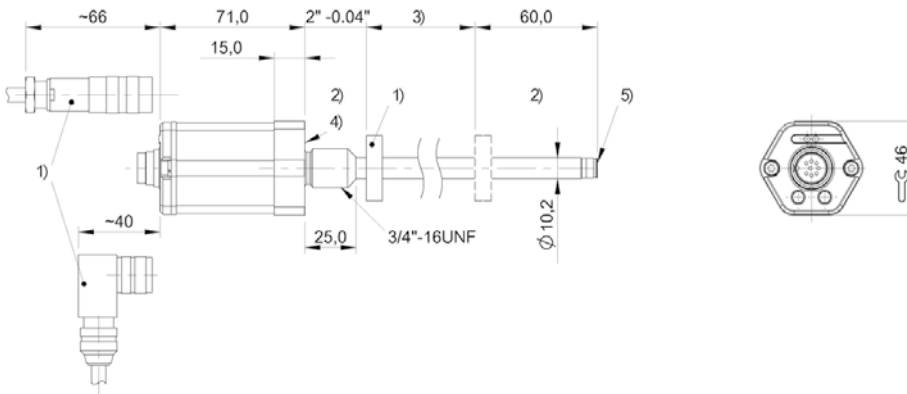
for connector:
32 = M16x0.75 connector with 8 pins
for cable (length in meters):
02, 05, 10, 15, 20, 50, 100

BTL7-S510x-Mxxxx-Z-NEX-S32



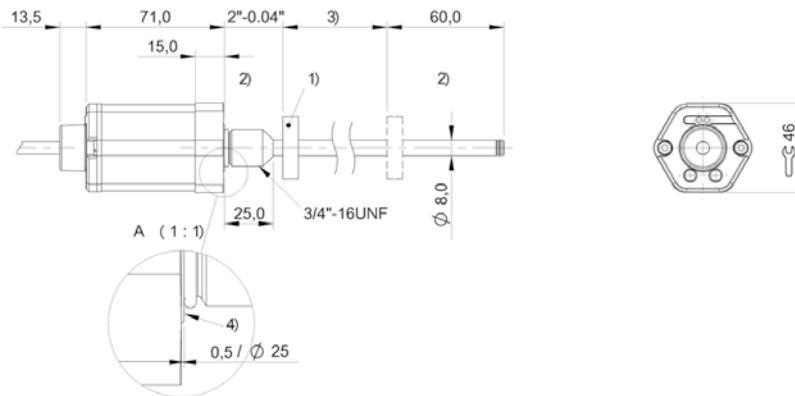
- 1) not included in scope of delivery
- 2) Non-usable area
- 3) Nominal length = Measuring length
- 4) Mounting surface
- 5) Internal threads M4x4/6 deep

BTL7-S5xxx-Mxxxx-Y-NEX-S32



- 1) not included in scope of delivery
- 2) Non-usable area
- 3) Nominal length = Measuring length
- 4) Mounting surface
- 5) Internal threads M4x4/6 deep

BTL7-S5xxx-Mxxxx-Z8-NEX-KAxx



- 1) not included in scope of delivery
- 2) Non-usable area
- 3) Nominal length = Measuring length
- 4) Mounting surface



BTL7 -CD-NEX- SERIES - ANALOG CURRENT	
Interface	Analog, current
Measuring length	25...2000 mm
Repeat accuracy	± 5 µm
Linearity deviation	nmm = 0050...0500: ± 50 µm, nmm = 0501...2000: ± 0.01% FS
Operating voltage Ub	10...30 VDC
Ambient temperature	-40...60 °C
Mechanical configuration	Fastening M22 threads
Housing material	Aluminum, Anodized
IP rating	I = S: IP67 with connector I = KA: IP68
Approval/Conformity	CE CSA IECEX EAC WEEE
Ex category	ATEX: 3G (EPL Gc), ATEX: 2D (EPL Db), ATEX: 3D (EPL Dc), IECEX: EPL Gc, IECEX: EPL Db, IECEX: EPL Dc

BTL7-abcd-Mnnnn-f-i-lm

BTL7

Magnetostrictive linear position sensor
Generation 7

a interface

C = Current output 0 ... 20 mA
E = Current output 4 ... 20 mA

b Operating voltage

5 = 10 ... 30 V

c + d Interface characteristic 1 + 2

01 = 2 outputs, each 1 x rising/falling
settable/programmable
00 = 1 output, rising
70 = 1 output, falling

Mnnnn Nominal length (4-position)

M0500 = metric in mm
(M0025...M2000)

f Style

CD = Mounting threads M22x1.5,
for O-Ring

i Variant

NEX = Ignition class „nA“ and „tb“

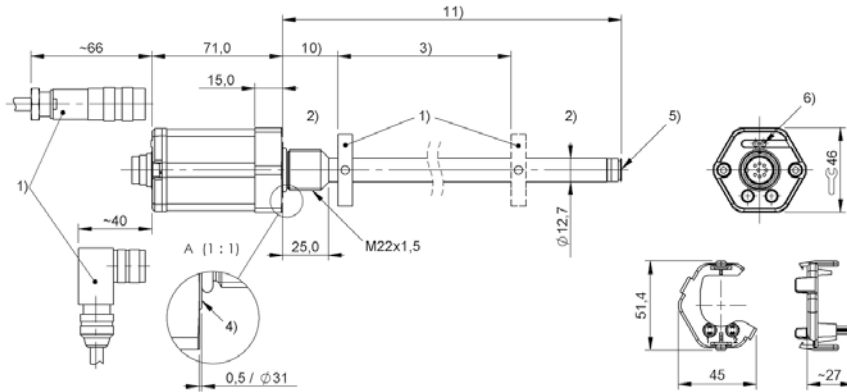
l Connection type

S = Connector
KA = Cable (PUR)

m Connection type characteristic 1

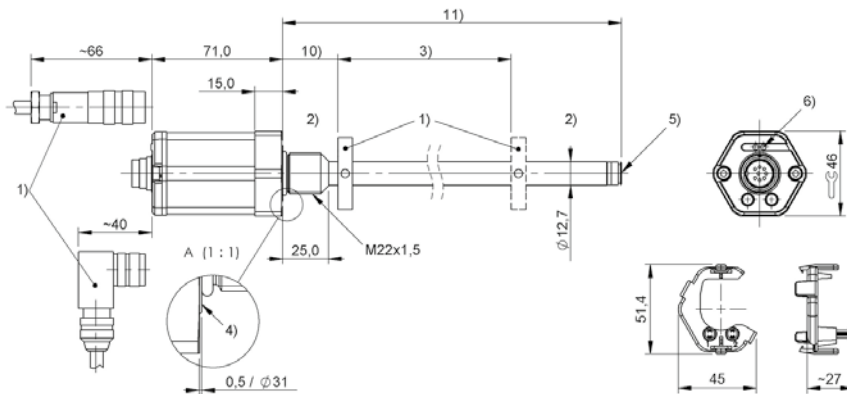
for connector:
32 = M16x0.75 connector with 8 pins
for cable (length in meters):
02, 05, 10, 15, 20, 50, 100

BTL7-E501-Mxxxx-CD-NEX-S32



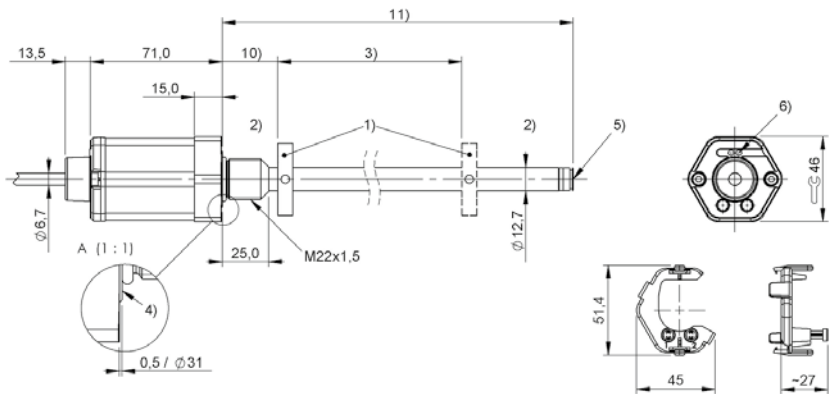
- 1) not included in scope of delivery
- 2) Non-usable area
- 3) Nominal length = Measuring length
- 4) Mounting surface
- 5) Internal threads M4x4/6 deep
- 6) LED function indicator
- 10) Null point
- 11) Installation length

BTL7-C500-Mxxxx-CD-NEX-S32



- 1) not included in scope of delivery
- 2) Non-usable area
- 3) Nominal length = Measuring length
- 4) Mounting surface
- 5) Internal threads M4x4/6 deep
- 6) LED function indicator
- 10) Null point
- 11) Installation length

BTL7-E570-Mxxxx-CD-NEX-KAxx



- 1) not included in scope of delivery
- 2) Non-usable area
- 3) Nominal length = Measuring length
- 4) Mounting surface
- 5) Internal threads M4x4/6 deep
- 6) LED function indicator
- 10) Null point
- 11) Installation length



	BTL7 -CD-NEX- SERIES - SSI
Interface	SSI
Measuring length	25...2000 mm
Repeat accuracy	$\leq \pm 5 \mu\text{m}$
Linearity deviation	d = 1, 2, 3, 7: $\pm 30\mu\text{m}$, d = 4, 5, 6, 8: $\pm 2 \text{ LSB}$
Operating voltage U_b	10...30 VDC
Ambient temperature	-40...60 °C
Mechanical configuration	Fastening M22 threads
Housing material	Aluminum, Anodized
IP rating	I = S: IP67 with connector I = KA: IP68
Approval/Conformity	CE CSA IECEX EAC WEEE
Ex category	ATEX: 3G (EPL Gc), ATEX: 2D (EPL Db), ATEX: 3D (EPL Dc), IECEX: EPL Gc, IECEX: EPL Db, IECEX: EPL Dc

BTL7-abcde-Mnnnn-f-i-lm

BTL7

Magnetostrictive linear position sensor
Generation 7

a interface

S = SSI

b Operating voltage

5 = 10 ... 30 V

c Interface characteristic 1

0 = 24 bits, binary, rising
1 = 24 bits, gray, rising
2 = 24 bits, binary, falling
3 = 24 bits, gray, falling
6 = 25 bits, binary, rising
7 = 25 bits, gray, rising
8 = 25 bits, binary, falling
9 = 25 bits, gray, falling
A = 26 bits, binary, rising
B = 26 bits, gray, rising
C = 26 bits, binary, falling
D = 26 bits, gray, falling

d Interface characteristic 2

1 = 1 μm
2 = 5 μm
3 = 10 μm
4 = 20 μm
5 = 40 μm
6 = 100 μm
7 = 2 μm
8 = 50 μm

e Interface characteristic 3

B = Synchronous mode
- = Asynchronous mode

Mnnnn Nominal length (4-position)

M0500 = metric in mm
(M0025...M2000)

f Style

CD = Mounting threads M22x1.5, for
O-Ring

i Variant

NEX = Ignition class „nA“ and „tb“

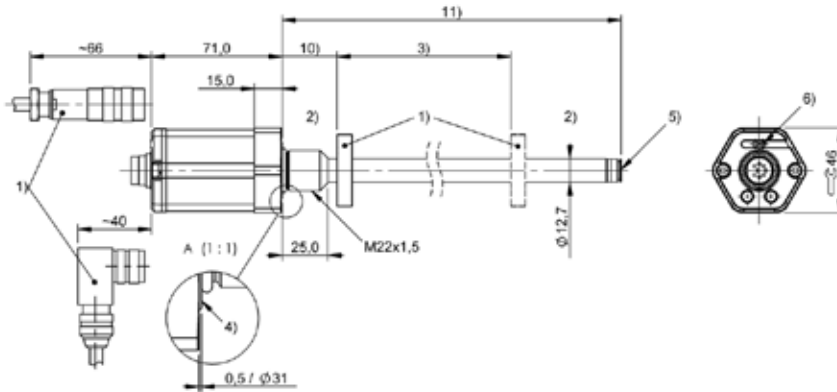
l Connection type

S = Connector
KA = Cable (PUR)

m Connection type characteristic 1

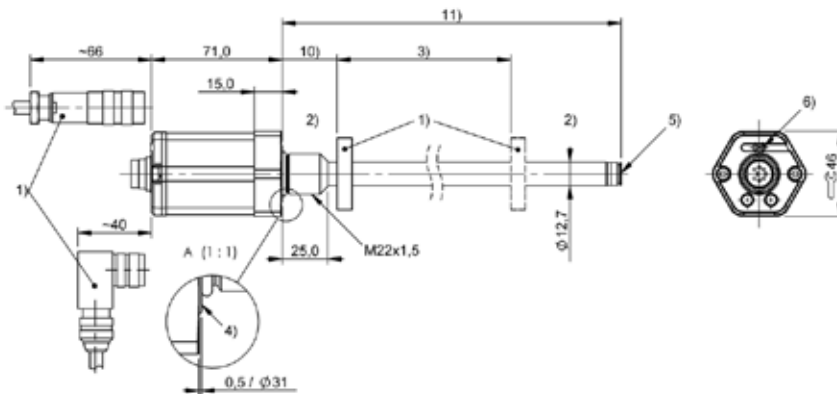
for connector:
32 = M16x0.75 connector with 8 pins
for cable (length in meters):
02, 05, 10, 15, 20, 30, 50, 100

BTL7-S510x-Mxxxx-CD-NEX-S32



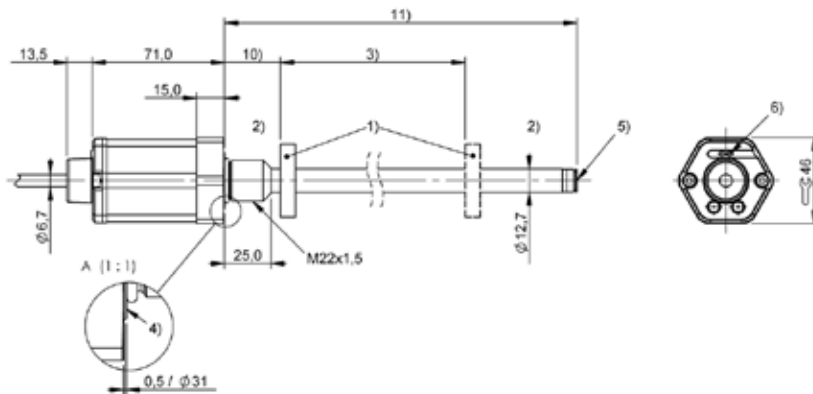
- 1) not included in scope of delivery
- 2) Non-usable area
- 3) Nominal length = Measuring length
- 4) Mounting surface
- 5) Internal threads M4x4/6 deep
- 6) LED function indicator
- 10) Null point
- 11) Installation length

BTL7-S5xxx-Mxxxx-CD-NEX-S32



- 1) not included in scope of delivery
- 2) Non-usable area
- 3) Nominal length = Measuring length
- 4) Mounting surface
- 5) Internal threads M4x4/6 deep
- 6) LED function indicator
- 10) Null point
- 11) Installation length

BTL7-S5xxx-Mxxxx-CD-NEX-KAxx



- 1) not included in scope of delivery
- 2) Non-usable area
- 3) Nominal length = Measuring length
- 4) Mounting surface
- 5) Internal threads M4x4/6 deep
- 6) LED function indicator
- 10) Null point
- 11) Installation length



	BTL7 -K-NEX- SERIES - ANALOG VOLTAGE
Interface	Analog, voltage
Measuring length	25...5500 mm
Repeat accuracy	± 10 µm
Linearity deviation	nmm = 0050...0500: ± 50 µm, nmm = 0501...5500: ± 0.01% FS
Operating voltage Ub	10...30 VDC
Ambient temperature	-40...60 °C
Mechanical configuration	Fastening 18h6 fit
Housing material	Stainless steel (1.4305)
IP rating	I = S: IP67 with connector I = K: IP68
Approval/Conformity	CE CSA IECEX EAC WEEE
Ex category	ATEX: 3G (EPL Gc), ATEX: 2D (EPL Db), ATEX: 3D (EPL Dc), IECEX: EPL Gc, IECEX: EPL Db, IECEX: EPL Dc

BTL7-abcd-Mnnnn-fg-i-lm

BTL7

Magnetostrictive linear position sensor
Generation 7

a interface

A = Voltage output 0 ... 10 V
G = voltage output -10 ... 10 V

b Operating voltage

5 = 10 ... 30 V

c + d Interface characteristic 1 + 2

10 = 2 outputs, each 1 x rising/falling

Mnnnn Nominal length (4-position)

M0500 = metric in mm
(M0025...M1016: for rod diameter
8 mm)
(M0025...M5500: for rod diameter
10.2 mm)

f Style

K = Compact rod, plug-in flange 18h6,
for O-Ring

g Form factor characteristic

8 = Rod diameter 8 mm
- = Rod diameter 10.2 mm

i Variant

NEX = Ignition class „nA“ and „tb“

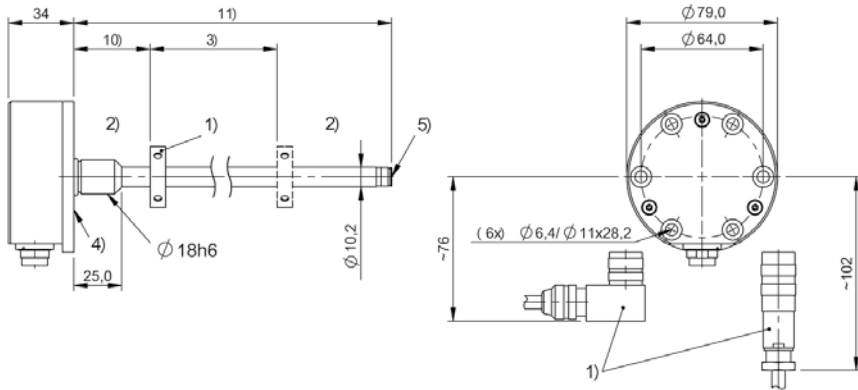
l Connection type

SR = Connector
K = Cable out radial (PUR)

m Connection type characteristic 1

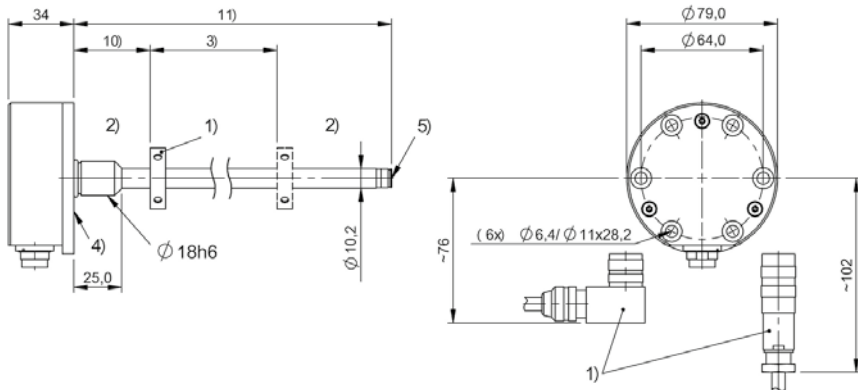
for connector:
32 = M16x0.75 connector with 8 pins
for cable (length in meters):
02, 05, 10, 15, 20, 30

BTL7-A510-Mxxxx-K-NEX-SR32



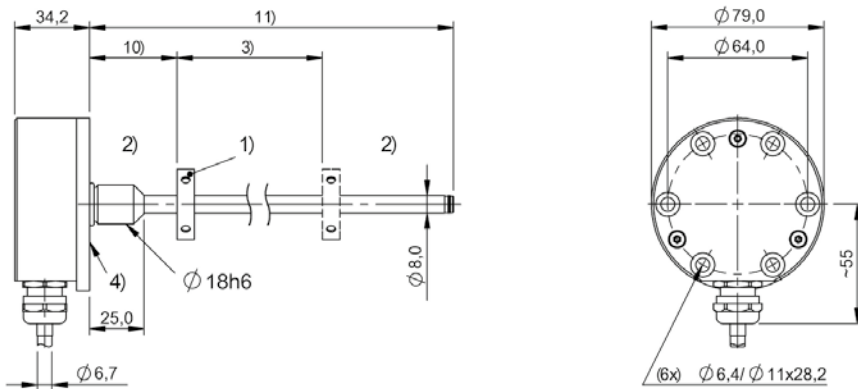
- 1) not included in scope of delivery
- 2) Non-usable area
- 3) Nominal length = Measuring length
- 4) Mounting surface
- 5) Internal threads M4x4/6 deep
- 10) Null point
- 11) Installation length

BTL7-G510-Mxxxx-K-NEX-SR32



- 1) not included in scope of delivery
- 2) Non-usable area
- 3) Nominal length = Measuring length
- 4) Mounting surface
- 5) Internal threads M4x4/6 deep
- 10) Null point
- 11) Installation length

BTL7-A510-Mxxxx-K8-NEX-Kxx



- 1) not included in scope of delivery
- 2) Non-usable area
- 3) Nominal length = Measuring length
- 4) Mounting surface
- 10) Null point
- 11) Installation length



	BTL7 -K-NEX- SERIES - ANALOG CURRENT
Interface	Analog, current
Measuring length	25...5500 mm
Repeat accuracy	± 10 µm
Linearity deviation	nmm = 0050...0500: ± 50 µm, nmm = 0501...5500: ± 0.01% FS
Operating voltage Ub	10...30 VDC
Ambient temperature	-40...60 °C
Mechanical configuration	Fastening 18h6 fit
Housing material	Stainless steel (1.4305)
IP rating	I = S: IP67 with connector I = K: IP68
Approval/Conformity	CE CSA IECEX EAC WEEE
Ex category	ATEX: 3G (EPL Gc), ATEX: 2D (EPL Db), ATEX: 3D (EPL Dc), IECEX: EPL Gc, IECEX: EPL Db, IECEX: EPL Dc

BTL7-abcd-Mnnnn-fg-i-lm

BTL7

Magnetostrictive linear position sensor
Generation 7

a interface

C = Current output 0 ... 20 mA
E = Current output 4 ... 20 mA

b Operating voltage

5 = 10 ... 30 V

c + d Interface characteristic 1 + 2

00 = 1 output, rising
70 = 1 output, falling

Mnnnn Nominal length (4-position)

M0500 = metric in mm
(M0025...M1016: for rod diameter
8 mm)
(M0025...M5500: for rod diameter
10.2 mm)

f Style

K = Compact rod, plug-in flange 18h6,
for O-Ring

g Form factor characteristic

8 = Rod diameter 8 mm
- = Rod diameter 10.2 mm

i Variant

NEX = Ignition class „nA“ and „tb“

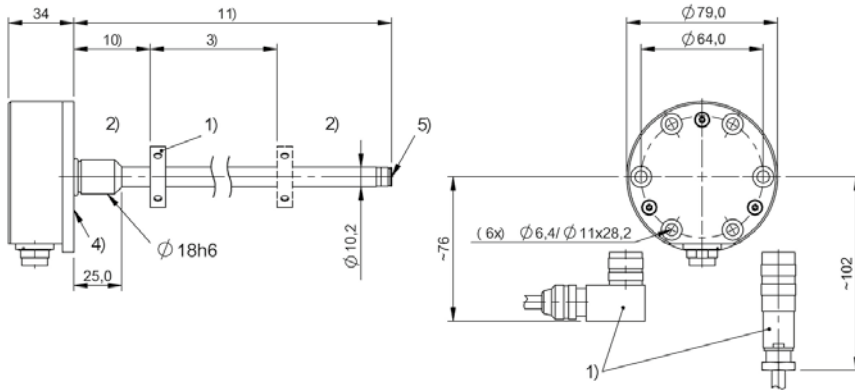
l Connection type

SR = Connector
K = Cable out radial (PUR)

m Connection type characteristic 1

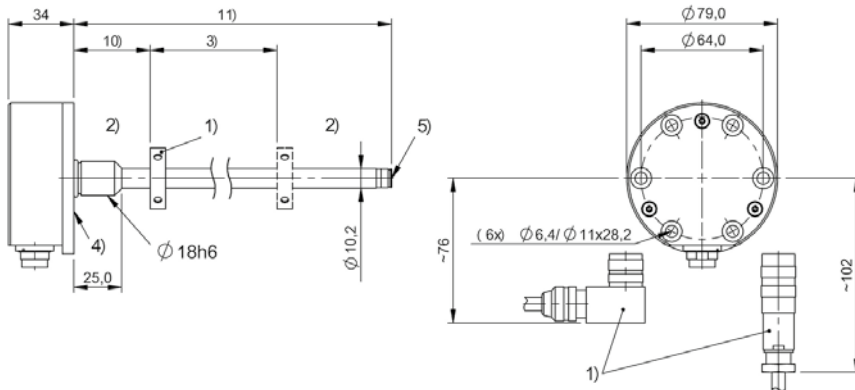
for connector:
32 = M16x0.75 connector with 8 pins
for cable (length in meters):
02, 05, 10, 15, 20, 50, 100

BTL7-E500-Mxxxx-K-NEX-SR32



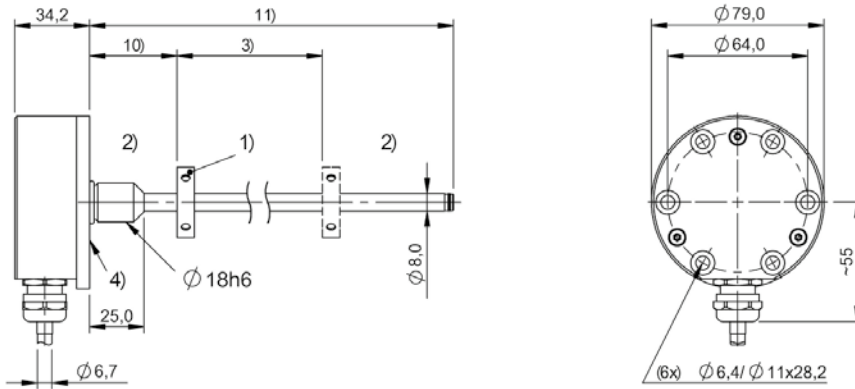
- 1) not included in scope of delivery
- 2) Non-usable area
- 3) Nominal length = Measuring length
- 4) Mounting surface
- 5) Internal threads M4x4/6 deep
- 10) Null point
- 11) Installation length

BTL7-C570-Mxxxx-K-NEX-SR32



- 1) not included in scope of delivery
- 2) Non-usable area
- 3) Nominal length = Measuring length
- 4) Mounting surface
- 5) Internal threads M4x4/6 deep
- 10) Null point
- 11) Installation length

BTL7-E570-Mxxxx-K8-NEX-Kxx



- 1) not included in scope of delivery
- 2) Non-usable area
- 3) Nominal length = Measuring length
- 4) Mounting surface
- 10) Null point
- 11) Installation length



	BTL7 -TB-NEX- SERIES - ANALOG CURRENT
Interface	Analog, current
Measuring length	25...7620 mm
Repeat accuracy	± 5 µm
Linearity deviation	nmm = 0050...0500: ± 200 µm, nmm > 0500: ± 0.04% FS
Operating voltage Ub	10...30 VDC
Ambient temperature	-40...60 °C
Mechanical configuration	Fastening M18 threads
Housing material	Aluminum, Anodized
IP rating	IP67
Approval/Conformity	CE IECEX EAC WEEE
Ex category	ATEX: 3G (EPL Gc), ATEX: 2D (EPL Db), ATEX: 3D (EPL Dc), IECEX: EPL Gc, IECEX: EPL Db, IECEX: EPL Dc

BTL7-abcd-Mnnnn-fh-i-lm

BTL7

Magnetostrictive linear position sensor
Generation 7

a interface

C = Current output 0 ... 20 mA
E = Current output 4 ... 20 mA

b Operating voltage

5 = 10 ... 30 V

c + d Interface characteristic 1 + 2

04 = 1 output rising, configurable
05 = 1 output falling, configurable

Mnnnn Nominal length (4-position)

M0500 = metric in mm
(M0025...M7620: for rod diameter
10.2 mm)

f Form factor

TB = Mounting threads M18x1.5,
for O-Ring

h Redundant

2 = 2 times redundant
3 = 3 times redundant

i Variant

NEX = Ignition class „nA“ and „tb“

l Connection type

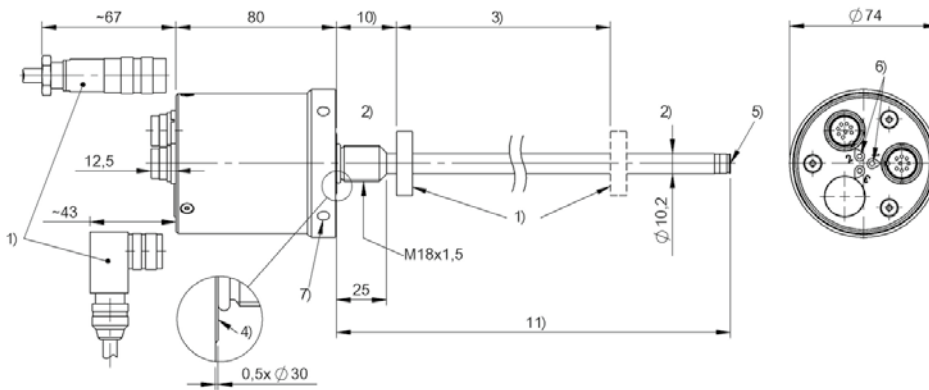
S = Connector
KA = Cable (PUR)

m Connection type characteristic 1

for connector:
32 = M16x0.75 connector with 8 pins

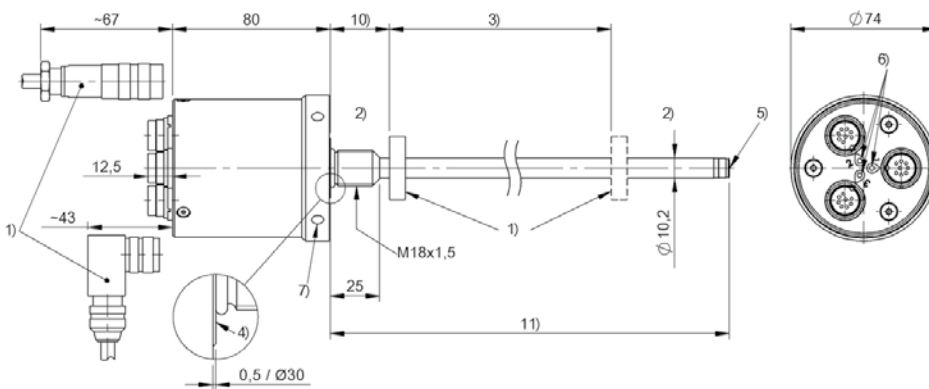
for cable (length in meters):
02, 05, 10, 15, 20

BTL7-E504-Mxxxx-TB2-NEX-S32



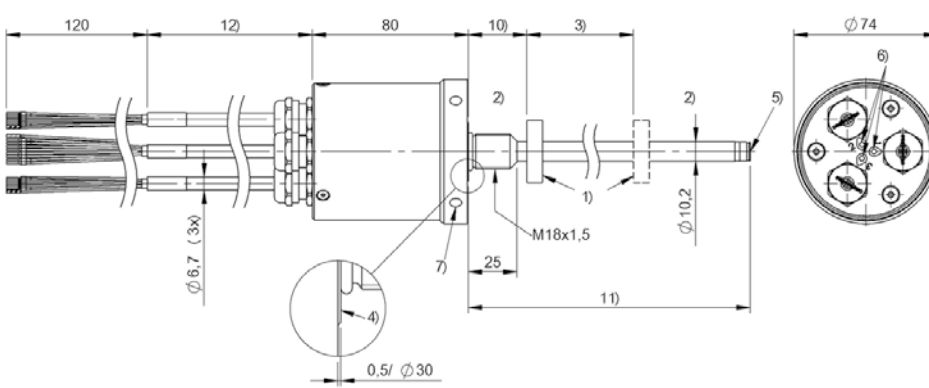
- 1) not included in scope of delivery
- 2) Non-usable area
- 3) Nominal length = Measuring length
- 4) Mounting surface
- 5) Internal threads M4x4/6 deep
- 6) LED function indicator
- 7) $\varnothing 6.1$ for hook wrench $\varnothing 74$
- 10) Null point
- 11) Installation length

BTL7-C505-Mxxxx-TB3-NEX-S32



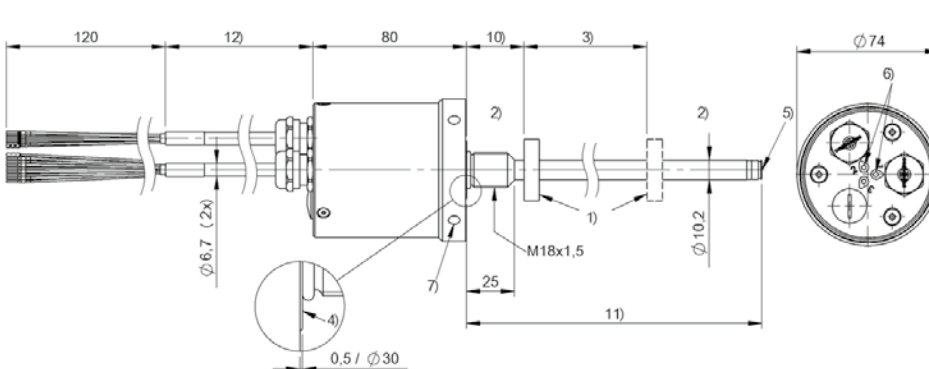
- 1) not included in scope of delivery
- 2) Non-usable area
- 3) Nominal length = Measuring length
- 4) Mounting surface
- 5) Internal threads M4x4/6 deep
- 6) LED function indicator
- 7) $\varnothing 6.1$ for hook wrench $\varnothing 74$
- 10) Null point
- 11) Installation length

BTL7-E505-Mxxxx-TB3-NEX-KAxx



- 1) not included in scope of delivery
- 2) Non-usable area
- 3) Nominal length = Measuring length
- 4) Mounting surface
- 5) Internal threads M4x4/6 deep
- 6) LED function indicator
- 7) $\varnothing 6.1$ for hook wrench $\varnothing 74$
- 10) Null point
- 11) Installation length
- 12) Cable length

BTL7-C504-Mxxxx-TB2-NEX-KAxx



- 1) not included in scope of delivery
- 2) Non-usable area
- 3) Nominal length = Measuring length
- 4) Mounting surface
- 5) Internal threads M4x4/6 deep
- 6) LED function indicator
- 7) $\varnothing 6.1$ for hook wrench $\varnothing 74$
- 10) Null point
- 11) Installation length
- 12) Cable length



	BTL7 -TZ-NEX- SERIES - ANALOG CURRENT
Interface	Analog, current
Measuring length	25...7620 mm
Repeat accuracy	± 5 µm
Linearity deviation	nmm = 0050...0500: ± 200 µm, nmm > 0500: ± 0.04% FS
Operating voltage Ub	10...30 VDC
Ambient temperature	-40...60 °C
Mechanical configuration	Fastening 3/4" threads
Housing material	Aluminum, Anodized
IP rating	IP67
Approval/Conformity	CE IECEX EAC WEEE
Ex category	ATEX: 3G (EPL Gc), ATEX: 2D (EPL Db), ATEX: 3D (EPL Dc), IECEX: EPL Gc, IECEX: EPL Db, IECEX: EPL Dc

BTL7-abcd-Mnnnn-fh-i-lm

BTL7

Magnetostrictive linear position sensor
Generation 7

a interface

C = Current output 0 ... 20 mA
E = Current output 4 ... 20 mA

b Operating voltage

5 = 10 ... 30 V

c + d Interface characteristic 1 + 2

04 = 1 output rising, configurable
05 = 1 output falling, configurable

Mnnnn Nominal length (4-position)

M0500 = metric in mm
(M0025...M7620: for rod diameter
10.2 mm)

f Form factor

TZ = Threads 3/4"-16UNF, for O-Ring

h Redundant

2 = 2 times redundant
3 = 3 times redundant

i Variant

NEX = Ignition class „nA“ and „tb“

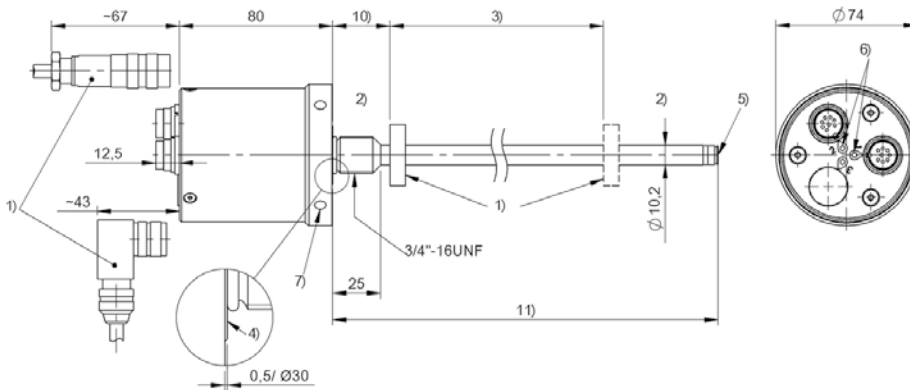
l Connection type

S = Connector
KA = Cable (PUR)

m Connection type characteristic 1

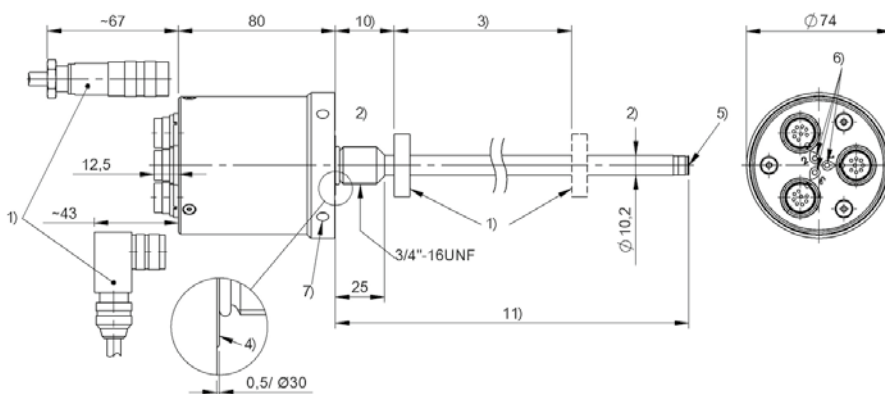
for connector:
32 = M16x0.75 connector with 8 pins
for cable (length in meters):
02, 05, 10, 15, 20

BTL7-E504-Mxxxx-TZ2-NEX-S32



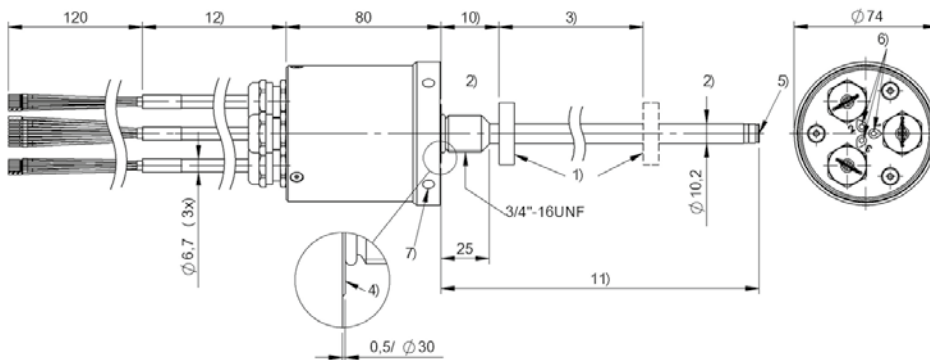
- 1) not included in scope of delivery
- 2) Non-usable area
- 3) Nominal length = Measuring length
- 4) Mounting surface
- 5) Internal threads M4x4/6 deep
- 6) LED function indicator
- 7) $\phi 6.1$ for hook wrench $\phi 74$
- 10) Null point
- 11) Installation length

BTL7-C505-Mxxxx-TZ3-NEX-S32



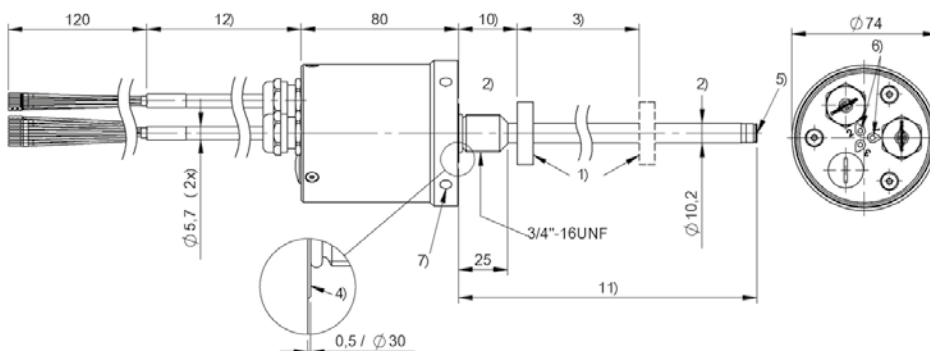
- 1) not included in scope of delivery
- 2) Non-usable area
- 3) Nominal length = Measuring length
- 4) Mounting surface
- 5) Internal threads M4x4/6 deep
- 6) LED function indicator
- 7) $\phi 6.1$ for hook wrench $\phi 74$
- 10) Null point
- 11) Installation length

BTL7-E505-Mxxxx-TZ3-NEX-KAxx



- 1) not included in scope of delivery
- 2) Non-usable area
- 3) Nominal length = Measuring length
- 4) Mounting surface
- 5) Internal threads M4x4/6 deep
- 6) LED function indicator
- 7) $\phi 6.1$ for hook wrench $\phi 74$
- 10) Null point
- 11) Installation length
- 12) Cable length

BTL7-C504-Mxxxx-TZ2-NEX-KAxx



- 1) not included in scope of delivery
- 2) Non-usable area
- 3) Nominal length = Measuring length
- 4) Mounting surface
- 5) Internal threads M4x4/6 deep
- 6) LED function indicator
- 7) $\phi 6.1$ for hook wrench $\phi 74$
- 10) Null point
- 11) Installation length
- 12) Cable length



Precise deviation measurement for numerous industries

INCLINATION SENSORS

Many applications require precise position control as well as continuous guiding and monitoring of rotary movements. Inclination sensors from Balluff measure the deviation from horizontal or vertical axes up to 360°. The sensors are available with two different measuring principles, making them ideal for numerous industries and applications.

The most important benefits

- Contactless and absolute
- Capacitive measuring principle and MEMS
- Direct inclination measurement without costly special constructions
- Interfaces: 4...20 mA, 0...10 V and Modbus
- Appropriate for use in harsh conditions with high protection class IP67
- Measuring range up to 360°
- Simple mounting and integration in your facility
- For use in many industries: factory automation, energy, hydraulics, packaging, plastics, rubber, tires, life sciences





	BSI000M BSI Q41K0-XA-MXS015-S92	BSI000N BSI Q41K0-XA-MXS030-S92	BSI000T BSI Q41K0-XA-MXS045-S92	
Measuring principle	MEMS	MEMS	MEMS	
Measuring axes	1	1	1	
Measuring range	-15...15°	-30...30°	-45...45°	
Operating voltage U_b	12...30 VDC	12...30 VDC	12...30 VDC	
Interface	Analog, voltage 0...10 V	Analog, voltage 0...10 V	Analog, voltage 0...10 V	
Resolution	0.1°	0.1°	0.1°	
Accuracy	1.0°	1.0°	1.0°	
Connection	Connector, M12x1	Connector, M12x1	Connector, M12x1	
Housing material	Plastic	Plastic	Plastic	
Ambient temperature	-40...80 °C	-40...80 °C	-40...80 °C	
Protection degree	IP67, IP69	IP67, IP69	IP67, IP69	
Approval/Conformity	CE, cULus, EAC, WEEE	CE, cULus, EAC, WEEE	CE, cULus, EAC, WEEE	
Additional text	Can be centered over 360° in the vertical position	Can be centered over 360° in the vertical position	Can be centered over 360° in the vertical position	
Productview	Page 326	Page 326	Page 326	



	BSI000U BSI Q41K0-XA-MXS090-S92	BSI000L BSI Q41K0-XA-MXP360-S92	BSI000J BSI Q41K0-XB-MXS015-S92	BSI000K BSI Q41K0-XB-MXS030-S92	BSI000P BSI Q41K0-XB-MXS045-S92
	MEMS	MEMS	MEMS	MEMS	MEMS
	1	1	1	1	1
	-90...90°	0...360°	-15...15°	-30...30°	-45...45°
	12...30 VDC	12...30 VDC	10...30 VDC	10...30 VDC	10...30 VDC
	Analog, voltage 0...10 V	Analog, voltage 0...10 V	Analog, current 4...20 mA	Analog, current 4...20 mA	Analog, current 4...20 mA
	0.1°	0.1°	0.1°	0.1°	0.1°
	1.0°	1.0°	1.0°	1.0°	1.0°
	Connector, M12x1	Connector, M12x1	Connector, M12x1	Connector, M12x1	Connector, M12x1
	Plastic	Plastic	Plastic	Plastic	Plastic
	-40...80 °C	-40...80 °C	-40...80 °C	-40...80 °C	-40...80 °C
	IP67, IP69	IP67, IP69	IP67, IP69	IP67, IP69	IP67, IP69
	CE, cULus, EAC, WEEE	CE, cULus, EAC, WEEE	CE, cULus, EAC, WEEE	CE, cULus, EAC, WEEE	CE, cULus, EAC, WEEE
	Can be centered over 360° in the vertical position	Can be centered over 360° in the vertical position	Can be centered over 360° in the vertical position	Can be centered over 360° in the vertical position	Can be centered over 360° in the vertical position
	Page 326	Page 326	Page 326	Page 326	Page 326

Sensors

RFID

Machine Vision and Optical Identification

Human Machine Interfaces

Safety

Industrial Networking

Software and System Solutions

Power Supply

Connectivity

Accessories



	BSI000R BSI Q41K0-XB-MXS090-S92	BSI000H BSI Q41K0-XB-MXP360-S92	BSI0002 BSI R11A0-XB-CXS045-S75G	
Measuring principle	MEMS	MEMS	Fluid	
Measuring axes	1	1	1	
Measuring range	-90...90°	0...360°	-45...45°	
Operating voltage U _b	10...30 VDC	10...30 VDC	10...30 VDC	
Interface	Analog, current 4...20 mA	Analog, current 4...20 mA	Analog, current 4...20 mA	
Resolution	0.1°	0.1°	≤ 0.01 °	
Accuracy	1.0°	1.0°	±0.1 % FS min. 0.1 °	
Connection	Connector, M12x1	Connector, M12x1	Connector, M8x1	
Housing material	Plastic	Plastic	Aluminum	
Ambient temperature	-40...80 °C	-40...80 °C	-40...85 °C	
Protection degree	IP67, IP69	IP67, IP69	IP67	
Approval/Conformity	CE, cULus, EAC, WEEE	CE, cULus, EAC, WEEE	CE, EAC, WEEE	
Additional text	Can be centered over 360° in the vertical position	Can be centered over 360° in the vertical position	—	
Productview	Page 326	Page 326	Page 326	



	BSI0004 BSI R11A0-XB-CXP360-S75G	BSI0003 BSI R11A0-XXR-CXP360-S75G	BSI001C BSI R65K0-XA-MXS015-S115	BSI0017 BSI R65K0-XA-MXS030-S115	BSI001F BSI R65K0-XA-MXS045-S115
	Fluid	Fluid	MEMS	MEMS	MEMS
	1	1	1	1	1
	0...360°	0...360°	-15...15°	-30...30°	-45...45°
	10...30 VDC	10...30 VDC	12...30 VDC	12...30 VDC	12...30 VDC
	Analog, current 4...20 mA	Modbus RTU	Analog, voltage 0...10 V	Analog, voltage 0...10 V	Analog, voltage 0...10 V
	≤ 0.01 °	≤ 0.01 °	≤ 0.01 °	≤ 0.01 °	≤ 0.01 °
	±0.1 % FS min. 0.1 °	±0.1° (+10...+40 °C), ±0.15° (-40...+10 °C)/+40...80 °C)	±0.2°	±0.2°	±0.2°
	Connector, M8x1	Connector, M8x1	Connector, M12x1	Connector, M12x1	Connector, M12x1
	Aluminum	Aluminum	Plastic	Plastic	Plastic
	-40...85 °C	-40...85 °C	-40...80 °C	-40...80 °C	-40...80 °C
	IP67	IP67	IP67	IP67	IP67
	CE, EAC, WEEE	CE, EAC, WEEE	CE, cULus, EAC, WEEE	CE, cULus, EAC, WEEE	CE, cULus, EAC, WEEE
	—	—	Can be centered over 360° in the vertical position	Can be centered over 360° in the vertical position	Can be centered over 360° in the vertical position
	Page 326	Page 326	Page 327	Page 327	Page 327



	BSI0005 BSI R65K0-XA-MXS090-S115	BSI0016 BSI R65K0-XA-MXP360-S115	BSI001E BSI R65K0-XB-MXS015-S115	
Measuring principle	MEMS	MEMS	MEMS	
Measuring axes	1	1	1	
Measuring range	-90...90°	0...360°	-15...15°	
Operating voltage U _b	12...30 VDC	12...30 VDC	10...30 VDC	
Interface	Analog, voltage 0...10 V	Analog, voltage 0...10 V	Analog, current 4...20 mA	
Resolution	≤ 0.01 °	≤ 0.01 °	≤ 0.01 °	
Accuracy	±0.2°	±0.25°	±0.2°	
Connection	Connector, M12x1	Connector, M12x1	Connector, M12x1	
Housing material	Plastic	Plastic	Plastic	
Ambient temperature	-40...80 °C	-40...80 °C	-40...80 °C	
Protection degree	IP67	IP67	IP67	
Approval/Conformity	CE, cULus, EAC, WEEE	CE, cULus, EAC, WEEE	CE, cULus, EAC, WEEE	
Additional text	Can be centered over 360° in the vertical position	Can be centered over 360° in the vertical position	Can be centered over 360° in the vertical position	
Productview	Page 327	Page 327	Page 327	



	BSI0018 BSI R65K0-XB-MXS030-S115	BSI0019 BSI R65K0-XB-MXS045-S115	BSI001A BSI R65K0-XB-MXS090-S115	BSI0015 BSI R65K0-XB-MXP360-S115	
	MEMS	MEMS	MEMS	MEMS	
	1	1	1	1	
	-30...30°	-45...45°	-90...90°	0...360°	
	10...30 VDC	10...30 VDC	10...30 VDC	10...30 VDC	
	Analog, current 4...20 mA	Analog, current 4...20 mA	Analog, current 4...20 mA	Analog, current 4...20 mA	
	≤ 0.01 °	≤ 0.01 °	≤ 0.01 °	≤ 0.01 °	
	±0.2°	±0.2°	±0.2°	±0.25°	
	Connector, M12x1	Connector, M12x1	Connector, M12x1	Connector, M12x1	
	Plastic	Plastic	Plastic	Plastic	
	-40...80 °C	-40...80 °C	-40...80 °C	-40...80 °C	
	IP67	IP67	IP67	IP67	
	CE, cULus, EAC, WEEE	CE, cULus, EAC, WEEE	CE, cULus, EAC, WEEE	CE, cULus, EAC, WEEE	
	Can be centered over 360° in the vertical position	Can be centered over 360° in the vertical position	Can be centered over 360° in the vertical position	Can be centered over 360° in the vertical position	
	Page 327	Page 327	Page 327	Page 327	

Sensors

RFID

Machine Vision and Optical Identification

Human Machine Interfaces

Safety

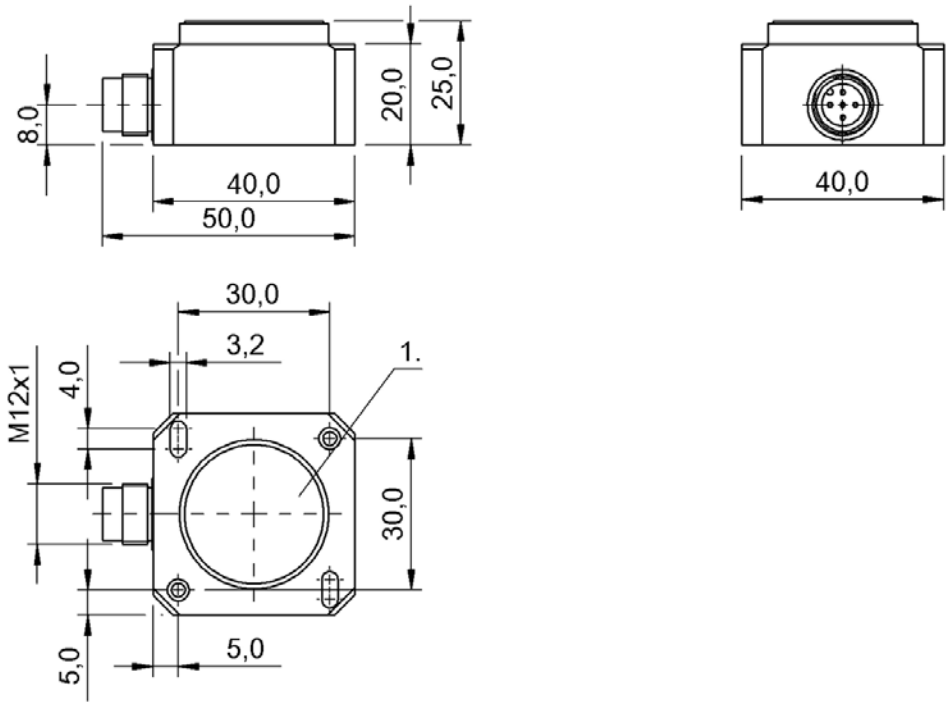
Industrial Networking

Software and System Solutions

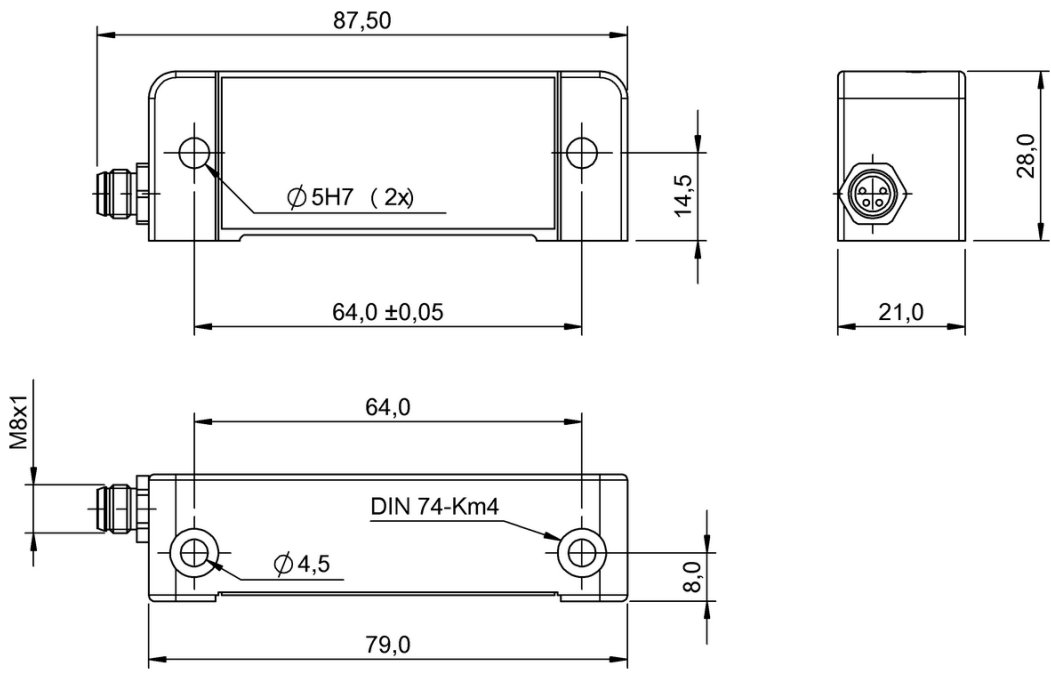
Power Supply

Connectivity

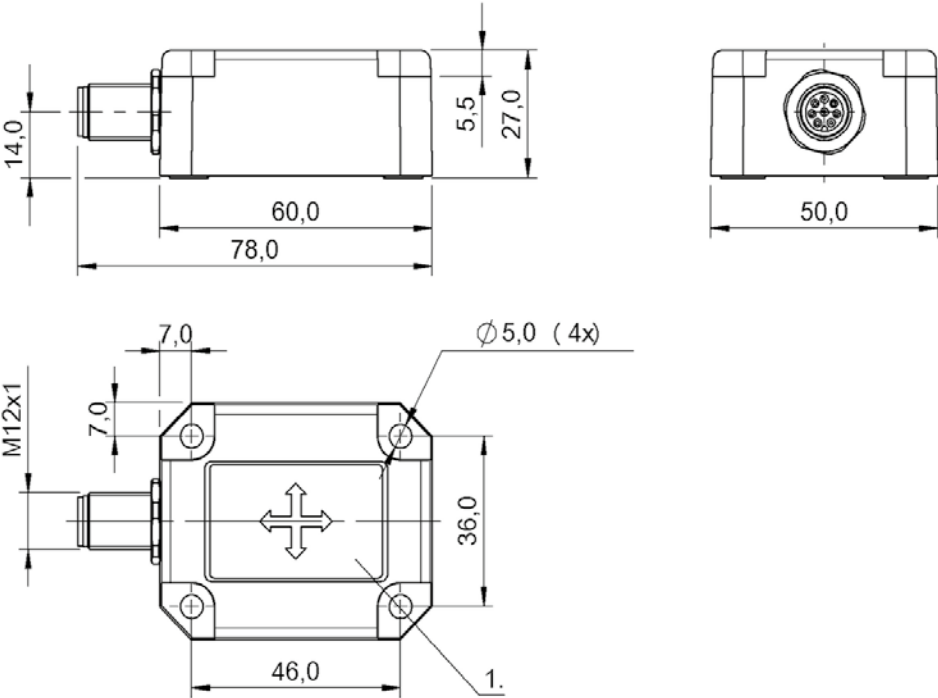
Accessories



BSI000M, BSI000N, BSI000T, BSI000U, BSI000L, BSI000J, BSI000K, BSI000P, BSI000R, BSI000H



BSI0002, BSI0004, BSI0003



BSI001C, BSI0017, BSI001F, BSI0005, BSI0016, BSI001E, BSI0018, BSI0019, BSI001A, BSI0015



	BSI000Z BSI Q41K0-XA-MYS015-S92	BSI0010 BSI Q41K0-XA-MYS030-S92	BSI0013 BSI Q41K0-XA-MYS045-S92	
Measuring principle	MEMS	MEMS	MEMS	
Measuring axes	2	2	2	
Measuring range	-15...15°	-30...30°	-45...45°	
Operating voltage Ub	12...30 VDC	12...30 VDC	12...30 VDC	
Interface	2x Analog, voltage 0...10 V	2x Analog, voltage 0...10 V	2x Analog, voltage 0...10 V	
Resolution	0.1°	0.1°	0.1°	
Accuracy	1.0°	1.0°	1.0°	
Connection	Connector, M12x1	Connector, M12x1	Connector, M12x1	
Housing material	Plastic	Plastic	Plastic	
Ambient temperature	-40...80 °C	-40...80 °C	-40...80 °C	
Protection degree	IP67, IP69	IP67, IP69	IP67, IP69	
Approval/Conformity	CE, cULus, EAC, WEEE	CE, cULus, EAC, WEEE	CE, cULus, EAC, WEEE	
Additional text	Centering in a range of ±5° from horizontal is possible	Centering in a range of ±5° from horizontal is possible	Centering in a range of ±5° from horizontal is possible	
Productview	Pager 332	Pager 332	Pager 332	



	BSI0014 BSI Q41K0-XA-MYS090-S92	BSI000W BSI Q41K0-XB-MYS015-S92	BSI000Y BSI Q41K0-XB-MYS030-S92	BSI0011 BSI Q41K0-XB-MYS045-S92	BSI0012 BSI Q41K0-XB-MYS090-S92
	MEMS	MEMS	MEMS	MEMS	MEMS
	2	2	2	2	2
	-90...90°	-15...15°	-30...30°	-45...45°	-90...90°
	12...30 VDC	10...30 VDC	10...30 VDC	10...30 VDC	10...30 VDC
	2x Analog, voltage 0...10 V	2x Analog, current 4...20 mA	2x Analog, current 4...20 mA	2x Analog, current 4...20 mA	2x Analog, current 4...20 mA
	0.1°	0.1°	0.1°	0.1°	0.1°
	1.0°	1.0°	1.0°	1.0°	1.0°
	Connector, M12x1	Connector, M12x1	Connector, M12x1	Connector, M12x1	Connector, M12x1
	Plastic	Plastic	Plastic	Plastic	Plastic
	-40...80 °C	-40...80 °C	-40...80 °C	-40...80 °C	-40...80 °C
	IP67, IP69	IP67, IP69	IP67, IP69	IP67, IP69	IP67, IP69
	CE, cULus, EAC, WEEE	CE, cULus, EAC, WEEE	CE, cULus, EAC, WEEE	CE, cULus, EAC, WEEE	CE, cULus, EAC, WEEE
	Centering in a range of ±5° from horizontal is possible	Centering in a range of ±5° from horizontal is possible	Centering in a range of ±5° from horizontal is possible	Centering in a range of ±5° from horizontal is possible	Centering in a range of ±5° from horizontal is possible
	Pager 332	Pager 332	Pager 332	Pager 332	Pager 332

Sensors

RFID

Machine Vision and
Optical Identification

Human Machine
Interfaces

Safety

Industrial Networking

Software and
System Solutions

Power Supply

Connectivity

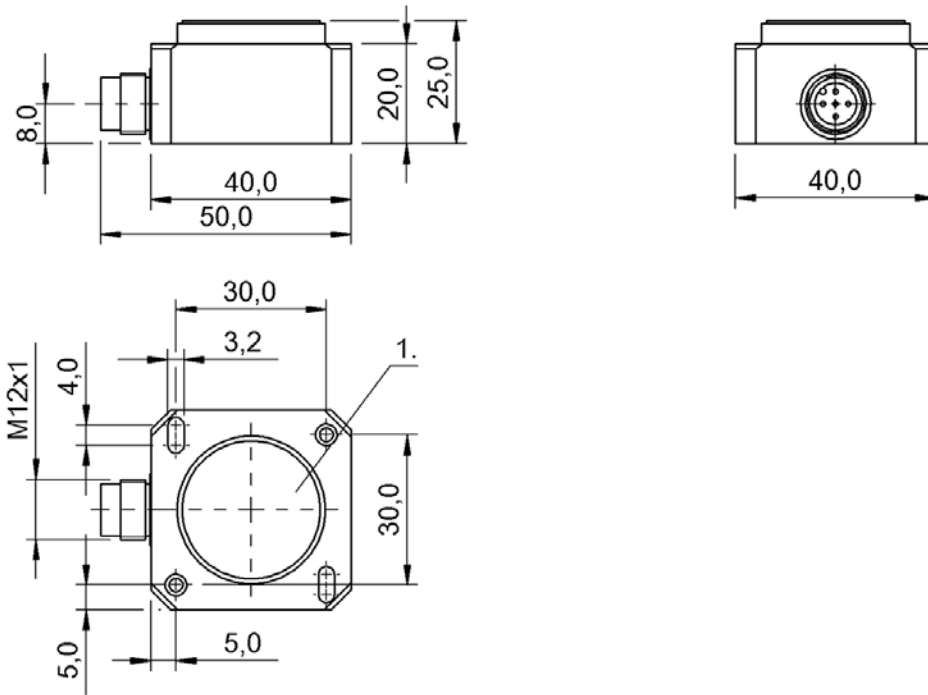
Accessories



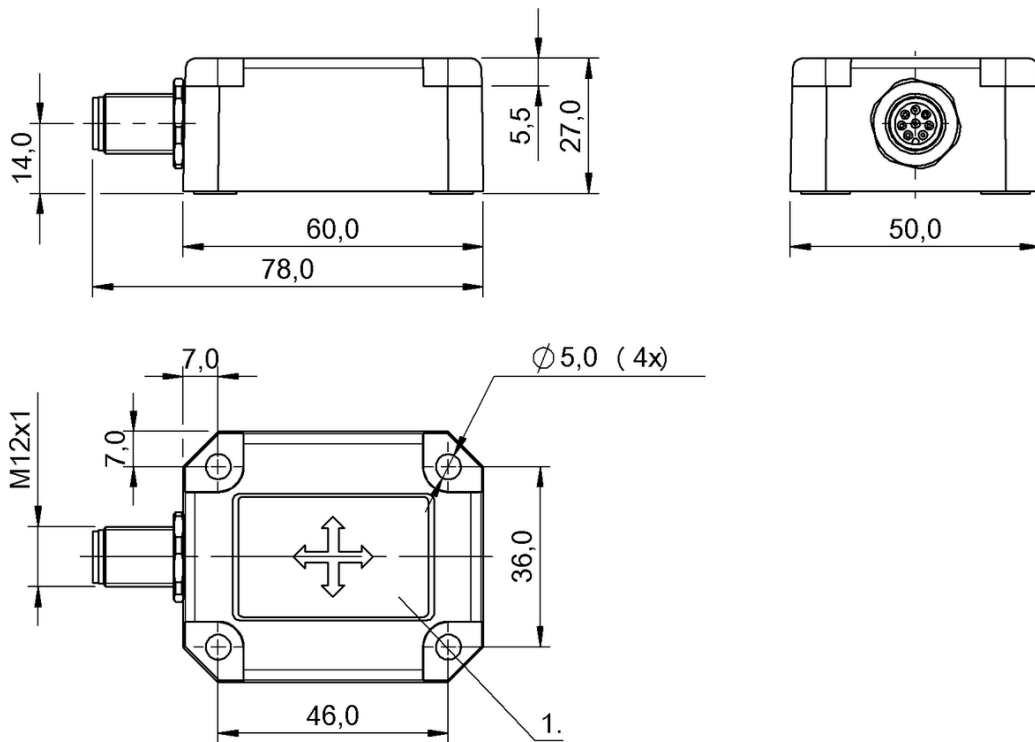
	BSI000A BSI R65K0-XA-MYS015-S115	BSI000C BSI R65K0-XA-MYS030-S115	BSI000E BSI R65K0-XA-MYS045-S115	
Measuring principle	MEMS	MEMS	MEMS	
Measuring axes	2	2	2	
Measuring range	-15...15°	-30...30°	-45...45°	
Operating voltage U_b	12...30 VDC	12...30 VDC	12...30 VDC	
Interface	2x Analog, voltage 0...10 V	2x Analog, voltage 0...10 V	2x Analog, voltage 0...10 V	
Resolution	$\leq 0.01^\circ$	$\leq 0.01^\circ$	$\leq 0.01^\circ$	
Accuracy	$\pm 0.08^\circ$	$\pm 0.12^\circ$	$\pm 0.2^\circ$	
Connection	Connector, M12x1	Connector, M12x1	Connector, M12x1	
Housing material	Plastic	Plastic	Plastic	
Ambient temperature	-40...80 °C	-40...80 °C	-40...80 °C	
Protection degree	IP67	IP67	IP67	
Approval/Conformity	CE, cULus, EAC, WEEE	CE, cULus, EAC, WEEE	CE, cULus, EAC, WEEE	
Additional text	Centering in a range of $\pm 5^\circ$ from horizontal is possible	Centering in a range of $\pm 5^\circ$ from horizontal is possible	Centering in a range of $\pm 5^\circ$ from horizontal is possible	
Productview	Pager 332	Pager 332	Pager 332	



	BSI000F BSI R65K0-XA-MYS090-S115	BSI0006 BSI R65K0-XB-MYS015-S115	BSI0007 BSI R65K0-XB-MYS030-S115	BSI0008 BSI R65K0-XB-MYS045-S115	BSI0009 BSI R65K0-XB-MYS090-S115
	MEMS	MEMS	MEMS	MEMS	MEMS
	2	2	2	2	2
	-90...90°	-15...15°	-30...30°	-45...45°	-90...90°
	12...30 VDC	10...30 VDC	10...30 VDC	10...30 VDC	10...30 VDC
	2x Analog, voltage 0...10 V	2x Analog, current 4...20 mA	2x Analog, current 4...20 mA	2x Analog, current 4...20 mA	2x Analog, current 4...20 mA
	≤ 0.01 °	≤ 0.01 °	≤ 0.01 °	≤ 0.01 °	≤ 0.01 °
	±0.2°	±0.08°	±0.12°	±0.2°	±0.2°
	Connector, M12x1	Connector, M12x1	Connector, M12x1	Connector, M12x1	Connector, M12x1
	Plastic	Plastic	Plastic	Plastic	Plastic
	-40...80 °C	-40...80 °C	-40...80 °C	-40...80 °C	-40...80 °C
	IP67	IP67	IP67	IP67	IP67
	CE, cULus, EAC, WEEE	CE, cULus, EAC, WEEE	CE, cULus, EAC, WEEE	CE, cULus, EAC, WEEE	CE, cULus, EAC, WEEE
	Centering in a range of ±5° from horizontal is possible	Centering in a range of ±5° from horizontal is possible	Centering in a range of ±5° from horizontal is possible	Centering in a range of ±5° from horizontal is possible	Centering in a range of ±5° from horizontal is possible
	Pager 332	Pager 332	Pager 332	Pager 332	Pager 332



BSI000Z, BSI0010, BSI0013, BSI0014, BSI000W, BSI000Y, BSI0011, BSI0012



BSI000A, BSI000C, BSI000E, BSI000F, BSI0006, BSI0007, BSI0008, BSI0009



Compact and convenient measurement and monitoring

PRESSURE SENSORS



Our high-end pressure transmitters are optimally suited for pressure monitoring and pressure measurement of gaseous, fluid and viscous media. With their rotatable housing and the simple, VDMA-compliant programming, they can be flexibly mounted as well as conveniently serviced. The bright LED display always gives you an overview of the current system pressure.

The most important benefits

- Compact and rugged as a transmitter
- Convenient to operate, with a very legible display
- Pressure range $-1 \dots 600$ bar
- Process connection $G\frac{1}{2}"$, $G\frac{1}{2}"$, $R\frac{1}{4}"$, $NPT\frac{1}{4}"$
- Flush with the front surface in $G\frac{1}{2}"$ and Tri-Clamp $1\frac{1}{2}"$
- Output $4 \dots 20$ mA, $0 \dots 10$ V, switching points (NPN/PNP) and IO-Link
- Fluid temperature $-40 \dots +125$ °C
- Enclosure rating IP67
- UL approval
- Compact with M12 connection
- Stainless steel or PVDF process connection
- Dual rotation – easily installed
- Pressure values directly via IO-Link



	BSP00KP BSP B002-HV004-A04A1A-S4	BSP00KM BSP V002-HV004-A04A1A-S4	BSP00KR BSP B005-HV004-A04A1A-S4	
Measuring range	0...2 bar	-1...2 bar	0...5 bar	
Accuracy	±0.5 % FSO BFSL	±0.5 % FSO BFSL	±0.5 % FSO BFSL	
Overload pressure	4 bar	4 bar	12 bar	
Burst pressure	10.00 bar	10.00 bar	15.00 bar	
Operating voltage U _b	14...30 VDC	14...30 VDC	14...30 VDC	
Interface	—	—	—	
Analog output	Analog, voltage 0...10 V	Analog, voltage 0...10 V	Analog, voltage 0...10 V	
Switching output	—	—	—	
Connection	Connector, M12x1-Male, 4-pin	Connector, M12x1-Male, 4-pin	Connector, M12x1-Male, 4-pin	
Process connection	G 1/2" (DIN 3852)	G 1/2" (DIN 3852)	G 1/2" (DIN 3852)	
Process connection material	Stainless steel (1.4301)	Stainless steel (1.4301)	Stainless steel (1.4301)	
Gasket, material	Fluoroelastomer	Fluoroelastomer	Fluoroelastomer	
Housing material	Stainless steel (1.4301)	Stainless steel (1.4301)	Stainless steel (1.4301)	
Media temperature	-40...125 °C	-40...125 °C	-40...125 °C	
Ambient temperature	-40...85 °C	-40...85 °C	-40...85 °C	
cal_protection_type_iec_60529	IP67, IP69k	IP67, IP69k	IP67, IP69k	
Approval/Conformity	CE, cULus, EAC, WEEE,	CE, cULus, EAC, WEEE,	CE, cULus, EAC, WEEE,	
Productview	Page 368	Page 368	Page 368	



	BSP00KT BSP B010-HV004-A04A1A-S4	BSP00KN BSP V010-HV004-A04A1A-S4	BSP00KU BSP B020-HV004-A04A1A-S4	BSP00KW BSP B050-HV004-A04A1A-S4	BSP00KY BSP B100-HV004-A04A1A-S4
	0...10 bar	-1...10 bar	0...20 bar	0...50 bar	0...100 bar
	±0.5 % FSO BFSL	±0.5 % FSO BFSL	±0.5 % FSO BFSL	±0.5 % FSO BFSL	±0.5 % FSO BFSL
	20 bar	20 bar	50 bar	120 bar	200 bar
	35.00 bar	35.00 bar	70.00 bar	150.00 bar	300.00 bar
	14...30 VDC	14...30 VDC	14...30 VDC	14...30 VDC	14...30 VDC
	—	—	—	—	—
	Analog, voltage 0...10 V	Analog, voltage 0...10 V	Analog, voltage 0...10 V	Analog, voltage 0...10 V	Analog, voltage 0...10 V
	—	—	—	—	—
	Connector, M12x1-Male, 4-pin	Connector, M12x1-Male, 4-pin	Connector, M12x1-Male, 4-pin	Connector, M12x1-Male, 4-pin	Connector, M12x1-Male, 4-pin
	G 1/2" (DIN 3852)	G 1/2" (DIN 3852)	G 1/2" (DIN 3852)	G 1/2" (DIN 3852)	G 1/2" (DIN 3852)
	Stainless steel (1.4301)	Stainless steel (1.4301)	Stainless steel (1.4301)	Stainless steel (1.4301)	Stainless steel (1.4301)
	Fluoroelastomer	Fluoroelastomer	Fluoroelastomer	Fluoroelastomer	Fluoroelastomer
	Stainless steel (1.4301)	Stainless steel (1.4301)	Stainless steel (1.4301)	Stainless steel (1.4301)	Stainless steel (1.4301)
	-40...125 °C	-40...125 °C	-40...125 °C	-40...125 °C	-40...125 °C
	-40...85 °C	-40...85 °C	-40...85 °C	-40...85 °C	-40...85 °C
	IP67, IP69k	IP67, IP69k	IP67, IP69k	IP67, IP69k	IP67, IP69k
	CE, cULus, EAC, WEEE,	CE, cULus, EAC, WEEE,	CE, cULus, EAC, WEEE,	CE, cULus, EAC, WEEE,	CE, cULus, EAC, WEEE,
	Page 368	Page 368	Page 368	Page 368	Page 368

Sensors

RFID

Machine Vision and
Optical Identification

Human Machine
Interfaces

Safety

Industrial Networking

Software and
System Solutions

Power Supply

Connectivity

Accessories



	BSP00K7 BSP B250-HV004-A04A1A-S4	BSP00L0 BSP B400-HV004-A04A1A-S4	BSP00L1 BSP B600-HV004-A04A1A-S4	
Measuring range	0...250 bar	0...400 bar	0...600 bar	
Accuracy	±0.5 % FSO BFSL	±0.5 % FSO BFSL	±0.5 % FSO BFSL	
Overload pressure	400 bar	1200 bar	1200 bar	
Burst pressure	750.00 bar	1500.00 bar	1800.00 bar	
Operating voltage U _b	14...30 VDC	14...30 VDC	14...30 VDC	
Interface	—	—	—	
Analog output	Analog, voltage 0...10 V	Analog, voltage 0...10 V	Analog, voltage 0...10 V	
Switching output	—	—	—	
Connection	Connector, M12x1-Male, 4-pin	Connector, M12x1-Male, 4-pin	Connector, M12x1-Male, 4-pin	
Process connection	G 1/2" (DIN 3852)	G 1/2" (DIN 3852)	G 1/2" (DIN 3852)	
Process connection material	Stainless steel (1.4301)	Stainless steel (1.4571)	Stainless steel (1.4571)	
Gasket, material	Fluoroelastomer	without, welded	without, welded	
Housing material	Stainless steel (1.4301)	Stainless steel (1.4301)	Stainless steel (1.4301)	
Media temperature	-40...125 °C	-40...125 °C	-40...125 °C	
Ambient temperature	-40...85 °C	-40...85 °C	-40...85 °C	
cal_protection_type_iec_60529	IP67, IP69k	IP67, IP69k	IP67, IP69k	
Approval/Conformity	CE, cULus, EAC, WEEE,	CE, cULus, EAC, WEEE,	CE, cULus, EAC, WEEE,	
Productview	Page 368	Page 368	Page 368	



	BSP00JH BSP B002-DV004-A04A1A-S4	BSP00JE BSP V002-DV004-A04A1A-S4	BSP00JJ BSP B005-DV004-A04A1A-S4	BSP00L8 BSP B006-DV004-A04A1A-S4	BSP00JK BSP B010-DV004-A04A1A-S4
	0...2 bar	-1...2 bar	0...5 bar	0...6 bar	0...10 bar
	±0.5 % FSO BFSL	±0.5 % FSO BFSL	±0.5 % FSO BFSL	±0.5 % FSO BFSL	±0.5 % FSO BFSL
	4 bar	4 bar	12 bar	12 bar	20 bar
	10.00 bar	10.00 bar	15.00 bar	18.00 bar	35.00 bar
	14...30 VDC	14...30 VDC	14...30 VDC	14...30 VDC	14...30 VDC
	—	—	—	—	—
	Analog, voltage 0...10 V	Analog, voltage 0...10 V	Analog, voltage 0...10 V	Analog, voltage 0...10 V	Analog, voltage 0...10 V
	—	—	—	—	—
	Connector, M12x1-Male, 4-pin	Connector, M12x1-Male, 4-pin	Connector, M12x1-Male, 4-pin	Connector, M12x1-Male, 4-pin	Connector, M12x1-Male, 4-pin
	G 1/4" (DIN 3852)	G 1/4" (DIN 3852)	G 1/4" (DIN 3852)	G 1/4" (DIN 3852)	G 1/4" (DIN 3852)
	Stainless steel (1.4301)	Stainless steel (1.4301)	Stainless steel (1.4301)	Stainless steel (1.4301)	Stainless steel (1.4301)
	Fluoroelastomer	Fluoroelastomer	Fluoroelastomer	Fluoroelastomer	Fluoroelastomer
	Stainless steel (1.4301)	Stainless steel (1.4301)	Stainless steel (1.4301)	Stainless steel (1.4301)	Stainless steel (1.4301)
	-40...125 °C	-40...125 °C	-40...125 °C	-40...125 °C	-40...125 °C
	-40...85 °C	-40...85 °C	-40...85 °C	-40...85 °C	-40...85 °C
	IP67, IP69k	IP67, IP69k	IP67, IP69k	IP67, IP69k	IP67, IP69k
	CE, cULus, EAC, WEEE,	CE, cULus, EAC, WEEE,	CE, cULus, EAC, WEEE,	CE, cULus, EAC, WEEE,	CE, cULus, EAC, WEEE,
	Page 368	Page 368	Page 368	Page 368	Page 368

Sensors

RFID

Machine Vision and
Optical Identification

Human Machine
Interfaces

Safety

Industrial Networking

Software and
System Solutions

Power Supply

Connectivity

Accessories



	BSP00JF BSP V010-DV004-A04A1A-S4	BSP00JL BSP B020-DV004-A04A1A-S4	BSP00JM BSP B050-DV004-A04A1A-S4	
Measuring range	-1...10 bar	0...20 bar	0...50 bar	
Accuracy	±0.5 % FSO BFSL	±0.5 % FSO BFSL	±0.5 % FSO BFSL	
Overload pressure	20 bar	50 bar	120 bar	
Burst pressure	35.00 bar	70.00 bar	150.00 bar	
Operating voltage U _b	14...30 VDC	14...30 VDC	14...30 VDC	
Interface	—	—	—	
Analog output	Analog, voltage 0...10 V	Analog, voltage 0...10 V	Analog, voltage 0...10 V	
Switching output	—	—	—	
Connection	Connector, M12x1-Male, 4-pin	Connector, M12x1-Male, 4-pin	Connector, M12x1-Male, 4-pin	
Process connection	G 1/4" (DIN 3852)	G 1/4" (DIN 3852)	G 1/4" (DIN 3852)	
Process connection material	Stainless steel (1.4301)	Stainless steel (1.4301)	Stainless steel (1.4301)	
Gasket, material	Fluoroelastomer	Fluoroelastomer	Fluoroelastomer	
Housing material	Stainless steel (1.4301)	Stainless steel (1.4301)	Stainless steel (1.4301)	
Media temperature	-40...125 °C	-40...125 °C	-40...125 °C	
Ambient temperature	-40...85 °C	-40...85 °C	-40...85 °C	
cal_protection_type_iec_60529	IP67, IP69k	IP67, IP69k	IP67, IP69k	
Approval/Conformity	CE, cULus, EAC, WEEE,	CE, cULus, EAC, WEEE,	CE, cULus, EAC, WEEE,	
Productview	Page 368	Page 368	Page 368	



	BSP00.JN BSP B100-DV004-A04A1A-S4	BSP00.JP BSP B250-DV004-A04A1A-S4	BSP00.JR BSP B400-DV004-A04A1A-S4	BSP00.JT BSP B600-DV004-A04A1A-S4	BSP00.JY BSP B002-FV004-A04A1A-S4
	0...100 bar	0...250 bar	0...400 bar	0...600 bar	0...2 bar
	±0.5 % FSO BFSL	±0.5 % FSO BFSL	±0.5 % FSO BFSL	±0.5 % FSO BFSL	±0.5 % FSO BFSL
	200 bar	400 bar	1200 bar	1200 bar	4 bar
	300.00 bar	750.00 bar	1500.00 bar	1800.00 bar	10.00 bar
	14...30 VDC	14...30 VDC	14...30 VDC	14...30 VDC	14...30 VDC
	—	—	—	—	—
	Analog, voltage 0...10 V	Analog, voltage 0...10 V	Analog, voltage 0...10 V	Analog, voltage 0...10 V	Analog, voltage 0...10 V
	—	—	—	—	—
	Connector, M12x1-Male, 4-pin	Connector, M12x1-Male, 4-pin	Connector, M12x1-Male, 4-pin	Connector, M12x1-Male, 4-pin	Connector, M12x1-Male, 4-pin
	G 1/4" (DIN 3852)	G 1/4" (DIN 3852)	G 1/4" (DIN 3852)	G 1/4" (DIN 3852)	NPT 1/4"
	Stainless steel (1.4301)	Stainless steel (1.4301)	Stainless steel (1.4571)	Stainless steel (1.4571)	Stainless steel (1.4301)
	Fluoroelastomer	Fluoroelastomer	without, welded	without, welded	Fluoroelastomer
	Stainless steel (1.4301)	Stainless steel (1.4301)	Stainless steel (1.4301)	Stainless steel (1.4301)	Stainless steel (1.4301)
	-40...125 °C	-40...125 °C	-40...125 °C	-40...125 °C	-40...125 °C
	-40...85 °C	-40...85 °C	-40...85 °C	-40...85 °C	-40...85 °C
	IP67, IP69k	IP67, IP69k	IP67, IP69k	IP67, IP69k	IP67, IP69k
	CE, cULus, EAC, WEEE,	CE, cULus, EAC, WEEE,	CE, cULus, EAC, WEEE,	CE, cULus, EAC, WEEE,	CE, cULus, EAC, WEEE,
	Page 368	Page 368	Page 369	Page 369	Page 369



	BSP00JU BSP V002-FV004-A04A1A-S4	BSP00JZ BSP B005-FV004-A04A1A-S4	BSP00KO BSP B010-FV004-A04A1A-S4	
Measuring range	-1...2 bar	0...5 bar	0...10 bar	
Accuracy	±0.5 % FSO BFSL	±0.5 % FSO BFSL	±0.5 % FSO BFSL	
Overload pressure	4 bar	12 bar	20 bar	
Burst pressure	10.00 bar	15.00 bar	35.00 bar	
Operating voltage U _b	14...30 VDC	14...30 VDC	14...30 VDC	
Interface	—	—	—	
Analog output	Analog, voltage 0...10 V	Analog, voltage 0...10 V	Analog, voltage 0...10 V	
Switching output	—	—	—	
Connection	Connector, M12x1-Male, 4-pin	Connector, M12x1-Male, 4-pin	Connector, M12x1-Male, 4-pin	
Process connection	NPT 1/4"	NPT 1/4"	NPT 1/4"	
Process connection material	Stainless steel (1.4301)	Stainless steel (1.4301)	Stainless steel (1.4301)	
Gasket, material	Fluoroelastomer	Fluoroelastomer	Fluoroelastomer	
Housing material	Stainless steel (1.4301)	Stainless steel (1.4301)	Stainless steel (1.4301)	
Media temperature	-40...125 °C	-40...125 °C	-40...125 °C	
Ambient temperature	-40...85 °C	-40...85 °C	-40...85 °C	
cal_protection_type_iec_60529	IP67, IP69k	IP67, IP69k	IP67, IP69k	
Approval/Conformity	CE, cULus, EAC, WEEE,	CE, cULus, EAC, WEEE,	CE, cULus, EAC, WEEE,	
Productview	Page 370	Page 369	Page 369	



	BSP00JW BSP V010-FV004-A04A1A-S4	BSP00K1 BSP B020-FV004-A04A1A-S4	BSP00K2 BSP B050-FV004-A04A1A-S4	BSP00K3 BSP B100-FV004-A04A1A-S4	BSP00K4 BSP B250-FV004-A04A1A-S4
	-1...10 bar	0...20 bar	0...50 bar	0...100 bar	0...250 bar
	±0.5 % FSO BFSL	±0.5 % FSO BFSL	±0.5 % FSO BFSL	±0.5 % FSO BFSL	±0.5 % FSO BFSL
	20 bar	50 bar	120 bar	200 bar	400 bar
	35.00 bar	70.00 bar	150.00 bar	300.00 bar	750.00 bar
	14...30 VDC	14...30 VDC	14...30 VDC	14...30 VDC	14...30 VDC
	—	—	—	—	—
	Analog, voltage 0...10 V	Analog, voltage 0...10 V	Analog, voltage 0...10 V	Analog, voltage 0...10 V	Analog, voltage 0...10 V
	—	—	—	—	—
	Connector, M12x1-Male, 4-pin	Connector, M12x1-Male, 4-pin	Connector, M12x1-Male, 4-pin	Connector, M12x1-Male, 4-pin	Connector, M12x1-Male, 4-pin
	NPT 1/4"	NPT 1/4"	NPT 1/4"	NPT 1/4"	NPT 1/4"
	Stainless steel (1.4301)	Stainless steel (1.4301)	Stainless steel (1.4301)	Stainless steel (1.4301)	Stainless steel (1.4301)
	Fluoroelastomer	Fluoroelastomer	Fluoroelastomer	Fluoroelastomer	Fluoroelastomer
	Stainless steel (1.4301)	Stainless steel (1.4301)	Stainless steel (1.4301)	Stainless steel (1.4301)	Stainless steel (1.4301)
	-40...125 °C	-40...125 °C	-40...125 °C	-40...125 °C	-40...125 °C
	-40...85 °C	-40...85 °C	-40...85 °C	-40...85 °C	-40...85 °C
	IP67, IP69k	IP67, IP69k	IP67, IP69k	IP67, IP69k	IP67, IP69k
	CE, cULus, EAC, WEEE,	CE, cULus, EAC, WEEE,	CE, cULus, EAC, WEEE,	CE, cULus, EAC, WEEE,	CE, cULus, EAC, WEEE,
	Page 370	Page 369	Page 369	Page 369	Page 369



	BSP00K5 BSP B400-FV004-A04A1A-S4	BSP00K6 BSP B600-FV004-A04A1A-S4	BSP00K9 BSP B002-KV004-A04A1A-S4	
Measuring range	0...400 bar	0...600 bar	0...2 bar	
Accuracy	±0.5 % FSO BFSL	±0.5 % FSO BFSL	±0.5 % FSO BFSL	
Overload pressure	1200 bar	1200 bar	4 bar	
Burst pressure	1500.00 bar	1800.00 bar	10.00 bar	
Operating voltage U _b	14...30 VDC	14...30 VDC	14...30 VDC	
Interface	—	—	—	
Analog output	Analog, voltage 0...10 V	Analog, voltage 0...10 V	Analog, voltage 0...10 V	
Switching output	—	—	—	
Connection	Connector, M12x1-Male, 4-pin	Connector, M12x1-Male, 4-pin	Connector, M12x1-Male, 4-pin	
Process connection	NPT 1/4"	NPT 1/4"	R 1/4"	
Process connection material	Stainless steel (1.4571)	Stainless steel (1.4571)	Stainless steel (1.4301)	
Gasket, material	without, welded	without, welded	Fluoroelastomer	
Housing material	Stainless steel (1.4301)	Stainless steel (1.4301)	Stainless steel (1.4301)	
Media temperature	-40...125 °C	-40...125 °C	-40...125 °C	
Ambient temperature	-40...85 °C	-40...85 °C	-40...85 °C	
cal_protection_type_iec_60529	IP67, IP69k	IP67, IP69k	IP67, IP69k	
Approval/Conformity	CE, cULus, EAC, WEEE,	CE, cULus, EAC, WEEE,	CE, cULus, EAC, WEEE,	
Productview	Page 370	Page 370	Page 370	



	BSP00K7 BSP V002-KV004-A04A1A-S4	BSP00KA BSP B005-KV004-A04A1A-S4	BSP00KC BSP B010-KV004-A04A1A-S4	BSP00K8 BSP V010-KV004-A04A1A-S4	BSP00KE BSP B020-KV004-A04A1A-S4
	-1...2 bar	0...5 bar	0...10 bar	-1...10 bar	0...20 bar
	±0.5 % FSO BFSL	±0.5 % FSO BFSL	±0.5 % FSO BFSL	±0.5 % FSO BFSL	±0.5 % FSO BFSL
	4 bar	12 bar	20 bar	20 bar	50 bar
	10.00 bar	15.00 bar	35.00 bar	35.00 bar	70.00 bar
	14...30 VDC	14...30 VDC	14...30 VDC	14...30 VDC	14...30 VDC
	—	—	—	—	—
	Analog, voltage 0...10 V	Analog, voltage 0...10 V	Analog, voltage 0...10 V	Analog, voltage 0...10 V	Analog, voltage 0...10 V
	—	—	—	—	—
	Connector, M12x1-Male, 4-pin	Connector, M12x1-Male, 4-pin	Connector, M12x1-Male, 4-pin	Connector, M12x1-Male, 4-pin	Connector, M12x1-Male, 4-pin
	R 1/4"	R 1/4"	R 1/4"	R 1/4"	R 1/4"
	Stainless steel (1.4301)	Stainless steel (1.4301)	Stainless steel (1.4301)	Stainless steel (1.4301)	Stainless steel (1.4301)
	Fluoroelastomer	Fluoroelastomer	Fluoroelastomer	Fluoroelastomer	Fluoroelastomer
	Stainless steel (1.4301)	Stainless steel (1.4301)	Stainless steel (1.4301)	Stainless steel (1.4301)	Stainless steel (1.4301)
	-40...125 °C	-40...125 °C	-40...125 °C	-40...125 °C	-40...125 °C
	-40...85 °C	-40...85 °C	-40...85 °C	-40...85 °C	-40...85 °C
	IP67, IP69k	IP67, IP69k	IP67, IP69k	IP67, IP69k	IP67, IP69k
	CE, cULus, EAC, WEEE,	CE, cULus, EAC, WEEE,	CE, cULus, EAC, WEEE,	CE, cULus, EAC, WEEE,	CE, cULus, EAC, WEEE,
	Page 370	Page 370	Page 370	Page 370	Page 370



	BSP00KF BSP B050-KV004-A04A1A-S4	BSP00KH BSP B100-KV004-A04A1A-S4	BSP00KJ BSP B250-KV004-A04A1A-S4	
Measuring range	0...50 bar	0...100 bar	0...250 bar	
Accuracy	±0.5 % FSO BFSL	±0.5 % FSO BFSL	±0.5 % FSO BFSL	
Overload pressure	120 bar	200 bar	400 bar	
Burst pressure	150.00 bar	300.00 bar	750.00 bar	
Operating voltage U _b	14...30 VDC	14...30 VDC	14...30 VDC	
Interface	—	—	—	
Analog output	Analog, voltage 0...10 V	Analog, voltage 0...10 V	Analog, voltage 0...10 V	
Switching output	—	—	—	
Connection	Connector, M12x1-Male, 4-pin	Connector, M12x1-Male, 4-pin	Connector, M12x1-Male, 4-pin	
Process connection	R 1/4"	R 1/4"	R 1/4"	
Process connection material	Stainless steel (1.4301)	Stainless steel (1.4301)	Stainless steel (1.4301)	
Gasket, material	Fluoroelastomer	Fluoroelastomer	Fluoroelastomer	
Housing material	Stainless steel (1.4301)	Stainless steel (1.4301)	Stainless steel (1.4301)	
Media temperature	-40...125 °C	-40...125 °C	-40...125 °C	
Ambient temperature	-40...85 °C	-40...85 °C	-40...85 °C	
cal_protection_type_iec_60529	IP67, IP69k	IP67, IP69k	IP67, IP69k	
Approval/Conformity	CE, cULus, EAC, WEEE,	CE, cULus, EAC, WEEE,	CE, cULus, EAC, WEEE,	
Productview	Page 370	Page 370	Page 370	



	BSP00KK BSP B400-KV004-A04A1A-S4	BSP00KL BSP B600-KV004-A04A1A-S4	BSP00J4 BSP B002-HV004-A06A1A-S4	BSP00J2 BSP V002-HV004-A06A1A-S4	BSP00J5 BSP B005-HV004-A06A1A-S4
	0...400 bar	0...600 bar	0...2 bar	-1...2 bar	0...5 bar
	±0.5 % FSO BFSL	±0.5 % FSO BFSL	±0.5 % FSO BFSL	±0.5 % FSO BFSL	±0.5 % FSO BFSL
	1200 bar	1200 bar	4 bar	4 bar	12 bar
	1500.00 bar	1800.00 bar	10.00 bar	10.00 bar	15.00 bar
	14...30 VDC	14...30 VDC	8...32 VDC	8...32 VDC	8...32 VDC
	—	—	—	—	—
	Analog, voltage 0...10 V	Analog, voltage 0...10 V	Analog, current 4...20 mA	Analog, current 4...20 mA	Analog, current 4...20 mA
	—	—	—	—	—
	Connector, M12x1-Male, 4-pin	Connector, M12x1-Male, 4-pin	Connector, M12x1-Male, 4-pin	Connector, M12x1-Male, 4-pin	Connector, M12x1-Male, 4-pin
	R 1/4"	R 1/4"	G 1/2" (DIN 3852)	G 1/2" (DIN 3852)	G 1/2" (DIN 3852)
	Stainless steel (1.4571)	Stainless steel (1.4571)	Stainless steel (1.4301)	Stainless steel (1.4301)	Stainless steel (1.4301)
	without, welded	without, welded	Fluoroelastomer	Fluoroelastomer	Fluoroelastomer
	Stainless steel (1.4301)	Stainless steel (1.4301)	Stainless steel (1.4301)	Stainless steel (1.4301)	Stainless steel (1.4301)
	-40...125 °C	-40...125 °C	-40...125 °C	-40...125 °C	-40...125 °C
	-40...85 °C	-40...85 °C	-40...85 °C	-40...85 °C	-40...85 °C
	IP67, IP69k	IP67, IP69k	IP67, IP69k	IP67, IP69k	IP67, IP69k
	CE, cULus, EAC, WEEE,	CE, cULus, EAC, WEEE,	CE, cULus, EAC, WEEE,	CE, cULus, EAC, WEEE,	CE, cULus, EAC, WEEE,
	Page 371	Page 371	Page 368	Page 368	Page 368



	BSP00J6 BSP B010-HV004-A06A1A-S4	BSP00J3 BSP V010-HV004-A06A1A-S4	BSP00J7 BSP B020-HV004-A06A1A-S4	
Measuring range	0...10 bar	-1...10 bar	0...20 bar	
Accuracy	±0.5 % FSO BFSL	±0.5 % FSO BFSL	±0.5 % FSO BFSL	
Overload pressure	20 bar	20 bar	50 bar	
Burst pressure	35.00 bar	35.00 bar	70.00 bar	
Operating voltage U _b	8...32 VDC	8...32 VDC	8...32 VDC	
Interface	—	—	—	
Analog output	Analog, current 4...20 mA	Analog, current 4...20 mA	Analog, current 4...20 mA	
Switching output	—	—	—	
Connection	Connector, M12x1-Male, 4-pin	Connector, M12x1-Male, 4-pin	Connector, M12x1-Male, 4-pin	
Process connection	G 1/2" (DIN 3852)	G 1/2" (DIN 3852)	G 1/2" (DIN 3852)	
Process connection material	Stainless steel (1.4301)	Stainless steel (1.4301)	Stainless steel (1.4301)	
Gasket, material	Fluoroelastomer	Fluoroelastomer	Fluoroelastomer	
Housing material	Stainless steel (1.4301)	Stainless steel (1.4301)	Stainless steel (1.4301)	
Media temperature	-40...125 °C	-40...125 °C	-40...125 °C	
Ambient temperature	-40...85 °C	-40...85 °C	-40...85 °C	
cal_protection_type_iec_60529	IP67, IP69k	IP67, IP69k	IP67, IP69k	
Approval/Conformity	CE, cULus, EAC, WEEE,	CE, cULus, EAC, WEEE,	CE, cULus, EAC, WEEE,	
Productview	Page 368	Page 368	Page 368	



	BSP00J8 BSP B050-HV004-A06A1A-S4	BSP00FT BSP B100-HV004-A06A1A-S4	BSP00FU BSP B160-HV004-A06A1A-S4	BSP00J9 BSP B250-HV004-A06A1A-S4	BSP00JA BSP B400-HV004-A06A1A-S4
	0...50 bar	0...100 bar	0...160 bar	0...250 bar	0...400 bar
	±0.5 % FSO BFSL	±0.5 % FSO BFSL	±0.5 % FSO BFSL	±0.5 % FSO BFSL	±0.5 % FSO BFSL
	120 bar	200 bar	400 bar	400 bar	1200 bar
	150.00 bar	300.00 bar	500.00 bar	750.00 bar	1500.00 bar
	8...32 VDC	8...32 VDC	8...32 VDC	8...32 VDC	8...32 VDC
	—	—	—	—	—
	Analog, current 4...20 mA	Analog, current 4...20 mA	Analog, current 4...20 mA	Analog, current 4...20 mA	Analog, current 4...20 mA
	—	—	—	—	—
	Connector, M12x1-Male, 4-pin	Connector, M12x1-Male, 4-pin	Connector, M12x1-Male, 4-pin	Connector, M12x1-Male, 4-pin	Connector, M12x1-Male, 4-pin
	G 1/2" (DIN 3852)	G 1/2" (DIN 3852)	G 1/2" (DIN 3852)	G 1/2" (DIN 3852)	G 1/2" (DIN 3852)
	Stainless steel (1.4301)	Stainless steel (1.4301)	Stainless steel (1.4301)	Stainless steel (1.4301)	Stainless steel (1.4571)
	Fluoroelastomer	Fluoroelastomer	Fluoroelastomer	Fluoroelastomer	without, welded
	Stainless steel (1.4301)	Stainless steel (1.4301)	Stainless steel (1.4301)	Stainless steel (1.4301)	Stainless steel (1.4301)
	-40...125 °C	-40...125 °C	-40...125 °C	-40...125 °C	-40...125 °C
	-40...85 °C	-40...85 °C	-40...85 °C	-40...85 °C	-40...85 °C
	IP67, IP69k	IP67, IP69k	IP67, IP69k	IP67, IP69k	IP67, IP69k
	CE, cULus, EAC, WEEE,	CE, cULus, EAC, WEEE,	CE, cULus, EAC, WEEE,	CE, cULus, EAC, WEEE,	CE, cULus, EAC, WEEE,
	Page 368	Page 368	Page 368	Page 368	Page 368



	BSP00JC BSP B600-HV004-A06A1A-S4	BSP00FZ BSP B002-DV004-A06A1A-S4	BSP00FW BSP V002-DV004-A06A1A-S4	
Measuring range	0...600 bar	0...2 bar	-1...2 bar	
Accuracy	±0.5 % FSO BFSL	±0.5 % FSO BFSL	±0.5 % FSO BFSL	
Overload pressure	1200 bar	4 bar	4 bar	
Burst pressure	1800.00 bar	10.00 bar	10.00 bar	
Operating voltage U _b	8...32 VDC	8...32 VDC	8...32 VDC	
Interface	—	—	—	
Analog output	Analog, current 4...20 mA	Analog, current 4...20 mA	Analog, current 4...20 mA	
Switching output	—	—	—	
Connection	Connector, M12x1-Male, 4-pin	Connector, M12x1-Male, 4-pin	Connector, M12x1-Male, 4-pin	
Process connection	G 1/2" (DIN 3852)	G 1/4" (DIN 3852)	G 1/4" (DIN 3852)	
Process connection material	Stainless steel (1.4571)	Stainless steel (1.4301)	Stainless steel (1.4301)	
Gasket, material	without, welded	Fluoroelastomer	Fluoroelastomer	
Housing material	Stainless steel (1.4301)	Stainless steel (1.4301)	Stainless steel (1.4301)	
Media temperature	-40...125 °C	-40...125 °C	-40...125 °C	
Ambient temperature	-40...85 °C	-40...85 °C	-40...85 °C	
cal_protection_type_iec_60529	IP67, IP69k	IP67, IP69k	IP67, IP69k	
Approval/Conformity	CE, cULus, EAC, WEEE,	CE, cULus, EAC, WEEE,	CE, cULus, EAC, WEEE,	
Productview	Page 368	Page 368	Page 368	



	BSP00H0 BSP B005-DV004-A06A1A-S4	BSP00H1 BSP B010-DV004-A06A1A-S4	BSP00FY BSP V010-DV004-A06A1A-S4	BSP00H2 BSP B020-DV004-A06A1A-S4	BSP00H3 BSP B050-DV004-A06A1A-S4
	0...5 bar	0...10 bar	-1...10 bar	0...20 bar	0...50 bar
	±0.5 % FSO BFSL	±0.5 % FSO BFSL	±0.5 % FSO BFSL	±0.5 % FSO BFSL	±0.5 % FSO BFSL
	12 bar	20 bar	20 bar	50 bar	120 bar
	15.00 bar	35.00 bar	35.00 bar	70.00 bar	150.00 bar
	8...32 VDC	8...32 VDC	8...32 VDC	8...32 VDC	8...32 VDC
	—	—	—	—	—
	Analog, current 4...20 mA	Analog, current 4...20 mA	Analog, current 4...20 mA	Analog, current 4...20 mA	Analog, current 4...20 mA
	—	—	—	—	—
	Connector, M12x1-Male, 4-pin	Connector, M12x1-Male, 4-pin	Connector, M12x1-Male, 4-pin	Connector, M12x1-Male, 4-pin	Connector, M12x1-Male, 4-pin
	G 1/4" (DIN 3852)	G 1/4" (DIN 3852)	G 1/4" (DIN 3852)	G 1/4" (DIN 3852)	G 1/4" (DIN 3852)
	Stainless steel (1.4301)	Stainless steel (1.4301)	Stainless steel (1.4301)	Stainless steel (1.4301)	Stainless steel (1.4301)
	Fluoroelastomer	Fluoroelastomer	Fluoroelastomer	Fluoroelastomer	Fluoroelastomer
	Stainless steel (1.4301)	Stainless steel (1.4301)	Stainless steel (1.4301)	Stainless steel (1.4301)	Stainless steel (1.4301)
	-40...125 °C	-40...125 °C	-40...125 °C	-40...125 °C	-40...125 °C
	-40...85 °C	-40...85 °C	-40...85 °C	-40...85 °C	-40...85 °C
	IP67, IP69k	IP67, IP69k	IP67, IP69k	IP67, IP69k	IP67, IP69k
	CE, cULus, EAC, WEEE,	CE, cULus, EAC, WEEE,	CE, cULus, EAC, WEEE,	CE, cULus, EAC, WEEE,	CE, cULus, EAC, WEEE,
	Page 368	Page 368	Page 368	Page 368	Page 368

Sensors

RFID

Machine Vision and
Optical Identification

Human Machine
Interfaces

Safety

Industrial Networking

Software and
System Solutions

Power Supply

Connectivity

Accessories



	BSP00H4 BSP B100-DV004-A06A1A-S4	BSP00H5 BSP B250-DV004-A06A1A-S4	BSP00F3 BSP B400-DV004-A06A1A-S4	
Measuring range	0...100 bar	0...250 bar	0...400 bar	
Accuracy	±0.5 % FSO BFSL	±0.5 % FSO BFSL	±0.5 % FSO BFSL	
Overload pressure	200 bar	400 bar	1200 bar	
Burst pressure	300.00 bar	750.00 bar	1500.00 bar	
Operating voltage U _b	8...32 VDC	8...32 VDC	8...32 VDC	
Interface	—	—	—	
Analog output	Analog, current 4...20 mA	Analog, current 4...20 mA	Analog, current 4...20 mA	
Switching output	—	—	—	
Connection	Connector, M12x1-Male, 4-pin	Connector, M12x1-Male, 4-pin	Connector, M12x1-Male, 4-pin	
Process connection	G 1/4" (DIN 3852)	G 1/4" (DIN 3852)	G 1/4" (DIN 3852)	
Process connection material	Stainless steel (1.4301)	Stainless steel (1.4301)	Stainless steel (1.4571)	
Gasket, material	Fluoroelastomer	Fluoroelastomer	without, welded	
Housing material	Stainless steel (1.4301)	Stainless steel (1.4301)	Stainless steel (1.4301)	
Media temperature	-40...125 °C	-40...125 °C	-40...125 °C	
Ambient temperature	-40...85 °C	-40...85 °C	-40...85 °C	
cal_protection_type_iec_60529	IP67, IP69k	IP67, IP69k	IP67, IP69k	
Approval/Conformity	CE, cULus, EAC, WEEE,	CE, cULus, EAC, WEEE,	CE, cULus, EAC, WEEE,	
Productview	Page 368	Page 368	Page 369	



	BSP00H6 BSP B600-DV004-A06A1A-S4	BSP00H9 BSP B002-FV004-A06A1A-S4	BSP00H7 BSP V002-FV004-A06A1A-S4	BSP00HA BSP B005-FV004-A06A1A-S4	BSP00HC BSP B010-FV004-A06A1A-S4
	0...600 bar	0...2 bar	-1...2 bar	0...5 bar	0...10 bar
	±0.5 % FSO BFSL	±0.5 % FSO BFSL	±0.5 % FSO BFSL	±0.5 % FSO BFSL	±0.5 % FSO BFSL
	1200 bar	4 bar	4 bar	10 bar	20 bar
	1800.00 bar	10.00 bar	10.00 bar	15.00 bar	35.00 bar
	8...32 VDC	8...32 VDC	8...32 VDC	8...32 VDC	8...32 VDC
	—	—	—	—	—
	Analog, current 4...20 mA	Analog, current 4...20 mA	Analog, current 4...20 mA	Analog, current 4...20 mA	Analog, current 4...20 mA
	—	—	—	—	—
	Connector, M12x1-Male, 4-pin	Connector, M12x1-Male, 4-pin	Connector, M12x1-Male, 4-pin	Connector, M12x1-Male, 4-pin	Connector, M12x1-Male, 4-pin
	G 1/4" (DIN 3852)	NPT 1/4"	NPT 1/4"	NPT 1/4"	NPT 1/4"
	Stainless steel (1.4571)	Stainless steel (1.4301)	Stainless steel (1.4301)	Stainless steel (1.4301)	Stainless steel (1.4301)
	without, welded	Fluoroelastomer	Fluoroelastomer	Fluoroelastomer	Fluoroelastomer
	Stainless steel (1.4301)	Stainless steel (1.4301)	Stainless steel (1.4301)	Stainless steel (1.4301)	Stainless steel (1.4301)
	-40...125 °C	-40...125 °C	-40...125 °C	-40...125 °C	-40...125 °C
	-40...85 °C	-40...85 °C	-40...85 °C	-40...85 °C	-40...85 °C
	IP67, IP69k	IP67, IP69k	IP67, IP69k	IP67, IP69k	IP67, IP69k
	CE, cULus, EAC, WEEE,	CE, cULus, EAC, WEEE,	CE, cULus, EAC, WEEE,	CE, cULus, EAC, WEEE,	CE, cULus, EAC, WEEE,
	Page 369	Page 369	Page 370	Page 369	Page 369



	BSP00H8 BSP V010-FV004-A06A1A-S4	BSP00HE BSP B020-FV004-A06A1A-S4	BSP00HF BSP B050-FV004-A06A1A-S4	
Measuring range	-1...10 bar	0...20 bar	0...50 bar	
Accuracy	±0.5 % FSO BFSL	±0.5 % FSO BFSL	±0.5 % FSO BFSL	
Overload pressure	20 bar	50 bar	120 bar	
Burst pressure	35.00 bar	70.00 bar	150.00 bar	
Operating voltage U _b	8...32 VDC	8...32 VDC	8...32 VDC	
Interface	—	—	—	
Analog output	Analog, current 4...20 mA	Analog, current 4...20 mA	Analog, current 4...20 mA	
Switching output	—	—	—	
Connection	Connector, M12x1-Male, 4-pin	Connector, M12x1-Male, 4-pin	Connector, M12x1-Male, 4-pin	
Process connection	NPT 1/4"	NPT 1/4"	NPT 1/4"	
Process connection material	Stainless steel (1.4301)	Stainless steel (1.4301)	Stainless steel (1.4301)	
Gasket, material	Fluoroelastomer	Fluoroelastomer	Fluoroelastomer	
Housing material	Stainless steel (1.4301)	Stainless steel (1.4301)	Stainless steel (1.4301)	
Media temperature	-40...125 °C	-40...125 °C	-40...125 °C	
Ambient temperature	-40...85 °C	-40...85 °C	-40...85 °C	
cal_protection_type_iec_60529	IP67, IP69k	IP67, IP69k	IP67, IP69k	
Approval/Conformity	CE, cULus, EAC, WEEE,	CE, cULus, EAC, WEEE,	CE, cULus, EAC, WEEE,	
Productview	Page 370	Page 369	Page 369	



	BSP00HH BSP B100-FV004-A06A1A-S4	BSP00HJ BSP B250-FV004-A06A1A-S4	BSP00HK BSP B400-FV004-A06A1A-S4	BSP00HL BSP B600-FV004-A06A1A-S4	BSP00HP BSP B002-KV004-A06A1A-S4
	0...100 bar	0...250 bar	0...400 bar	0...600 bar	0...2 bar
	±0.5 % FSO BFSL	±0.5 % FSO BFSL	±0.5 % FSO BFSL	±0.5 % FSO BFSL	±0.5 % FSO BFSL
	200 bar	400 bar	1200 bar	1200 bar	4 bar
	300.00 bar	750.00 bar	1500.00 bar	1800.00 bar	10.00 bar
	8...32 VDC	8...32 VDC	8...32 VDC	8...32 VDC	8...32 VDC
	—	—	—	—	—
	Analog, current 4...20 mA	Analog, current 4...20 mA	Analog, current 4...20 mA	Analog, current 4...20 mA	Analog, current 4...20 mA
	—	—	—	—	—
	Connector, M12x1-Male, 4-pin	Connector, M12x1-Male, 4-pin	Connector, M12x1-Male, 4-pin	Connector, M12x1-Male, 4-pin	Connector, M12x1-Male, 4-pin
	NPT 1/4"	NPT 1/4"	NPT 1/4"	NPT 1/4"	R 1/4"
	Stainless steel (1.4301)	Stainless steel (1.4301)	Stainless steel (1.4571)	Stainless steel (1.4571)	Stainless steel (1.4301)
	Fluoroelastomer	Fluoroelastomer	without, welded	without, welded	Fluoroelastomer
	Stainless steel (1.4301)	Stainless steel (1.4301)	Stainless steel (1.4301)	Stainless steel (1.4301)	Stainless steel (1.4301)
	-40...125 °C	-40...125 °C	-40...125 °C	-40...125 °C	-40...125 °C
	-40...85 °C	-40...85 °C	-40...85 °C	-40...85 °C	-40...85 °C
	IP67, IP69k	IP67, IP69k	IP67, IP69k	IP67, IP69k	IP67, IP69k
	CE, cULus, EAC, WEEE,	CE, cULus, EAC, WEEE,	CE, cULus, EAC, WEEE,	CE, cULus, EAC, WEEE,	CE, cULus, EAC, WEEE,
	Page 369	Page 369	Page 370	Page 370	Page 370



	BSP00HM BSP V002-KV004-A06A1A-S4	BSP00HR BSP B005-KV004-A06A1A-S4	BSP00HT BSP B010-KV004-A06A1A-S4	
Measuring range	-1...2 bar	0...5 bar	0...10 bar	
Accuracy	±0.5 % FSO BFSL	±0.5 % FSO BFSL	±0.5 % FSO BFSL	
Overload pressure	4 bar	12 bar	20 bar	
Burst pressure	10.00 bar	15.00 bar	35.00 bar	
Operating voltage U _b	8...32 VDC	8...32 VDC	8...32 VDC	
Interface	—	—	—	
Analog output	Analog, current 4...20 mA	Analog, current 4...20 mA	Analog, current 4...20 mA	
Switching output	—	—	—	
Connection	Connector, M12x1-Male, 4-pin	Connector, M12x1-Male, 4-pin	Connector, M12x1-Male, 4-pin	
Process connection	R 1/4"	R 1/4"	R 1/4"	
Process connection material	Stainless steel (1.4301)	Stainless steel (1.4301)	Stainless steel (1.4301)	
Gasket, material	Fluoroelastomer	Fluoroelastomer	Fluoroelastomer	
Housing material	Stainless steel (1.4301)	Stainless steel (1.4301)	Stainless steel (1.4301)	
Media temperature	-40...125 °C	-40...125 °C	-40...125 °C	
Ambient temperature	-40...85 °C	-40...85 °C	-40...85 °C	
cal_protection_type_iec_60529	IP67, IP69k	IP67, IP69k	IP67, IP69k	
Approval/Conformity	CE, cULus, EAC, WEEE,	CE, cULus, EAC, WEEE,	CE, cULus, EAC, WEEE,	
Productview	Page 370	Page 370	Page 370	



	BSP00HN BSP V010-KV004-A06A1A-S4	BSP00HU BSP B020-KV004-A06A1A-S4	BSP00HW BSP B050-KV004-A06A1A-S4	BSP00HY BSP B100-KV004-A06A1A-S4	BSP00HZ BSP B250-KV004-A06A1A-S4
	-1...10 bar	0...20 bar	0...50 bar	0...100 bar	0...250 bar
	±0.5 % FSO BFSL	±0.5 % FSO BFSL	±0.5 % FSO BFSL	±0.5 % FSO BFSL	±0.5 % FSO BFSL
	20 bar	50 bar	120 bar	200 bar	400 bar
	35.00 bar	70.00 bar	150.00 bar	300.00 bar	750.00 bar
	8...32 VDC	8...32 VDC	8...32 VDC	8...32 VDC	8...32 VDC
	—	—	—	—	—
	Analog, current 4...20 mA	Analog, current 4...20 mA	Analog, current 4...20 mA	Analog, current 4...20 mA	Analog, current 4...20 mA
	—	—	—	—	—
	Connector, M12x1-Male, 4-pin	Connector, M12x1-Male, 4-pin	Connector, M12x1-Male, 4-pin	Connector, M12x1-Male, 4-pin	Connector, M12x1-Male, 4-pin
	R 1/4"	R 1/4"	R 1/4"	R 1/4"	R 1/4"
	Stainless steel (1.4301)	Stainless steel (1.4301)	Stainless steel (1.4301)	Stainless steel (1.4301)	Stainless steel (1.4301)
	Fluoroelastomer	Fluoroelastomer	Fluoroelastomer	Fluoroelastomer	Fluoroelastomer
	Stainless steel (1.4301)	Stainless steel (1.4301)	Stainless steel (1.4301)	Stainless steel (1.4301)	Stainless steel (1.4301)
	-40...125 °C	-40...125 °C	-40...125 °C	-40...125 °C	-40...125 °C
	-40...85 °C	-40...85 °C	-40...85 °C	-40...85 °C	-40...85 °C
	IP67, IP69k	IP67, IP69k	IP67, IP69k	IP67, IP69k	IP67, IP69k
	CE, cULus, EAC, WEEE,	CE, cULus, EAC, WEEE,	CE, cULus, EAC, WEEE,	CE, cULus, EAC, WEEE,	CE, cULus, EAC, WEEE,
	Page 370	Page 370	Page 370	Page 370	Page 370



	BSP00.J0 BSP B400-KV004-A06A1A-S4	BSP00.J1 BSP B600-KV004-A06A1A-S4	BSP00.W2 BSP B001-ZT004-A06A1A-S4-006	
Measuring range	0...400 bar	0...600 bar	0...1 bar	
Accuracy	±0.5 % FSO BFSL	±0.5 % FSO BFSL	±0.18 % FSO BFSL	
Overload pressure	1200 bar	1200 bar	5 bar	
Burst pressure	1500.00 bar	1800.00 bar	7.50 bar	
Operating voltage U _b	8...32 VDC	8...32 VDC	8...32 VDC	
Interface	—	—	—	
Analog output	Analog, current 4...20 mA	Analog, current 4...20 mA	Analog, current 4...20 mA	
Switching output	—	—	—	
Connection	Connector, M12x1-Male, 4-pin	Connector, M12x1-Male, 4-pin	Connector, M12x1-Male, 4-pin	
Process connection	R 1/4"	R 1/4"	1 1/2" Tri Clamp	
Process connection material	Stainless steel (1.4571)	Stainless steel (1.4571)	Stainless steel (1.4404)	
Gasket, material	without, welded	without, welded	without, welded	
Housing material	Stainless steel (1.4301)	Stainless steel (1.4301)	Stainless steel (1.4404)	
Media temperature	-40...125 °C	-40...125 °C	-10...125 °C	
Ambient temperature	-40...85 °C	-40...85 °C	-40...85 °C	
cal_protection_type_iec_60529	IP67, IP69k	IP67, IP69k	IP69K	
Approval/Conformity	CE, cULus, EAC, WEEE,	CE, cULus, EAC, WEEE,	CE, WEEE, EAC	
Productview	Page 371	Page 371	Page 371	



	BSP00W3 BSP B002-ZT004-A06A1A-S4-006	BSP00W4 BSP M100-ZT004-A06A1A-S4-006	BSP00W5 BSP M250-ZT004-A06A1A-S4-006	BSP00W6 BSP M500-ZT004-A06A1A-S4-006	BSP00W7 BSP M750-ZT004-A06A1A-S4-006
	0...2 bar	0 bar...100 mbar	0 bar...250 mbar	0 bar...500 mbar	0 bar...750 mbar
	±0.18 % FSO BFSL	±0.18 % FSO BFSL	±0.18 % FSO BFSL	±0.18 % FSO BFSL	±0.18 % FSO BFSL
	10 bar	0.5 bar	1 bar	5 bar	5 bar
	15.00 bar	1.50 bar	1.50 bar	7.50 bar	7.50 bar
	8...32 VDC	8...32 VDC	8...32 VDC	8...32 VDC	8...32 VDC
	—	—	—	—	—
	Analog, current 4...20 mA	Analog, current 4...20 mA	Analog, current 4...20 mA	Analog, current 4...20 mA	Analog, current 4...20 mA
	—	—	—	—	—
	Connector, M12x1-Male, 4-pin	Connector, M12x1-Male, 4-pin	Connector, M12x1-Male, 4-pin	Connector, M12x1-Male, 4-pin	Connector, M12x1-Male, 4-pin
	1 1/2" Tri Clamp	1 1/2" Tri Clamp	1 1/2" Tri Clamp	1 1/2" Tri Clamp	1 1/2" Tri Clamp
	Stainless steel (1.4404)	Stainless steel (1.4404)	Stainless steel (1.4404)	Stainless steel (1.4404)	Stainless steel (1.4404)
	without, welded	without, welded	without, welded	without, welded	without, welded
	Stainless steel (1.4404)	Stainless steel (1.4404)	Stainless steel (1.4404)	Stainless steel (1.4404)	Stainless steel (1.4404)
	-10...125 °C	-10...125 °C	-10...125 °C	-10...125 °C	-10...125 °C
	-40...85 °C	-40...85 °C	-40...85 °C	-40...85 °C	-40...85 °C
	IP67, IP69k	IP67, IP69k	IP67, IP69k	IP67, IP69k	IP69K
	CE, WEEE, EAC	CE, WEEE, EAC	CE, WEEE, EAC	CE, WEEE, EAC	CE, WEEE, EAC
	Page 371	Page 371	Page 371	Page 371	Page 371



	BSP00PL BSP B002-DV004-D06S1A-S4	BSP00PJ BSP V002-DV004-D06S1A-S4	BSP00PM BSP B005-DV004-D06S1A-S4	
Measuring range	0...2 bar	-1...2 bar	0...5 bar	
Accuracy	±0.5 % FSO BFSL	±0.5 % FSO BFSL	±0.5 % FSO BFSL	
Overload pressure	5 bar	5 bar	12 bar	
Burst pressure	10.00 bar	10.00 bar	15.00 bar	
Operating voltage U _b	18...30 VDC	18...30 VDC	18...30 VDC	
Interface	IO-Link 1.1	IO-Link 1.1	IO-Link 1.1	
Analog output	—	—	—	
Switching output	PNP normally open/normally closed (NO/NC)	PNP normally open/normally closed (NO/NC)	PNP normally open/normally closed (NO/NC)	
Connection	Connector, M12x1-Male, 4-pin	Connector, M12x1-Male, 4-pin	Connector, M12x1-Male, 4-pin	
Process connection	G 1/4" (DIN 3852)	G 1/4" (DIN 3852)	G 1/4" (DIN 3852)	
Process connection material	Stainless steel (1.4301)	Stainless steel (1.4301)	Stainless steel (1.4301)	
Gasket, material	Fluoroelastomer	Fluoroelastomer	Fluoroelastomer	
Housing material	Stainless steel (1.4301)	Stainless steel (1.4301)	Stainless steel (1.4301)	
Media temperature	-40...125 °C	-40...125 °C	-40...125 °C	
Ambient temperature	-25...85 °C	-25...85 °C	-25...85 °C	
cal_protection_type_iec_60529	IP67, IP69k	IP67, IP69k	IP67, IP69k	
Approval/Conformity	CE, cULus, EAC, WEEE,	CE, cULus, EAC, WEEE,	CE, cULus, EAC, WEEE,	
Productview	Page 368	Page 368	Page 368	



	BSP00PN BSP B010-DV004-D06S1A-S4	BSP00PK BSP V010-DV004-D06S1A-S4	BSP00PP BSP B020-DV004-D06S1A-S4	BSP00PR BSP B050-DV004-D06S1A-S4	BSP00PT BSP B100-DV004-D06S1A-S4
	0...10 bar	-1...10 bar	0...20 bar	0...50 bar	0...100 bar
	±0.5 % FSO BFSL	±0.5 % FSO BFSL	±0.5 % FSO BFSL	±0.5 % FSO BFSL	±0.5 % FSO BFSL
	20 bar	20 bar	50 bar	120 bar	200 bar
	35.00 bar	35.00 bar	70.00 bar	150.00 bar	300.00 bar
	18...30 VDC	18...30 VDC	18...30 VDC	18...30 VDC	18...30 VDC
	IO-Link 1.1	IO-Link 1.1	IO-Link 1.1	IO-Link 1.1	IO-Link 1.1
	—	—	—	—	—
	PNP normally open/normally closed (NO/NC)	PNP normally open/normally closed (NO/NC)	PNP normally open/normally closed (NO/NC)	PNP normally open/normally closed (NO/NC)	PNP normally open/normally closed (NO/NC)
	Connector, M12x1-Male, 4-pin	Connector, M12x1-Male, 4-pin	Connector, M12x1-Male, 4-pin	Connector, M12x1-Male, 4-pin	Connector, M12x1-Male, 4-pin
	G 1/4" (DIN 3852)	G 1/4" (DIN 3852)	G 1/4" (DIN 3852)	G 1/4" (DIN 3852)	G 1/4" (DIN 3852)
	Stainless steel (1.4301)	Stainless steel (1.4301)	Stainless steel (1.4301)	Stainless steel (1.4301)	Stainless steel (1.4301)
	Fluoroelastomer	Fluoroelastomer	Fluoroelastomer	Fluoroelastomer	Fluoroelastomer
	Stainless steel (1.4301)	Stainless steel (1.4301)	Stainless steel (1.4301)	Stainless steel (1.4301)	Stainless steel (1.4301)
	-40...125 °C	-40...125 °C	-40...125 °C	-40...125 °C	-40...125 °C
	-25...85 °C	-25...85 °C	-25...85 °C	-25...85 °C	-25...85 °C
	IP67, IP69k	IP67, IP69k	IP67, IP69k	IP67, IP69k	IP67, IP69k
	CE, cULus, EAC, WEEE,	CE, cULus, EAC, WEEE,	CE, cULus, EAC, WEEE,	CE, cULus, EAC, WEEE,	CE, cULus, EAC, WEEE,
	Page 368	Page 368	Page 368	Page 368	Page 368



	BSP00PU BSP B250-DV004-D06S1A-S4	BSP00PW BSP B400-DV004-D06S1A-S4	BSP00PY BSP B600-DV004-D06S1A-S4	
Measuring range	0...250 bar	0...400 bar	0...600 bar	
Accuracy	±0.5 % FSO BFSL	±0.5 % FSO BFSL	±0.5 % FSO BFSL	
Overload pressure	400 bar	1200 bar	1200 bar	
Burst pressure	750.00 bar	1500.00 bar	1800.00 bar	
Operating voltage U _b	18...30 VDC	18...30 VDC	18...30 VDC	
Interface	IO-Link 1.1	IO-Link 1.1	IO-Link 1.1	
Analog output	—	—	—	
Switching output	PNP normally open/normally closed (NO/NC)	PNP normally open/normally closed (NO/NC)	PNP normally open/normally closed (NO/NC)	
Connection	Connector, M12x1-Male, 4-pin	Connector, M12x1-Male, 4-pin	Connector, M12x1-Male, 4-pin	
Process connection	G 1/4" (DIN 3852)	G 1/4" (DIN 3852)	G 1/4" (DIN 3852)	
Process connection material	Stainless steel (1.4301)	Stainless steel (1.4571)	Stainless steel (1.4571)	
Gasket, material	Fluoroelastomer	without, welded	without, welded	
Housing material	Stainless steel (1.4301)	Stainless steel (1.4301)	Stainless steel (1.4301)	
Media temperature	-40...125 °C	-40...125 °C	-40...125 °C	
Ambient temperature	-25...85 °C	-25...85 °C	-25...85 °C	
cal_protection_type_iec_60529	IP67, IP69k	IP67, IP69k	IP67, IP69k	
Approval/Conformity	CE, cULus, EAC, WEEE,	CE, cULus, EAC, WEEE,	CE, cULus, EAC, WEEE,	
Productview	Page 368	Page 369	Page 369	



	BSP007 BSP B002-FV004-D06S1A-S4	BSP005 BSP V002-FV004-D06S1A-S4	BSP008 BSP B005-FV004-D06S1A-S4	BSP009 BSP B010-FV004-D06S1A-S4	BSP006 BSP V010-FV004-D06S1A-S4
	0...2 bar	-1...2 bar	0...5 bar	0...10 bar	-1...10 bar
	±0.5 % FSO BFSL	±0.5 % FSO BFSL	±0.5 % FSO BFSL	±0.5 % FSO BFSL	±0.5 % FSO BFSL
	5 bar	5 bar	12 bar	20 bar	20 bar
	10.00 bar	10.00 bar	15.00 bar	35.00 bar	35.00 bar
	18...30 VDC	18...30 VDC	18...30 VDC	18...30 VDC	18...30 VDC
	IO-Link 1.1	IO-Link 1.1	IO-Link 1.1	IO-Link 1.1	IO-Link 1.1
	—	—	—	—	—
	PNP normally open/normally closed (NO/NC)	PNP normally open/normally closed (NO/NC)	PNP normally open/normally closed (NO/NC)	PNP normally open/normally closed (NO/NC)	PNP normally open/normally closed (NO/NC)
	Connector, M12x1-Male, 4-pin	Connector, M12x1-Male, 4-pin	Connector, M12x1-Male, 4-pin	Connector, M12x1-Male, 4-pin	Connector, M12x1-Male, 4-pin
	NPT 1/4"	NPT 1/4"	NPT 1/4"	NPT 1/4"	NPT 1/4"
	Stainless steel (1.4301)	Stainless steel (1.4301)	Stainless steel (1.4301)	Stainless steel (1.4301)	Stainless steel (1.4301)
	Fluoroelastomer	Fluoroelastomer	Fluoroelastomer	Fluoroelastomer	Fluoroelastomer
	Stainless steel (1.4301)	Stainless steel (1.4301)	Stainless steel (1.4301)	Stainless steel (1.4301)	Stainless steel (1.4301)
	-40...125 °C	-40...125 °C	-40...125 °C	-40...125 °C	-40...125 °C
	-25...85 °C	-25...85 °C	-25...85 °C	-25...85 °C	-25...85 °C
	IP67, IP69k	IP67, IP69k	IP67, IP69k	IP67, IP69k	IP67, IP69k
	CE, cULus, EAC, WEEE,	CE, cULus, EAC, WEEE,	CE, cULus, EAC, WEEE,	CE, cULus, EAC, WEEE,	CE, cULus, EAC, WEEE,
	Page 369	Page 369	Page 369	Page 369	Page 369

Sensors

RFID

Machine Vision and Optical Identification

Human Machine Interfaces

Safety

Industrial Networking

Software and System Solutions

Power Supply

Connectivity

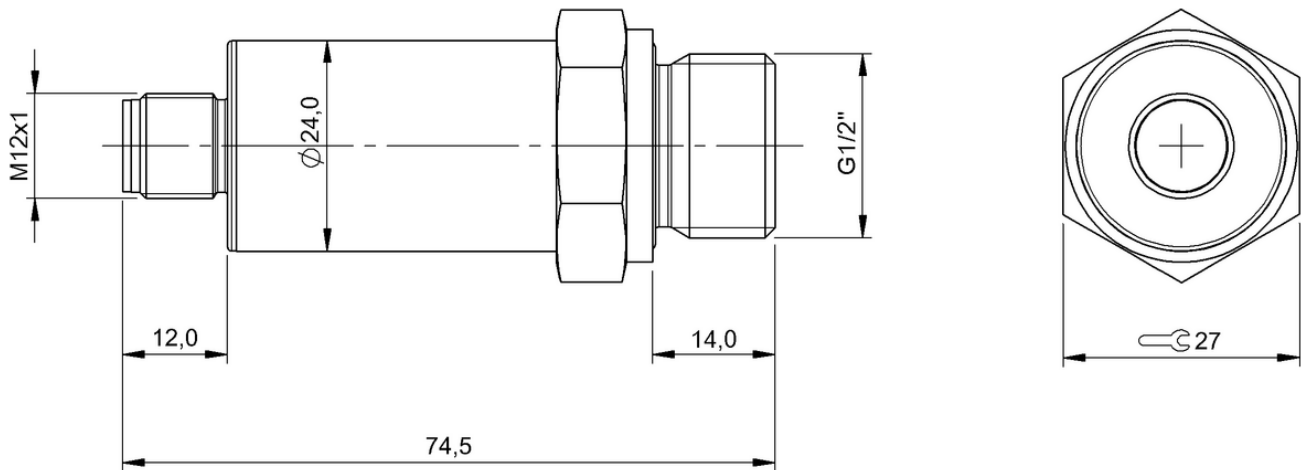
Accessories



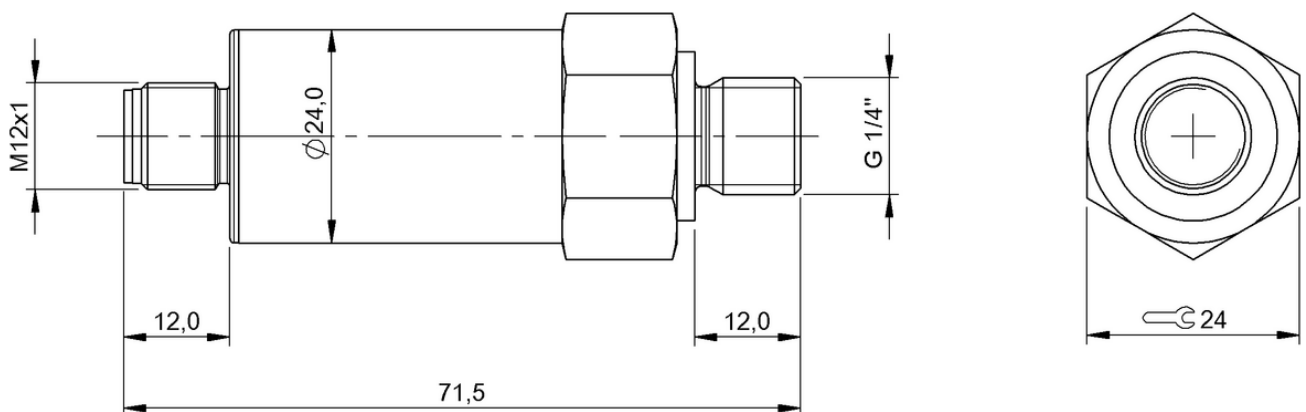
	BSP00TA BSP B020-FV004-D06S1A-S4	BSP00TC BSP B050-FV004-D06S1A-S4	BSP00TE BSP B100-FV004-D06S1A-S4	
Measuring range	0...20 bar	0...50 bar	0...100 bar	
Accuracy	±0.5 % FSO BFSL	±0.5 % FSO BFSL	±0.5 % FSO BFSL	
Overload pressure	50 bar	120 bar	200 bar	
Burst pressure	70.00 bar	150.00 bar	300.00 bar	
Operating voltage U _b	18...30 VDC	18...30 VDC	18...30 VDC	
Interface	IO-Link 1.1	IO-Link 1.1	IO-Link 1.1	
Analog output	—	—	—	
Switching output	PNP normally open/normally closed (NO/NC)	PNP normally open/normally closed (NO/NC)	PNP normally open/normally closed (NO/NC)	
Connection	Connector, M12x1-Male, 4-pin	Connector, M12x1-Male, 4-pin	Connector, M12x1-Male, 4-pin	
Process connection	NPT 1/4"	NPT 1/4"	NPT 1/4"	
Process connection material	Stainless steel (1.4301)	Stainless steel (1.4301)	Stainless steel (1.4301)	
Gasket, material	Fluoroelastomer	Fluoroelastomer	Fluoroelastomer	
Housing material	Stainless steel (1.4301)	Stainless steel (1.4301)	Stainless steel (1.4301)	
Media temperature	-40...125 °C	-40...125 °C	-40...125 °C	
Ambient temperature	-25...85 °C	-25...85 °C	-25...85 °C	
cal_protection_type_iec_60529	IP67, IP69k	IP67, IP69k	IP67, IP69k	
Approval/Conformity	CE, cULus, EAC, WEEE,	CE, cULus, EAC, WEEE,	CE, cULus, EAC, WEEE,	
Productview	Page 369	Page 369	Page 369	



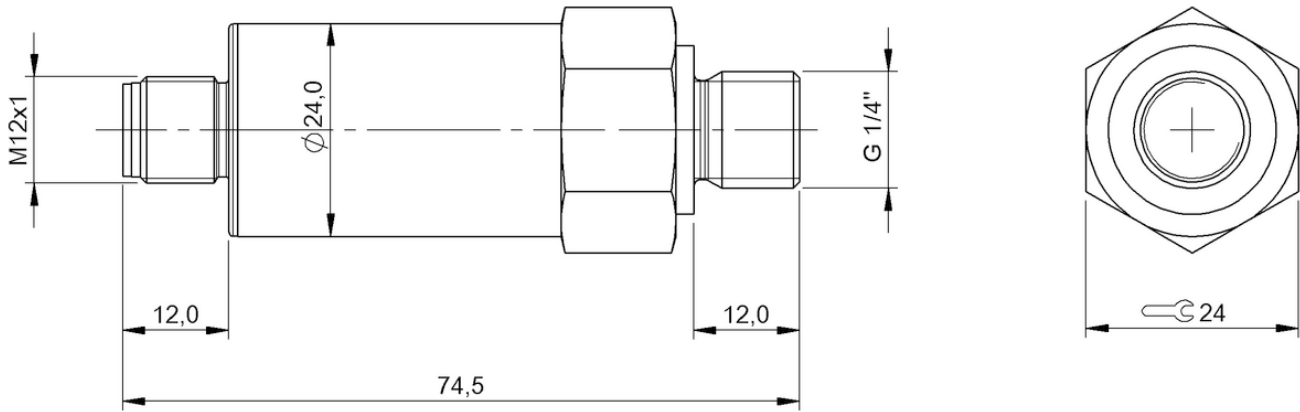
	BSP00TF BSP B250-FV004-D06S1A-S4	BSP00TH BSP B400-FV004-D06S1A-S4	BSP00TJ BSP B600-FV004-D06S1A-S4		
	0...250 bar	0...400 bar	0...600 bar		
	±0.5 % FSO BFSL	±0.5 % FSO BFSL	±0.5 % FSO BFSL		
	400 bar	1200 bar	1200 bar		
	750.00 bar	1500.00 bar	1800.00 bar		
	18...30 VDC	18...30 VDC	18...30 VDC		
	IO-Link 1.1	IO-Link 1.1	IO-Link 1.1		
	—	—	—		
	PNP normally open/normally closed (NO/NC)	PNP normally open/normally closed (NO/NC)	PNP normally open/normally closed (NO/NC)		
	Connector, M12x1-Male, 4-pin	Connector, M12x1-Male, 4-pin	Connector, M12x1-Male, 4-pin		
	NPT 1/4"	NPT 1/4"	NPT 1/4"		
	Stainless steel (1.4301)	Stainless steel (1.4571)	Stainless steel (1.4571)		
	Fluoroelastomer	without, welded	without, welded		
	Stainless steel (1.4301)	Stainless steel (1.4301)	Stainless steel (1.4301)		
	-40...125 °C	-40...125 °C	-40...125 °C		
	-25...85 °C	-25...85 °C	-25...85 °C		
	IP67, IP69k	IP67, IP69k	IP67, IP69k		
	CE, cULus, EAC, WEEE,	CE, cULus, EAC, WEEE,	CE, cULus, EAC, WEEE,		
	Page 369	Page 370	Page 370		



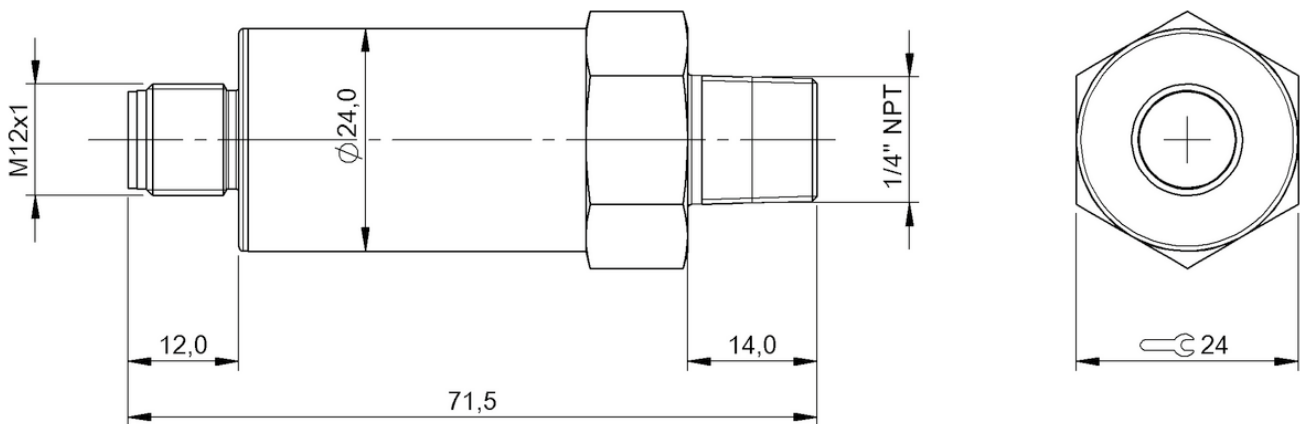
BSP00KP, BSP00KM, BSP00KR, BSP00KT, BSP00KN, BSP00KU, BSP00KW, BSP00KY, BSP00KZ, BSP00LO, BSP00L1, BSP00J4, BSP00J2, BSP00J5, BSP00J6, BSP00J3, BSP00J7, BSP00J8, BSP00FT, BSP00FU, BSP00J9, BSP00JA, BSP00JC



BSP00JH, BSP00JE, BSP00JJ, BSP00L8, BSP00JK, BSP00JF, BSP00JL, BSP00JM, BSP00JN, BSP00JP, BSP00FZ, BSP00FW, BSP00H0, BSP00H1, BSP00FY, BSP00H2, BSP00H3, BSP00H4, BSP00H5, BSP00PL, BSP00PJ, BSP00PM, BSP00PN, BSP00PK, BSP00PP, BSP00PR, BSP00PT, BSP00PU

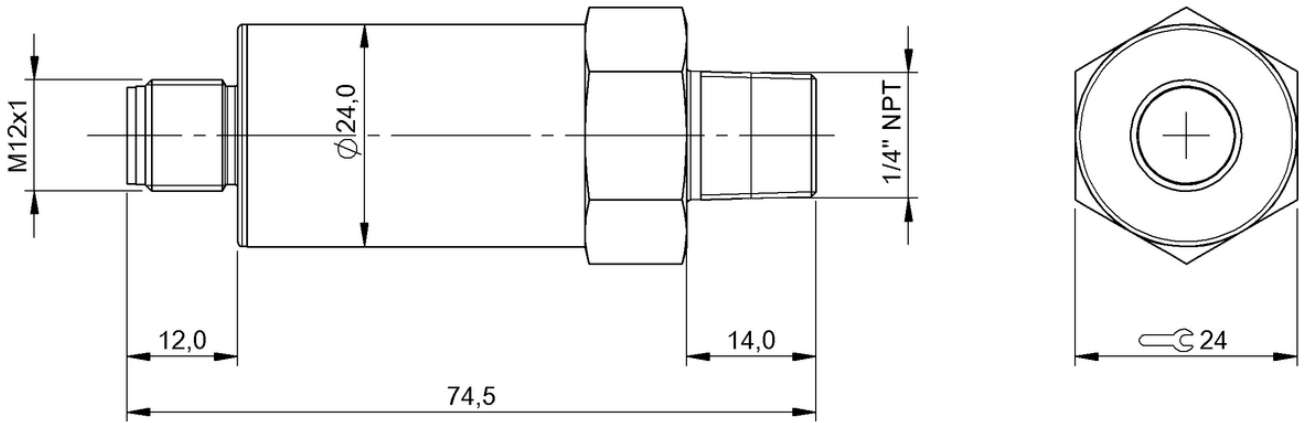


BSP00JR, BSP00JT, BSP00F3, BSP00H6, BSP00PW, BSP00PY

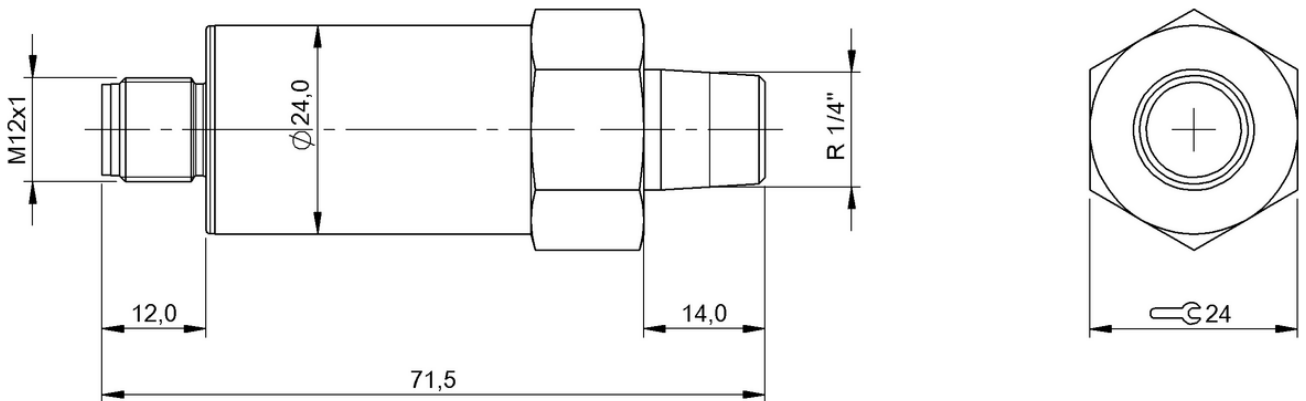


BSP00JY, BSP00JZ, BSP00K0, BSP00K1, BSP00K2, BSP00K3, BSP00K4, BSP00H9, BSP00HA, BSP00HC, BSP00HE, BSP00HF, BSP00HH, BSP00HJ, BSP00T7, BSP00T5, BSP00T8, BSP00T9, BSP00T6, BSP00TA, BSP00TC, BSP00TE, BSP00TF

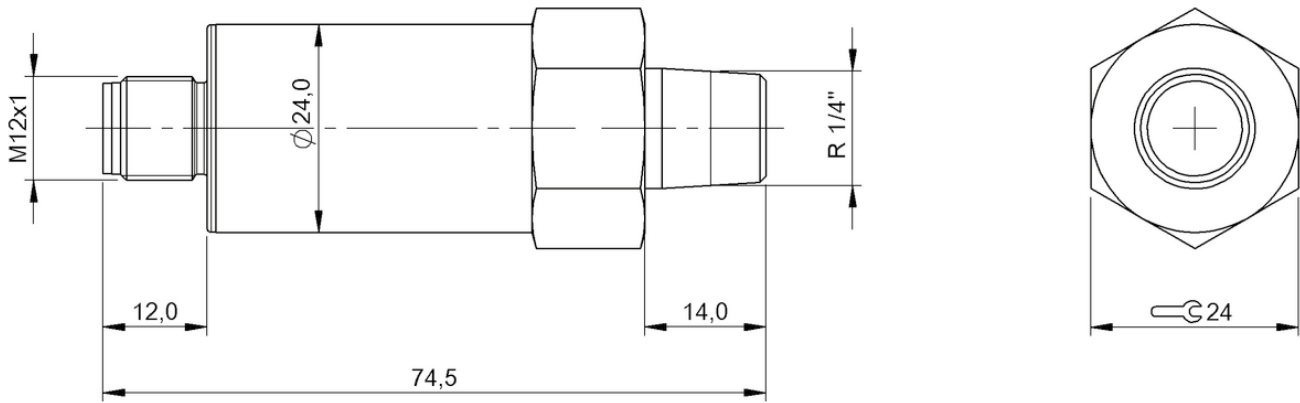
Do you need more details? Our Product Finder at www.balluff.com provides you with product-specific information, including technical drawings, data sheets, user guides and more for each individual product. All items are available for download.



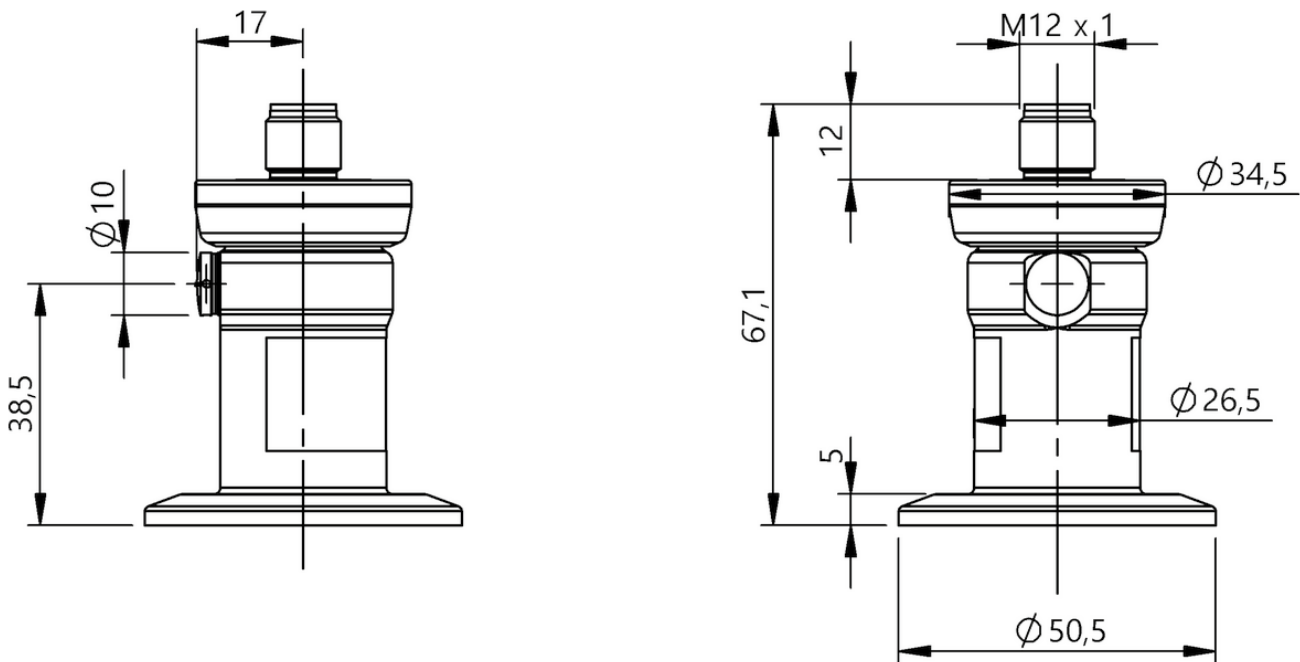
BSP00JU, BSP00JW, BSP00K5, BSP00K6, BSP00H7, BSP00H8, BSP00HK, BSP00HL, BSP00TH, BSP00TJ



BSP00K9, BSP00K7, BSP00KA, BSP00KC, BSP00K8, BSP00KE, BSP00KF, BSP00KH, BSP00KJ, BSP00HP, BSP00HM, BSP00HR, BSP00HT, BSP00HN, BSP00HU, BSP00HW, BSP00HY, BSP00HZ



BSP00KK, BSP00KL, BSP00J0, BSP00J1



BSP00W2, BSP00W3, BSP00W4, BSP00W5, BSP00W6, BSP00W7



	BSP00YZ BSP B010-HV009-P00S2B-S4-001	BSP00Z0 BSP V050-HV009-P00S2B-S4-001	
Measuring range	0...10 bar	-1...50 bar	
Accuracy	±0.5 % FSO BFSL	±0.5 % FSO BFSL	
Overload pressure	20 bar	100 bar	
Burst pressure	35 bar	150 bar	
Operating voltage U _b	18...30 VDC	18...30 VDC	
Interface	IO-Link 1.1	IO-Link 1.1	
Analog output	Analog, voltage/Analog, current selectable 4...20 mA/0...10 V	Analog, voltage/Analog, current selectable 4...20 mA/0...10 V	
Switching output	2x PNP/NPN NO/NC Switchable	2x PNP/NPN NO/NC Switchable	
Connection	Connector, M12x1 connector, 4-pin	Connector, M12x1 connector, 4-pin	
Process connection	G 1/2" (DIN 3852)	G 1/2" (DIN 3852)	
Process connection material	PVDF	PVDF	
Gasket, material	Fluoroelastomer	Fluoroelastomer	
Housing material	Stainless steel (1.4301) PE, High-density polyethylene	Stainless steel (1.4301) PE, High-density polyethylene	
Media temperature	-30...125 °C	-30...125 °C	
Ambient temperature	-40...85 °C	-40...85 °C	
Protection degree	IP67	IP67	
Approval/Conformity	CE, cULus, EAC, WEE	CE, cULus, EAC, WEE	
Productview	Page 378	Page 378	



	BSP00YN BSP M050-EV009-P00S2B-S4	BSP00Y2 BSP B002-EV009-P00S2B-S4	BSP00YR BSP V002-EV009-P00S2B-S4	BSP00Y3 BSP B005-EV009-P00S2B-S4
	0...0.05 bar	0...2 bar	-1...2 bar	0...5 bar
	±0.5 % FSO BFSL	±0.5 % FSO BFSL	±0.5 % FSO BFSL	±0.5 % FSO BFSL
	0.5 bar	4 bar	4 bar	10 bar
	0.75 bar	10 bar	10 bar	15 bar
	18...30 VDC	18...30 VDC	18...30 VDC	18...30 VDC
	IO-Link 1.1	IO-Link 1.1	IO-Link 1.1	IO-Link 1.1
	Analog, voltage/Analog, current selectable 4...20 mA/0...10 V	Analog, voltage/Analog, current selectable 4...20 mA/0...10 V	Analog, voltage/Analog, current selectable 4...20 mA/0...10 V	Analog, voltage/Analog, current selectable 4...20 mA/0...10 V
	2x PNP/NPN NO/NC Switchable	2x PNP/NPN NO/NC Switchable	2x PNP/NPN NO/NC Switchable	2x PNP/NPN NO/NC Switchable
	Connector, M12x1 connector, 4-pin	Connector, M12x1 connector, 4-pin	Connector, M12x1 connector, 4-pin	Connector, M12x1 connector, 4-pin
	G 1/4" (DIN 3852)	G 1/4" (DIN 3852)	G 1/4" (DIN 3852)	G 1/4" (DIN 3852)
	Stainless steel (1.4301)	Stainless steel (1.4301)	Stainless steel (1.4301)	Stainless steel (1.4301)
	Fluoroelastomer	Fluoroelastomer	Fluoroelastomer	Fluoroelastomer
	Stainless steel (1.4301) PE, High-density polyethylene	Stainless steel (1.4301) PE, High-density polyethylene	Stainless steel (1.4301) PE, High-density polyethylene	Stainless steel (1.4301) PE, High-density polyethylene
	-40...125 °C	-40...125 °C	-40...125 °C	-40...125 °C
	-40...85 °C	-40...85 °C	-40...85 °C	-40...85 °C
	IP67	IP67	IP67	IP67
	CE, cULus, EAC, WEE	CE, cULus, EAC, WEE	CE, cULus, EAC, WEE	CE, cULus, EAC, WEE
	Page 378	Page 378	Page 378	Page 378



	BSP00YY BSP V050-EV009-P00S2B-S4	BSP00YT BSP V010-EV009-P00S2B-S4	
Measuring range	-1...5 bar	-1...10 bar	
Accuracy	±0.5 % FSO BFSL	±0.5 % FSO BFSL	
Overload pressure	100 bar	20 bar	
Burst pressure	150 bar	35 bar	
Operating voltage U _b	18...30 VDC	18...30 VDC	
Interface	IO-Link 1.1	IO-Link 1.1	
Analog output	Analog, voltage/Analog, current selectable 4...20 mA/0...10 V	Analog, voltage/Analog, current selectable 4...20 mA/0...10 V	
Switching output	2x PNP/NPN NO/NC Switchable	2x PNP/NPN NO/NC Switchable	
Connection	Connector, M12x1 connector, 4-pin	Connector, M12x1 connector, 4-pin	
Process connection	G 1/4" (DIN 3852)	G 1/4" (DIN 3852)	
Process connection material	Stainless steel (1.4301)	Stainless steel (1.4301)	
Gasket, material	Fluoroelastomer	Fluoroelastomer	
Housing material	Stainless steel (1.4301) PE, High-density polyethylene	Stainless steel (1.4301) PE, High-density polyethylene	
Media temperature	-40...125 °C	-40...125 °C	
Ambient temperature	-40...85 °C	-40...85 °C	
Protection degree	IP67	IP67	
Approval/Conformity	CE, cULus, EAC, WEE	CE, cULus, EAC, WEE	
Productview	Page 378	Page 378	



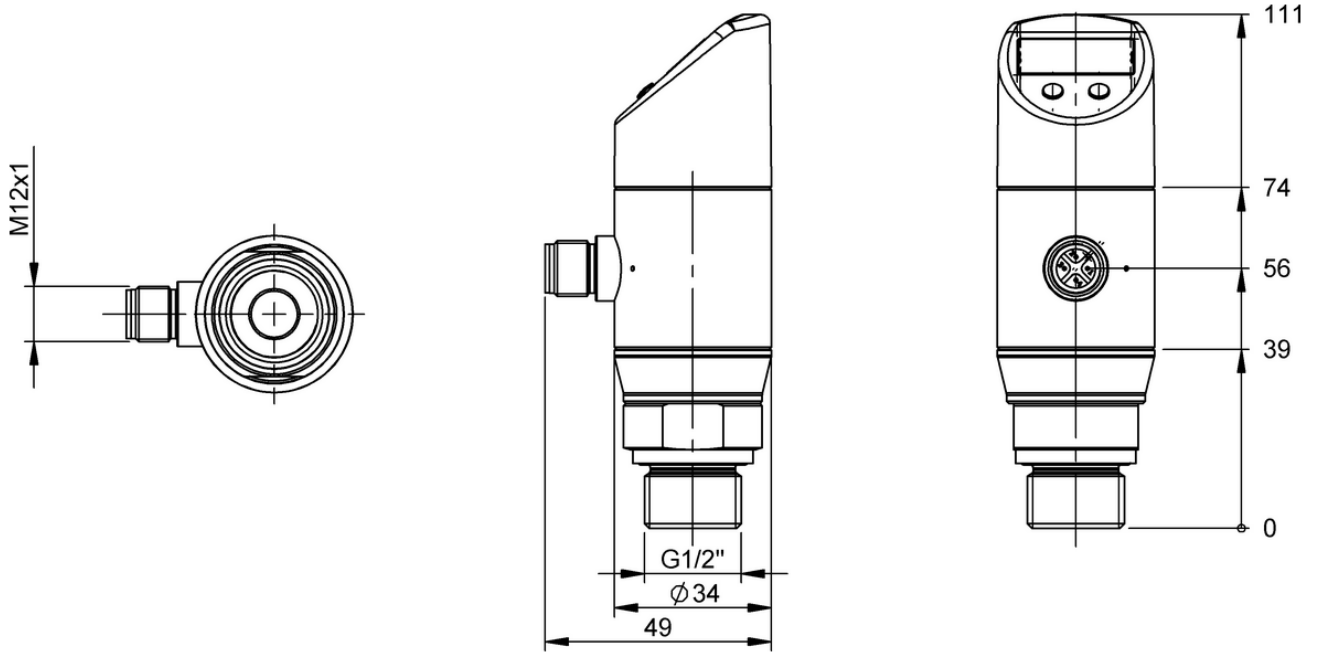
	BSP00Y4 BSP B010-EV009-P00S2B-S4	BSP00Y7 BSP B050-EV009-P00S2B-S4	BSP00Y8 BSP B100-EV009-P00S2B-S4	BSP00Y6 BSP B020-EV009-P00S2B-S4
	0...10 bar	0...50 bar	0...100 bar	0...250 bar
	±0.5 % FSO BFSL	±0.5 % FSO BFSL	±0.5 % FSO BFSL	±0.5 % FSO BFSL
	20 bar	100 bar	200 bar	40 bar
	35 bar	150 bar	300 bar	70 bar
	18...30 VDC	18...30 VDC	18...30 VDC	18...30 VDC
	IO-Link 1.1	IO-Link 1.1	IO-Link 1.1	IO-Link 1.1
	Analog, voltage/Analog, current selectable 4...20 mA/0...10 V	Analog, voltage/Analog, current selectable 4...20 mA/0...10 V	Analog, voltage/Analog, current selectable 4...20 mA/0...10 V	Analog, voltage/Analog, current selectable 4...20 mA/0...10 V
	2x PNP/NPN NO/NC Switchable	2x PNP/NPN NO/NC Switchable	2x PNP/NPN NO/NC Switchable	2x PNP/NPN NO/NC Switchable
	Connector, M12x1 connector, 4-pin	Connector, M12x1 connector, 4-pin	Connector, M12x1 connector, 4-pin	Connector, M12x1 connector, 4-pin
	G 1/4" (DIN 3852)	G 1/4" (DIN 3852)	G 1/4" (DIN 3852)	G 1/4" (DIN 3852)
	Stainless steel (1.4301)	Stainless steel (1.4301)	Stainless steel (1.4301)	Stainless steel (1.4301)
	Fluoroelastomer	Fluoroelastomer	Fluoroelastomer	Fluoroelastomer
	Stainless steel (1.4301) PE, High-density polyethylene	Stainless steel (1.4301) PE, High-density polyethylene	Stainless steel (1.4301) PE, High-density polyethylene	Stainless steel (1.4301) PE, High-density polyethylene
	-40...125 °C	-40...125 °C	-40...125 °C	-40...125 °C
	-40...85 °C	-40...85 °C	-40...85 °C	-40...85 °C
	IP67	IP67	IP67	IP67
	CE, cULus, EAC, WEE	CE, cULus, EAC, WEE	CE, cULus, EAC, WEE	CE, cULus, EAC, WEE
	Page 378	Page 378	Page 378	Page 378



	BSP00YC BSP B250-EV009-P00S2B-S4	BSP00YH BSP B400-EV009-P00S2B-S4	
Measuring range	0...250 bar	0...400 bar	
Accuracy	±0.5 % FSO BFSL	±0.5 % FSO BFSL	
Overload pressure	400 bar	650 bar	
Burst pressure	750 bar	1000 bar	
Operating voltage U _b	18...30 VDC	18...30 VDC	
Interface	IO-Link 1.1	IO-Link 1.1	
Analog output	Analog, voltage/Analog, current selectable 4...20 mA/0...10 V	Analog, voltage/Analog, current selectable 4...20 mA/0...10 V	
Switching output	2x PNP/NPN NO/NC Switchable	2x PNP/NPN NO/NC Switchable	
Connection	Connector, M12x1 connector, 4-pin	Connector, M12x1 connector, 4-pin	
Process connection	G 1/4" (DIN 3852)	G 1/4" (DIN 3852)	
Process connection material	Stainless steel (1.4301)	Stainless steel (1.4301)	
Gasket, material	Fluoroelastomer	Fluoroelastomer	
Housing material	Stainless steel (1.4301) PE, High-density polyethylene	Stainless steel (1.4301) PE, High-density polyethylene	
Media temperature	-40...125 °C	-40...125 °C	
Ambient temperature	-40...85 °C	-40...85 °C	
Protection degree	IP67	IP67	
Approval/Conformity	CE, cULus, EAC, WEE	CE, cULus, EAC, WEE	
Productview	Page 376	Page 376	

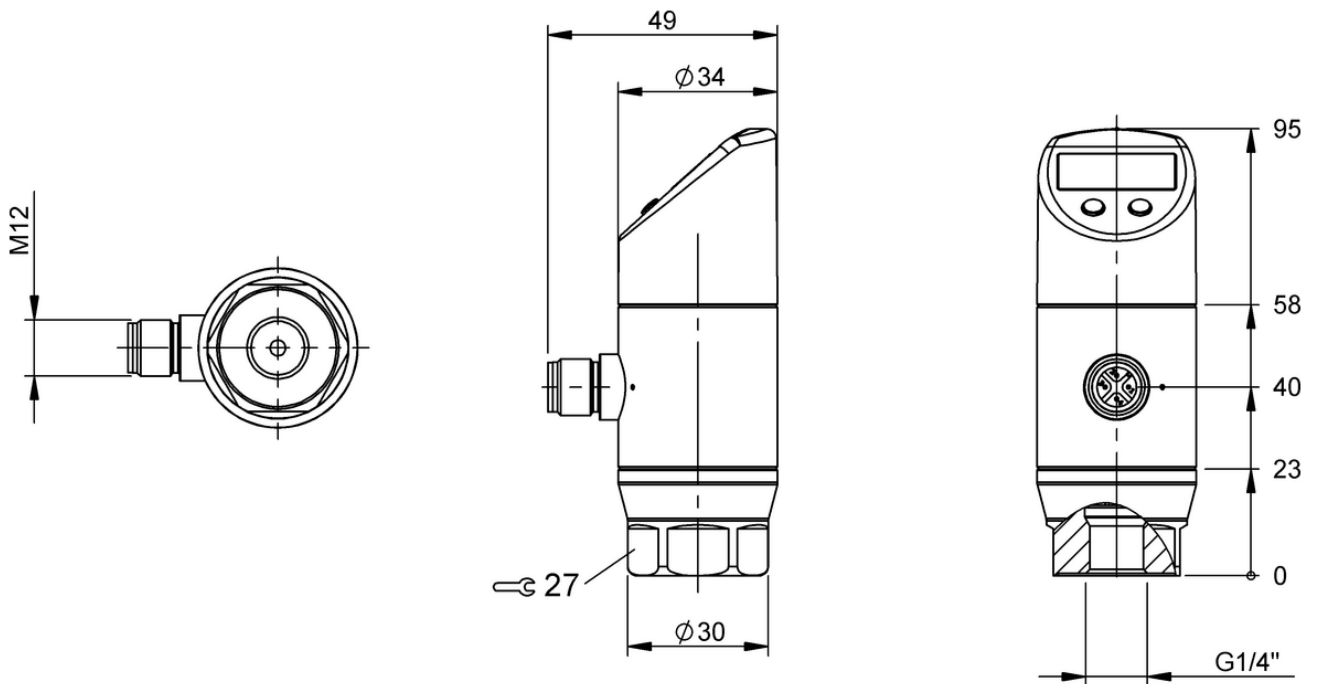


	BSP00YK BSP B600-EV009-P00S2B-S4	BSP00Z3 BSP V010-GV009-P00S2B-S4	BSP00Z1 BSP B100-GV009-P00S2B-S4	BSP00Z2 BSP B250-GV009-P00S2B-S4
	0...600 bar	-1...10 bar	0...100 bar	0...250 bar
	±0.5 % FSO BFSL	±0.5 % FSO BFSL	±0.5 % FSO BFSL	±0.5 % FSO BFSL
	1000 bar	20 bar	200 bar	400 bar
	1800 bar	35 bar	300 bar	750 bar
	18...30 VDC	18...30 VDC	18...30 VDC	18...30 VDC
	IO-Link 1.1	IO-Link 1.1	IO-Link 1.1	IO-Link 1.1
	Analog, voltage/Analog, current selectable 4...20 mA/0...10 V	Analog, voltage/Analog, current selectable 4...20 mA/0...10 V	Analog, voltage/Analog, current selectable 4...20 mA/0...10 V	Analog, voltage/Analog, current selectable 4...20 mA/0...10 V
	2x PNP/NPN NO/NC Switchable	2x PNP/NPN NO/NC Switchable	2x PNP/NPN NO/NC Switchable	2x PNP/NPN NO/NC Switchable
	Connector, M12x1 connector, 4-pin	Connector, M12x1 connector, 4-pin	Connector, M12x1 connector, 4-pin	Connector, M12x1 connector, 4-pin
	G 1/4" (DIN 3852)	NPT 1/4"	NPT 1/4"	NPT 1/4"
	Stainless steel (1.4301)	Stainless steel (1.4301)	Stainless steel (1.4301)	Stainless steel (1.4301)
	Fluoroelastomer	Fluoroelastomer	Fluoroelastomer	Fluoroelastomer
	Stainless steel (1.4301) PE, High-density polyethylene	Stainless steel (1.4301) PE, High-density polyethylene	Stainless steel (1.4301) PE, High-density polyethylene	Stainless steel (1.4301) PE, High-density polyethylene
	-40...125 °C	-40...125 °C	-40...125 °C	-40...125 °C
	-40...85 °C	-40...85 °C	-40...85 °C	-40...85 °C
	IP67	IP67	IP67	IP67
	CE, cULus, EAC, WEE	CE, cULus, EAC, WEE	CE, cULus, EAC, WEE	CE, cULus, EAC, WEE
	Page 376	Page 376	Page 376	Page 376



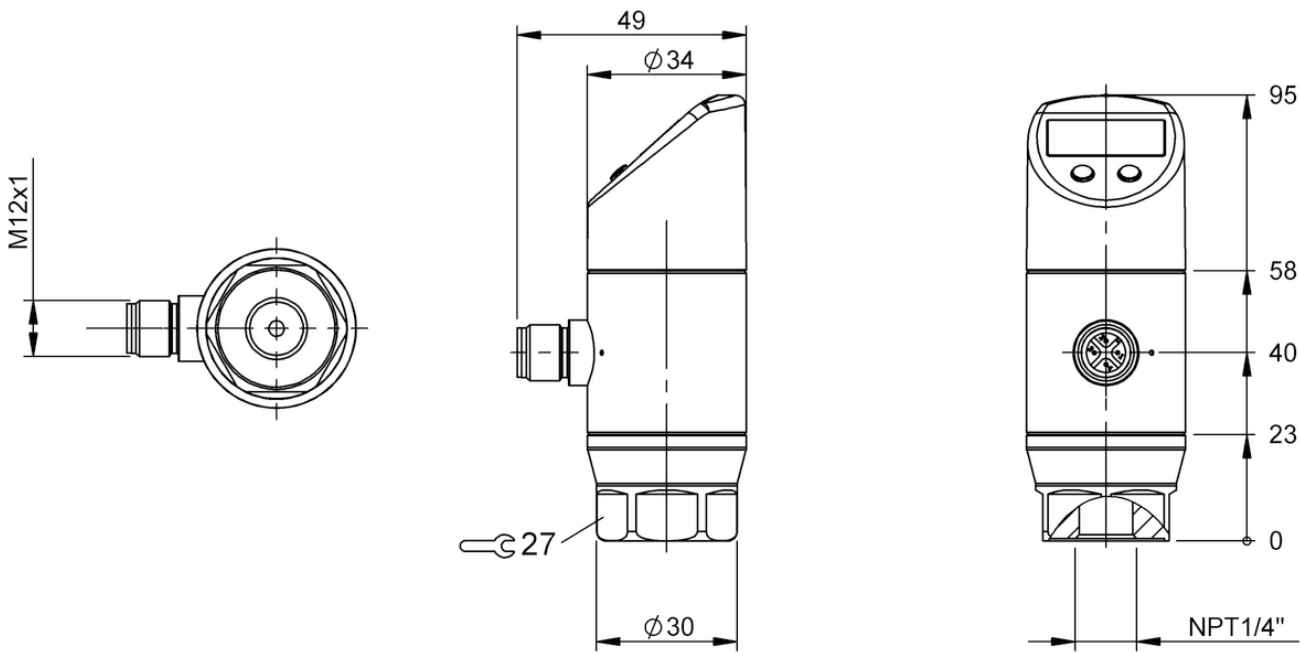
1) Display and control panel, 2) Process connection, 3) Housing rotatable 320°

BSP00YZ, BSP00ZO



1) Display and control panel, 2) Process connection, 3) Housing rotatable 320°

BSP00YN, BSP00Y2, BSP00YR, BSP00Y3, BSP00YY, BSP00YT, BSP00Y4, BSP00Y7, BSP00Y8, BSP00Y6, BSP00YC, BSP00YH, BSP00YK



1) Display and control panel, 2) Process connection, 3) Housing rotatable 320°

BSP00Z3, BSP00Z1, BSP00Z2



	BSP00ZU BSP B002-IV010-P00S2B-S4	BSP00ZW BSP B005-IV010-P00S2B-S4	
Measuring range	0...2 bar	0...5 bar	
Accuracy	±0.5 % FSO BFSL	±0.5 % FSO BFSL	
Overload pressure	10 bar	40 bar	
Burst pressure	15 bar	50 bar	
Operating voltage U _b	18...30 VDC	18...30 VDC	
Interface	IO-Link 1.1	IO-Link 1.1	
Analog output	Analog, voltage/Analog, current selectable 4...20 mA/0...10 V	Analog, voltage/Analog, current selectable 4...20 mA/0...10 V	
Switching output	2x PNP/NPN NO/NC Switchable	2x PNP/NPN NO/NC Switchable	
Connection	Connector, M12x1 connector, 4-pin	Connector, M12x1 connector, 4-pin	
Process connection	G 1/2" (DIN 3852) front-flush	G 1/2" (DIN 3852) front-flush	
Process connection material	Stainless steel (1.4404)	Stainless steel (1.4404)	
Gasket, material	Fluoroelastomer	Fluoroelastomer	
Housing material	Stainless steel (1.4301) PE, High-density polyethylene	Stainless steel (1.4301) PE, High-density polyethylene	
Media temperature	-40...125 °C	-40...125 °C	
Ambient temperature	-40...85 °C	-40...85 °C	
Protection degree	IP67, IP69	IP67, IP69	
Approval/Conformity	CE, cULus, EAC, WEEE, ECOLAB	CE, cULus, EAC, WEEE, ECOLAB	
Productview	Pager 389	Pager 389	



	BSP00ZY BSP B010-IV010-P00S2B-S4	BSP00ZZ BSP B020-IV010-P00S2B-S4	BSP0102 BSP M100-ZT010-P00S2B-S4-006	BSP0103 BSP M500-ZT010-P00S2B-S4-006
	0...10 bar	0...20 bar	0...0.1 bar	0...0.5 bar
	±0.5 % FSO BFSL	±0.5 % FSO BFSL	±0.5 % FSO BFSL	±0.5 % FSO BFSL
	40 bar	80 bar	0.5 bar	5 bar
	50 bar	120 bar	1.5 bar	7.5 bar
	18...30 VDC	18...30 VDC	18...30 VDC	18...30 VDC
	IO-Link 1.1	IO-Link 1.1	IO-Link 1.1	IO-Link 1.1
	Analog, voltage/Analog, current selectable 4...20 mA/0...10 V	Analog, voltage/Analog, current selectable 4...20 mA/0...10 V	Analog, voltage/Analog, current selectable 4...20 mA/0...10 V	Analog, voltage/Analog, current selectable 4...20 mA/0...10 V
	2x PNP/NPN NO/NC Switchable	2x PNP/NPN NO/NC Switchable	2x PNP/NPN NO/NC Switchable	2x PNP/NPN NO/NC Switchable
	Connector, M12x1 connector, 4-pin	Connector, M12x1 connector, 4-pin	Connector, M12x1 connector, 4-pin	Connector, M12x1 connector, 4-pin
	G 1/2" (DIN 3852) front-flush	G 1/2" (DIN 3852) front-flush	1 1/2" Clamp	1 1/2" Clamp
	Stainless steel (1.4404)	Stainless steel (1.4404)	Stainless steel (1.4404)	Stainless steel (1.4404)
	Fluoroelastomer	Fluoroelastomer	—	—
	Stainless steel (1.4301) PE, High-density polyethylene	Stainless steel (1.4301) PE, High-density polyethylene	Stainless steel (1.4301) PE, High-density polyethylene	Stainless steel (1.4301) PE, High-density polyethylene
	-40...125 °C	-40...125 °C	-10...125 °C	-10...125 °C
	-40...85 °C	-40...85 °C	-40...85 °C	-40...85 °C
	IP67, IP69	IP67, IP69	IP67, IP69	IP67, IP69
	CE, cULus, EAC, WEEE, ECOLAB	CE, cULus, EAC, WEEE, ECOLAB	CE, cULus, EAC, WEEE, ECOLAB	CE, cULus, EAC, WEEE, ECOLAB
	Pager 389	Pager 389	Pager 389	Pager 389



	BSP0100 BSP B001-ZT010-P00S2B-S4-006	BSP0101 BSP B002-ZT010-P00S2B-S4-006	
Measuring range	0...1 bar	0...2 bar	
Accuracy	±0.5 % FSO BFSL	±0.5 % FSO BFSL	
Overload pressure	5 bar	10 bar	
Burst pressure	7.5 bar	15 bar	
Operating voltage U _b	18...30 VDC	18...30 VDC	
Interface	IO-Link 1.1	IO-Link 1.1	
Analog output	Analog, voltage/Analog, current selectable 4...20 mA/0...10 V	Analog, voltage/Analog, current selectable 4...20 mA/0...10 V	
Switching output	2x PNP/NPN NO/NC Switchable	2x PNP/NPN NO/NC Switchable	
Connection	Connector, M12x1 connector, 4-pin	Connector, M12x1 connector, 4-pin	
Process connection	1 1/2" Clamp	1 1/2" Clamp	
Process connection material	Stainless steel (1.4404)	Stainless steel (1.4404)	
Gasket, material	—	—	
Housing material	Stainless steel (1.4301) PE, High-density polyethylene	Stainless steel (1.4301) PE, High-density polyethylene	
Media temperature	-10...125 °C	-10...125 °C	
Ambient temperature	-40...85 °C	-40...85 °C	
Protection degree	IP67, IP69	IP67, IP69	
Approval/Conformity	CE, cULus, EAC, WEEE, ECOLAB	CE, cULus, EAC, WEEE, ECOLAB	
Productview	Pager 389	Pager 389	



	BSP00ZH BSP V002-IV009-P00S2B-S4	BSP00Z4 BSP B002-IV009-P00S2B-S4	BSP00ZJ BSP V003-IV009-P00S2B-S4	BSP00Z5 BSP B005-IV009-P00S2B-S4
	-1...2 bar	0...2 bar	-1...3 bar	0...5 bar
	±0.5 % FSO BFSL	±0.5 % FSO BFSL	±0.5 % FSO BFSL	±0.5 % FSO BFSL
	10 bar	10 bar	20 bar	40 bar
	15 bar	15 bar	25 bar	50 bar
	18...30 VDC	18...30 VDC	18...30 VDC	18...30 VDC
	IO-Link 1.1	IO-Link 1.1	IO-Link 1.1	IO-Link 1.1
	Analog, voltage/Analog, current selectable 4...20 mA/0...10 V	Analog, voltage/Analog, current selectable 4...20 mA/0...10 V	Analog, voltage/Analog, current selectable 4...20 mA/0...10 V	Analog, voltage/Analog, current selectable 4...20 mA/0...10 V
	2x PNP/NPN NO/NC Switchable	2x PNP/NPN NO/NC Switchable	2x PNP/NPN NO/NC Switchable	2x PNP/NPN NO/NC Switchable
	Connector, M12x1 connector, 4-pin	Connector, M12x1 connector, 4-pin	Connector, M12x1 connector, 4-pin	Connector, M12x1 connector, 4-pin
	G 1/2" (DIN 3852) front-flush	G 1/2" (DIN 3852) front-flush	G 1/2" (DIN 3852) front-flush	G 1/2" (DIN 3852) front-flush
	Stainless steel (1.4404)	Stainless steel (1.4404)	Stainless steel (1.4404)	Stainless steel (1.4404)
	Fluoroelastomer	Fluoroelastomer	Fluoroelastomer	Fluoroelastomer
	Stainless steel (1.4301) PE, High-density polyethylene	Stainless steel (1.4301) PE, High-density polyethylene	Stainless steel (1.4301) PE, High-density polyethylene	Stainless steel (1.4301) PE, High-density polyethylene
	-40...125 °C	-40...125 °C	-40...125 °C	-40...125 °C
	-40...85 °C	-40...85 °C	-40...85 °C	-40...85 °C
	IP67	IP67	IP67	IP67
	CE, cULus, EAC, WEEE	CE, cULus, EAC, WEEE	CE, cULus, EAC, WEEE	CE, cULus, EAC, WEEE
	Pager 389	Pager 389	Pager 389	Pager 389



	BSP00Z6 BSP B010-IV009-P00S2B-S4	BSP00ZK BSP V010-IV009-P00S2B-S4	
Measuring range	0...10 bar	-1...10 bar	
Accuracy	±0.5 % FSO BFSL	±0.5 % FSO BFSL	
Overload pressure	40 bar	40 bar	
Burst pressure	50 bar	50 bar	
Operating voltage U _b	18...30 VDC	18...30 VDC	
Interface	IO-Link 1.1	IO-Link 1.1	
Analog output	Analog, voltage/Analog, current selectable 4...20 mA/0...10 V	Analog, voltage/Analog, current selectable 4...20 mA/0...10 V	
Switching output	2x PNP/NPN NO/NC Switchable	2x PNP/NPN NO/NC Switchable	
Connection	Connector, M12x1 connector, 4-pin	Connector, M12x1 connector, 4-pin	
Process connection	G 1/2" (DIN 3852) front-flush	G 1/2" (DIN 3852) front-flush	
Process connection material	Stainless steel (1.4404)	Stainless steel (1.4404)	
Gasket, material	Fluoroelastomer	Fluoroelastomer	
Housing material	Stainless steel (1.4301) PE, High-density polyethylene	Stainless steel (1.4301) PE, High-density polyethylene	
Media temperature	-40...125 °C	-40...125 °C	
Ambient temperature	-40...85 °C	-40...85 °C	
Protection degree	IP67	IP67	
Approval/Conformity	CE, cULus, EAC, WEE	CE, cULus, EAC, WEE	
Productview	Page 399	Page 399	



	BSP0077 BSP B020-IV009-P00S2B-S4	BSP0078 BSP B050-IV009-P00S2B-S4	BSP0079 BSP B100-IV009-P00S2B-S4	BSP007A BSP B120-IV009-P00S2B-S4
	0...20 bar	0...50 bar	0...100 bar	0...120 bar
	±0.5 % FSO BFSL	±0.5 % FSO BFSL	±0.5 % FSO BFSL	±0.5 % FSO BFSL
	80 bar	100 bar	200 bar	200 bar
	120 bar	180 bar	300 bar	300 bar
	18...30 VDC	18...30 VDC	18...30 VDC	18...30 VDC
	IO-Link 1.1	IO-Link 1.1	IO-Link 1.1	IO-Link 1.1
	Analog, voltage/Analog, current selectable 4...20 mA/0...10 V	Analog, voltage/Analog, current selectable 4...20 mA/0...10 V	Analog, voltage/Analog, current selectable 4...20 mA/0...10 V	Analog, voltage/Analog, current selectable 4...20 mA/0...10 V
	2x PNP/NPN NO/NC Switchable	2x PNP/NPN NO/NC Switchable	2x PNP/NPN NO/NC Switchable	2x PNP/NPN NO/NC Switchable
	Connector, M12x1 connector, 4-pin	Connector, M12x1 connector, 4-pin	Connector, M12x1 connector, 4-pin	Connector, M12x1 connector, 4-pin
	G 1/2" (DIN 3852) front-flush	G 1/2" (DIN 3852) front-flush	G 1/2" (DIN 3852) front-flush	G 1/2" (DIN 3852) front-flush
	Stainless steel (1.4404)	Stainless steel (1.4404)	Stainless steel (1.4404)	Stainless steel (1.4404)
	Fluoroelastomer	Fluoroelastomer	Fluoroelastomer	Fluoroelastomer
	Stainless steel (1.4301) PE, High-density polyethylene	Stainless steel (1.4301) PE, High-density polyethylene	Stainless steel (1.4301) PE, High-density polyethylene	Stainless steel (1.4301) PE, High-density polyethylene
	-40...125 °C	-40...125 °C	-40...125 °C	-40...125 °C
	-40...85 °C	-40...85 °C	-40...85 °C	-40...85 °C
	IP67	IP67	IP67	IP67
	CE, cULus, EAC, WEE	CE, cULus, EAC, WEE	CE, cULus, EAC, WEE	CE, cULus, EAC, WEE
	Page 399	Page 399	Page 399	Page 399



	BSP007C BSP B250-IV009-P00S2B-S4	BSP007E BSP B400-IV009-P00S2B-S4	
Measuring range	0...250 bar	0...400 bar	
Accuracy	±0.5 % FSO BFSL	±0.5 % FSO BFSL	
Overload pressure	400 bar	600 bar	
Burst pressure	750 bar	1000 bar	
Operating voltage U _b	18...30 VDC	18...30 VDC	
Interface	IO-Link 1.1	IO-Link 1.1	
Analog output	Analog, voltage/Analog, current selectable 4...20 mA/0...10 V	Analog, voltage/Analog, current selectable 4...20 mA/0...10 V	
Switching output	2x PNP/NPN NO/NC Switchable	2x PNP/NPN NO/NC Switchable	
Connection	Connector, M12x1 connector, 4-pin	Connector, M12x1 connector, 4-pin	
Process connection	G 1/2" (DIN 3852) front-flush	G 1/2" (DIN 3852) front-flush	
Process connection material	Stainless steel (1.4404)	Stainless steel (1.4404)	
Gasket, material	Fluoroelastomer	Fluoroelastomer	
Housing material	Stainless steel (1.4301) PE, High-density polyethylene	Stainless steel (1.4301) PE, High-density polyethylene	
Media temperature	-40...125 °C	-40...125 °C	
Ambient temperature	-40...85 °C	-40...85 °C	
Protection degree	IP67	IP67	
Approval/Conformity	CE, cULus, EAC, WEE	CE, cULus, EAC, WEE	
Productview	Page 399	Page 399	



	BSP00ZF BSP B600-IV009-P00S2B-S4	BSP00ZN BSP M100-ZT009-P00S2B-S4-006	BSP00ZP BSP M250-ZT009-P00S2B-S4-006	BSP00ZR BSP M500-ZT009-P00S2B-S4-006
	0...600 bar	0...0.1 bar	0...0.25 bar	0...0.5 bar
	±0.5 % FSO BFSL	±0.5 % FSO BFSL	±0.5 % FSO BFSL	±0.5 % FSO BFSL
	800 bar	0.5 bar	1 bar	5 bar
	1100 bar	1.5 bar	1.5 bar	7.5 bar
	18...30 VDC	18...30 VDC	18...30 VDC	18...30 VDC
	IO-Link 1.1	IO-Link 1.1	IO-Link 1.1	IO-Link 1.1
	Analog, voltage/Analog, current selectable 4...20 mA/0...10 V	Analog, voltage/Analog, current selectable 4...20 mA/0...10 V	Analog, voltage/Analog, current selectable 4...20 mA/0...10 V	Analog, voltage/Analog, current selectable 4...20 mA/0...10 V
	2x PNP/NPN NO/NC Switchable	2x PNP/NPN NO/NC Switchable	2x PNP/NPN NO/NC Switchable	2x PNP/NPN NO/NC Switchable
	Connector, M12x1 connector, 4-pin	Connector, M12x1 connector, 4-pin	Connector, M12x1 connector, 4-pin	Connector, M12x1 connector, 4-pin
	G 1/2" (DIN 3852) front-flush	1 1/2" Clamp	1 1/2" Clamp	1 1/2" Clamp
	Stainless steel (1.4404)	Stainless steel (1.4404)	Stainless steel (1.4404)	Stainless steel (1.4404)
	Fluoroelastomer	—	—	—
	Stainless steel (1.4301) PE, High-density polyethylene	Stainless steel (1.4301) PE, High-density polyethylene	Stainless steel (1.4301) PE, High-density polyethylene	Stainless steel (1.4301) PE, High-density polyethylene
	-40...125 °C	-10...125 °C	-10...125 °C	-10...125 °C
	-40...85 °C	-40...85 °C	-40...85 °C	-40...85 °C
	IP67	IP67	IP67	IP67
	CE, cULus, EAC, WEE	CE, cULus, EAC, WEE	CE, cULus, EAC, WEE	CE, cULus, EAC, WEE
	Page 399	Page 399	Page 399	Page 399



	BSP007T BSP M750-ZT009-P00S2B-S4-006	BSP007L BSP B001-ZT009-P00S2B-S4-006	
Measuring range	0...0.75 bar	0...1 bar	
Accuracy	±0.5 % FSO BFSL	±0.5 % FSO BFSL	
Overload pressure	5 bar	5 bar	
Burst pressure	7.5 bar	7.5 bar	
Operating voltage U _b	18...30 VDC	18...30 VDC	
Interface	IO-Link 1.1	IO-Link 1.1	
Analog output	Analog, voltage/Analog, current selectable 4...20 mA/0...10 V	Analog, voltage/Analog, current selectable 4...20 mA/0...10 V	
Switching output	2x PNP/NPN NO/NC Switchable	2x PNP/NPN NO/NC Switchable	
Connection	Connector, M12x1 connector, 4-pin	Connector, M12x1 connector, 4-pin	
Process connection	1 1/2" Clamp	1 1/2" Clamp	
Process connection material	Stainless steel (1.4404)	Stainless steel (1.4404)	
Gasket, material	—	—	
Housing material	Stainless steel (1.4301) PE, High-density polyethylene	Stainless steel (1.4301) PE, High-density polyethylene	
Media temperature	-10...125 °C	-10...125 °C	
Ambient temperature	-40...85 °C	-40...85 °C	
Protection degree	IP67	IP67	
Approval/Conformity	CE, cULus, EAC, WEE	CE, cULus, EAC, WEE	
Productview	Page 399	Page 399	



BSP002M BSP B002-ZT009-P00S2B-S4-006			
0...2 bar			
±0.5 % FSO BFSL			
10 bar			
15 bar			
18...30 VDC			
IO-Link 1.1			
Analog, voltage/Analog, current selectable 4...20 mA/0...10 V			
2x PNP/NPN NO/NC Switchable			
Connector, M12x1 connector, 4-pin			
1 1/2" Clamp			
Stainless steel (1.4404)			
—			
Stainless steel (1.4301) PE, High-density polyethylene			
-10...125 °C			
-40...85 °C			
IP67			
CE, cULus, EAC, WEE			
Page 399			

Sensors

RFID

Machine Vision and Optical Identification

Human Machine Interfaces

Safety

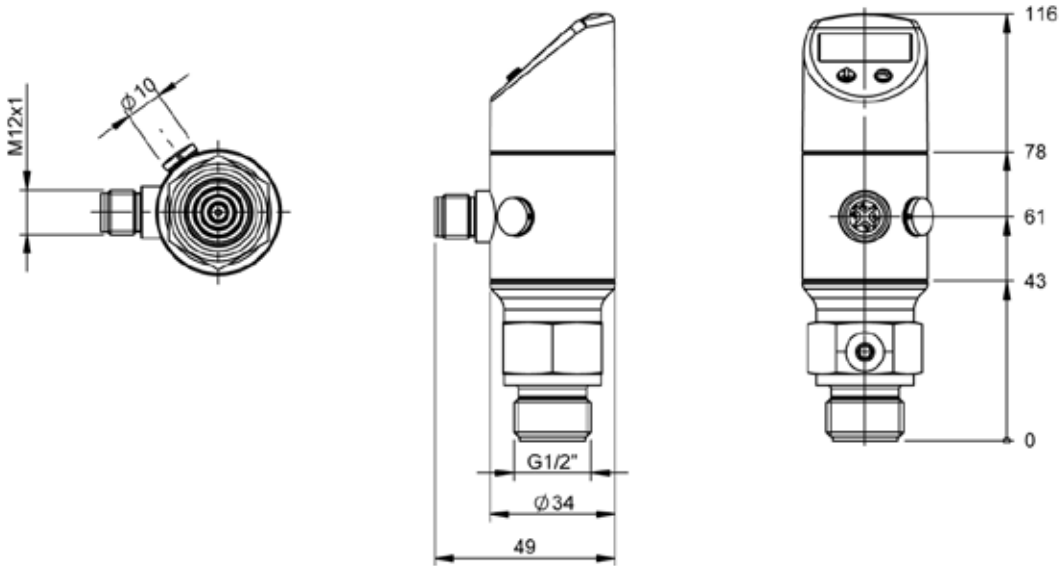
Industrial Networking

Software and System Solutions

Power Supply

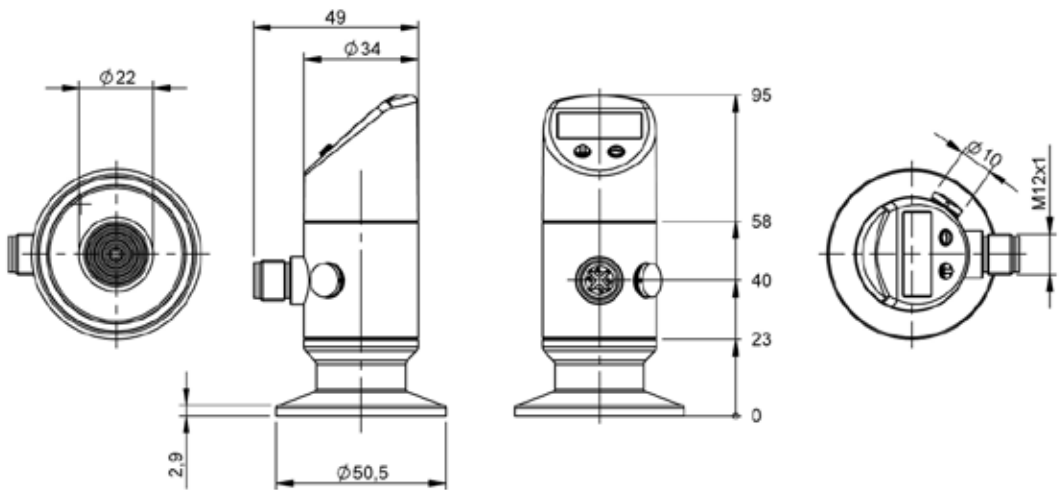
Connectivity

Accessories



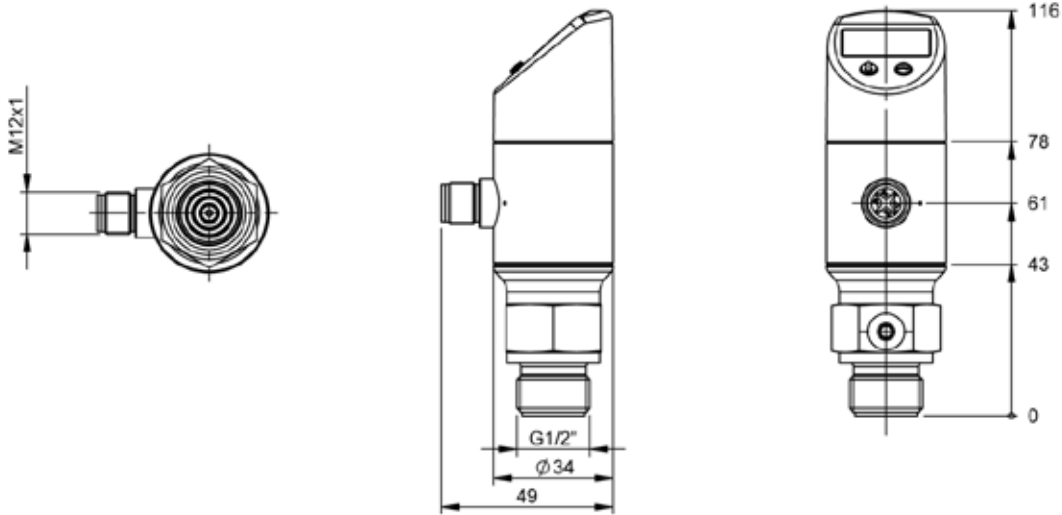
1) Display and control panel, 2) Process connection, 3) Housing rotatable 320°

BSP00ZU, BSP00ZW, BSP00ZY, BSP00ZZ



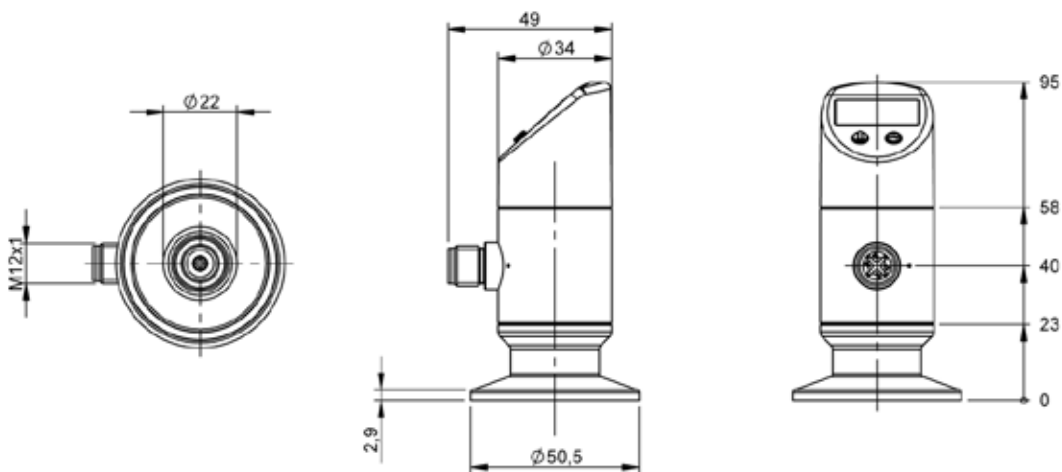
1) Display and control panel, 2) Process connection, 3) Housing rotatable 320°

BSP0102, BSP0103, BSP0100, BSP0101



1) Display and control panel, 2) Process connection, 3) Housing rotatable 320°

BSP00ZH, BSP00Z4, BSP00ZJ, BSP00Z5, BSP00Z6, BSP00ZK, PAGE 390, BSP00Z8, BSP00Z9, BSP00ZA, BSP00ZC, BSP00ZE, BSP00ZF



1) Display and control panel, 2) Process connection, 3) Housing rotatable 320°

BSP00ZN, BSP00ZP, BSP00ZR, BSP00ZT, BSP00ZL, BSP00ZM

Reliably detect and measure hot objects

TEMPERATURE SENSORS

With temperature sensors, you can measure and monitor temperatures by contact or contactlessly in a wide range of applications.

The most important benefits

- Rugged M30 stainless steel housing with IP67 protection
- Temperature range 250...1250 °C
- Numerous functions and settings using the IO-Link interface



Sensors

RFID

Machine Vision and
Optical Identification

Human Machine Inter-
faces

Safety

Industrial Networking

Software and
System Solutions

Power Supply

Connectivity

Accessories



	BFT0015 BFT 6025-HV003-A00A0C-S4	BFT0012 BFT 6025-HV003-A02A0C-S4	BFT001H BFT 6025-HV003-D00A0C-S4	
Measuring range	-20...80 °C	-20...80 °C	-20...80 °C	
Measuring element	Pt1000	Pt1000	Pt1000	
Operating voltage U _b	15...35 VDC	15...35 VDC	15...35 VDC	
Analog output	Analog, voltage 0...10 V	Analog, current 4...20 mA	—	
Switching output	PNP	PNP	2x PNP	
Connection	Connector, M12x1-Male, 4-pin	Connector, M12x1-Male, 4-pin	Connector, M12x1-Male, 4-pin	
Installation length from contact surface	25 mm	25 mm	25 mm	
Process connection	G 1/2" outer	G 1/2" outer	G 1/2" outer	
Process connection material	Stainless steel (1.4571)	Stainless steel (1.4571)	Stainless steel (1.4571)	
Gasket, material	Fluoroelastomer	Fluoroelastomer	Fluoroelastomer	
Housing material	PC/ABS TPE-E, PC, Stainless steel (1.4301)	PC/ABS TPE-E, PC, Stainless steel (1.4301)	PC/ABS TPE-E, PC, Stainless steel (1.4301)	
Pressure rating max.	150 bar	150 bar	150 bar	
Ambient temperature	-20...80 °C	-20...80 °C	-20...80 °C	
IP rating	IP65, IP67	IP65, IP67	IP65, IP67	
Approval/Conformity	CE, cULus, WEEE, EAC	CE, cULus, WEEE, EAC	CE, cULus, WEEE, EAC	
Productview	Page 400	Page 400	Page 400	



	BFT001C BFT 6025-JC003-A00A0C-S4	BFT0018 BFT 6025-JC003-A02A0C-S4	BFT001L BFT 6025-JC003-D00A0C-S4	BFT0016 BFT 6050-HV003-A00A0C-S4	BFT0013 BFT 6050-HV003-A02A0C-S4
	-20...80 °C	-20...80 °C	-20...80 °C	-20...80 °C	-20...80 °C
	Pt1000	Pt1000	Pt1000	Pt1000	Pt1000
	15...35 VDC	15...35 VDC	15...35 VDC	15...35 VDC	15...35 VDC
	Analog, voltage 0...10 V	Analog, current 4...20 mA	—	Analog, voltage 0...10 V	Analog, current 4...20 mA
	PNP	PNP	2x PNP	PNP	PNP
	Connector, M12x1-Male, 4-pin	Connector, M12x1-Male, 4-pin	Connector, M12x1-Male, 4-pin	Connector, M12x1-Male, 4-pin	Connector, M12x1-Male, 4-pin
	25 mm	25 mm	25 mm	50 mm	50 mm
	NPT 1/2" outer	NPT 1/2" outer	NPT 1/2" outer	G 1/2" outer	G 1/2" outer
	Stainless steel (1.4571)	Stainless steel (1.4571)	Stainless steel (1.4571)	Stainless steel (1.4571)	Stainless steel (1.4571)
	—	—	—	Fluoroelastomer	Fluoroelastomer
	PC/ABS TPE-E, PC, Stainless steel (1.4301)	PC/ABS TPE-E, PC, Stainless steel (1.4301)	PC/ABS TPE-E, PC, Stainless steel (1.4301)	PC/ABS TPE-E, PC, Stainless steel (1.4301)	PC/ABS TPE-E, PC, Stainless steel (1.4301)
	150 bar	150 bar	150 bar	150 bar	150 bar
	-20...80 °C	-20...80 °C	-20...80 °C	-20...80 °C	-20...80 °C
	IP65, IP67	IP65, IP67	IP65, IP67	IP65, IP67	IP65, IP67
	CE, cULus, WEEE, EAC	CE, cULus, WEEE, EAC	CE, cULus, WEEE, EAC	CE, cULus, WEEE, EAC	CE, cULus, WEEE, EAC
	Page 400	Page 400	Page 400	Page 400	Page 400



	BFT001J BFT 6050-HV003-D00A0C-S4	BFT001E BFT 6050-JC003-A00A0C-S4	BFT0019 BFT 6050-JC003-A02A0C-S4	
Measuring range	-20...80 °C	-20...80 °C	-20...80 °C	
Measuring element	Pt1000	Pt1000	Pt1000	
Operating voltage U _b	15...35 VDC	15...35 VDC	15...35 VDC	
Analog output	—	Analog, voltage 0...10 V	Analog, current 4...20 mA	
Switching output	2x PNP	PNP	PNP	
Connection	Connector, M12x1-Male, 4-pin	Connector, M12x1-Male, 4-pin	Connector, M12x1-Male, 4-pin	
Installation length from contact surface	50 mm	50 mm	50 mm	
Process connection	G 1/2" outer	NPT 1/2" outer	NPT 1/2" outer	
Process connection material	Stainless steel (1.4571)	Stainless steel (1.4571)	Stainless steel (1.4571)	
Gasket, material	Fluoroelastomer	—	—	
Housing material	PC/ABS TPE-E, PC, Stainless steel (1.4301)	PC/ABS TPE-E, PC, Stainless steel (1.4301)	PC/ABS TPE-E, PC, Stainless steel (1.4301)	
Pressure rating max.	150 bar	150 bar	150 bar	
Ambient temperature	-20...80 °C	-20...80 °C	-20...80 °C	
IP rating	IP65, IP67	IP65, IP67	IP65, IP67	
Approval/Conformity	CE, cULus, WEEE, EAC	CE, cULus, WEEE, EAC	CE, cULus, WEEE, EAC	
Productview	Page 400	Page 400	Page 400	



	BFT001M BFT 6050-JC003-D00A0C-S4	BFT0017 BFT 6100-HV003-A00A0C-S4	BFT0014 BFT 6100-HV003-A02A0C-S4	BFT001K BFT 6100-HV003-D00A0C-S4	BFT001F BFT 6100-JC003-A00A0C-S4
	-20...80 °C	-20...80 °C	-20...80 °C	-20...80 °C	-20...80 °C
	Pt1000	Pt1000	Pt1000	Pt1000	Pt1000
	15...35 VDC	15...35 VDC	15...35 VDC	15...35 VDC	15...35 VDC
	—	Analog, voltage 0...10 V	Analog, current 4...20 mA	—	Analog, voltage 0...10 V
	2x PNP	PNP	PNP	2x PNP	PNP
	Connector, M12x1-Male, 4-pin	Connector, M12x1-Male, 4-pin	Connector, M12x1-Male, 4-pin	Connector, M12x1-Male, 4-pin	Connector, M12x1-Male, 4-pin
	50 mm	100 mm	100 mm	100 mm	100 mm
	NPT 1/2" outer	G 1/2" outer	G 1/2" outer	G 1/2" outer	NPT 1/2" outer
	Stainless steel (1.4571)	Stainless steel (1.4571)	Stainless steel (1.4571)	Stainless steel (1.4571)	Stainless steel (1.4571)
	—	Fluoroelastomer	Fluoroelastomer	Fluoroelastomer	—
	PC/ABS TPE-E, PC, Stainless steel (1.4301)	PC/ABS TPE-E, PC, Stainless steel (1.4301)	PC/ABS TPE-E, PC, Stainless steel (1.4301)	PC/ABS TPE-E, PC, Stainless steel (1.4301)	PC/ABS TPE-E, PC, Stainless steel (1.4301)
	150 bar	150 bar	150 bar	150 bar	150 bar
	-20...80 °C	-20...80 °C	-20...80 °C	-20...80 °C	-20...80 °C
	IP65, IP67	IP65, IP67	IP65, IP67	IP65, IP67	IP65, IP67
	CE, cULus, WEEE, EAC	CE, cULus, WEEE, EAC	CE, cULus, WEEE, EAC	CE, cULus, WEEE, EAC	CE, cULus, WEEE, EAC
	Page 400	Page 400	Page 400	Page 400	Page 400



	BFT001A BFT 6100-JC003-A02A0C-S4	BFT001N BFT 6100-JC003-D00A0C-S4	BFT0001 BFT 6025-DX001-R02A0A-S4	
Measuring range	-20...80 °C	-20...80 °C	-50...150 °C	
Measuring element	Pt1000	Pt1000	Pt1000	
Operating voltage U _b	15...35 VDC	15...35 VDC	—	
Analog output	Analog, current 4...20 mA	—	Analog, resistance	
Switching output	PNP	2x PNP	—	
Connection	Connector, M12x1-Male, 4-pin	Connector, M12x1-Male, 4-pin	Connector, M12x1-Male, 4-pin	
Installation length from contact surface	100 mm	100 mm	25 mm	
Process connection	NPT 1/2" outer	NPT 1/2" outer	G 1/4" outer	
Process connection material	Stainless steel (1.4571)	Stainless steel (1.4571)	Stainless steel (1.4305)	
Gasket, material	—	—	—	
Housing material	PC/ABS TPE-E, PC, Stainless steel (1.4301)	PC/ABS PE-E, PC, Stainless steel (1.4301)	—	
Pressure rating max.	150 bar	150 bar	50 bar	
Ambient temperature	-20...80 °C	-20...80 °C	-40...100 °C	
IP rating	IP65, IP67	IP65, IP67	IP66, IP67	
Approval/Conformity	CE, cULus, WEEE, EAC	CE, cULus, WEEE, EAC	CE, WEEE, EAC	
Productview	Page 400	Page 400	Page 401	



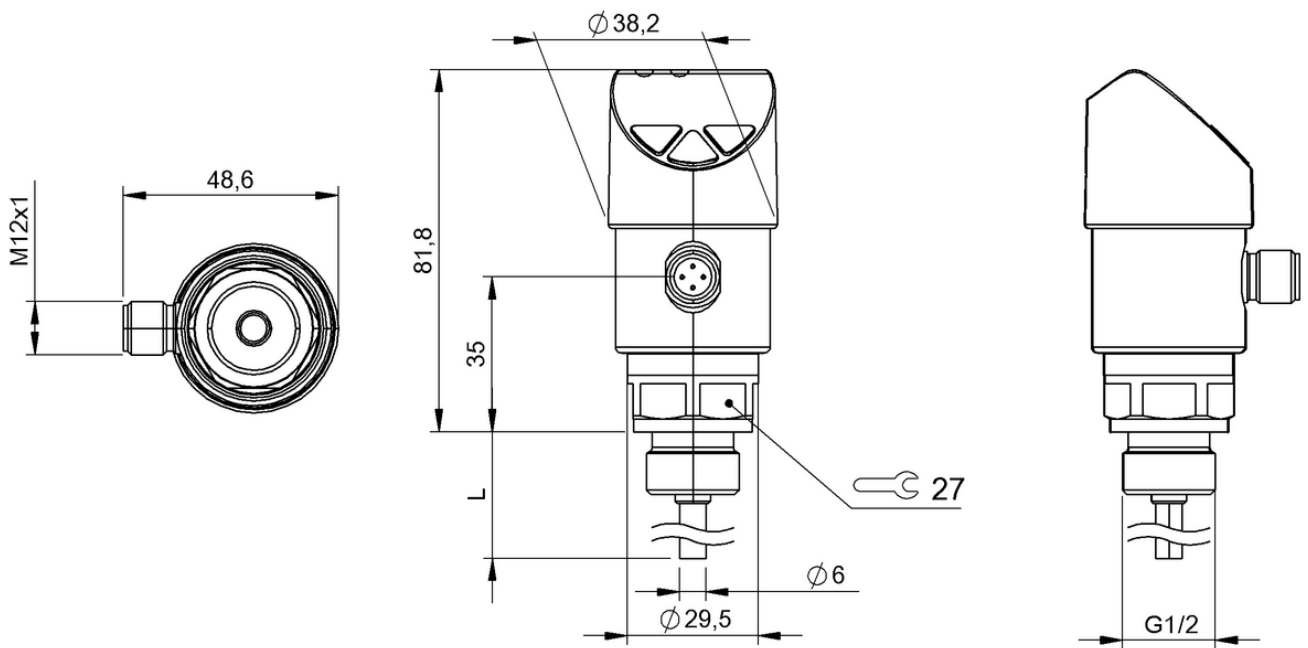
BFT0003 BFT 6025-FC001-R02A0A-S4	BFT001P BFT 6025-HX001-R02A0A-S4	BFT0002 BFT 6050-DX001-R02A0A-S4	BFT0004 BFT 6050-FC001-R02A0A-S4	BFT001R BFT 6050-HV001-R02A0A-S4
-50...150 °C	-50...150 °C	-50...150 °C	-50...150 °C	-50...150 °C
Pt1000	Pt1000	Pt1000	Pt1000	Pt1000
—	—	—	—	—
Analog, resistance	Analog, resistance	Analog, resistance	Analog, resistance	Analog, resistance
—	—	—	—	—
Connector, M12x1-Male, 4-pin	Connector, M12x1-Male, 4-pin	Connector, M12x1-Male, 4-pin	Connector, M12x1-Male, 4-pin	Connector, M12x1-Male, 4-pin
25 mm	25 mm	50 mm	50 mm	50 mm
NPT 1/4" outer	G 1/2" outer	G 1/4" outer	NPT 1/4" outer	—
Stainless steel (1.4305)	Stainless steel (1.4305)	Stainless steel (1.4305)	Stainless steel (1.4305)	Stainless steel (1.4305)
—	—	—	—	—
—	—	—	—	—
50 bar	50 bar	50 bar	50 bar	50 bar
-40...100 °C	-40...100 °C	-40...100 °C	-40...100 °C	-40...100 °C
IP66, IP67	IP66, IP67	IP66, IP67	IP66, IP67	IP66, IP67
CE, WEEE, EAC	CE, WEEE, EAC	CE, WEEE, EAC	CE, WEEE, EAC	CE, WEEE, EAC
Page 401	Page 401	Page 401	Page 401	Page 402



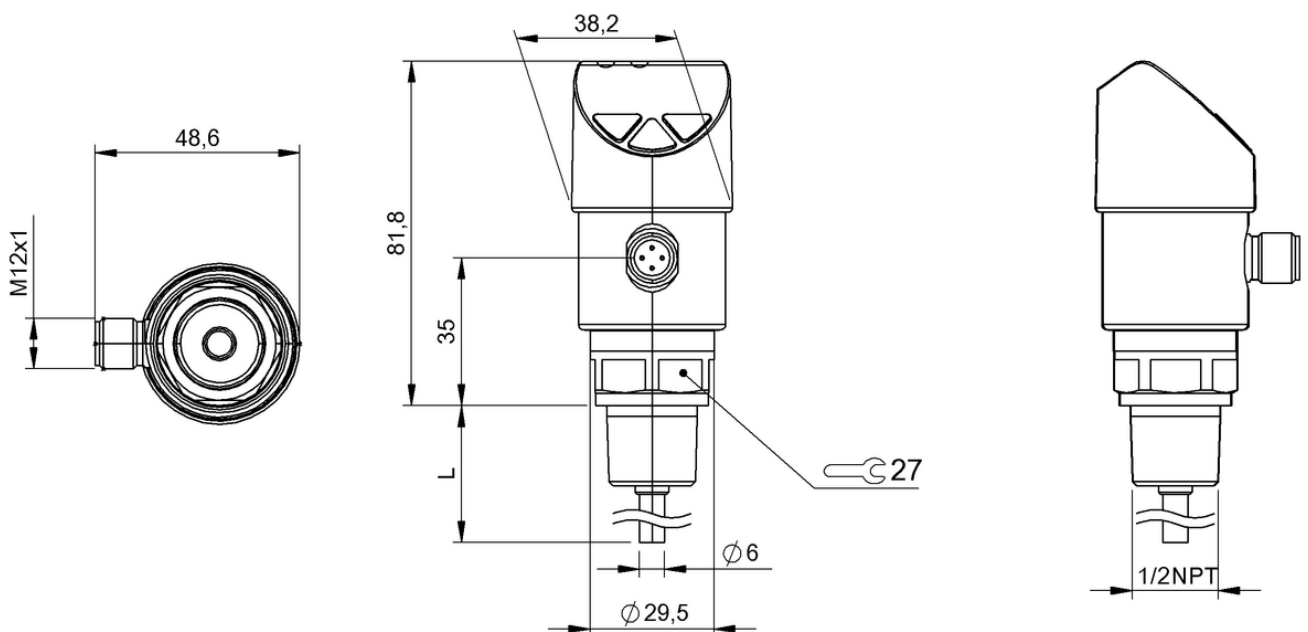
	BFT0005 BFT 6025-DX002-A06A1A-S4	BFT0008 BFT 6025-FC002-A06A1A-S4	BFT0006 BFT 6050-DX002-A06A1A-S4	
Measuring range	-30...150 °C	-30...150 °C	-30...150 °C	
Measuring element	Pt1000	Pt1000	Pt1000	
Operating voltage U _b	10...30 VDC	10...30 VDC	10...30 VDC	
Analog output	Analog, current 4...20 mA	Analog, current 4...20 mA	Analog, current 4...20 mA	
Switching output	—	—	—	
Connection	Connector, M12x1-Male, 4-pin	Connector, M12x1-Male, 4-pin	Connector, M12x1-Male, 4-pin	
Installation length from contact surface	25 mm	25 mm	50 mm	
Process connection	G 1/4" outer	NPT 1/4" outer	G 1/4" outer	
Process connection material	Stainless steel (1.4571)	Stainless steel (1.4571)	Stainless steel (1.4571)	
Gasket, material	—	—	—	
Housing material	Stainless steel (1.4571)	Stainless steel (1.4571)	Stainless steel (1.4571)	
Pressure rating max.	270 bar	270 bar	270 bar	
Ambient temperature	-40...85 °C	-40...85 °C	-40...85 °C	
IP rating	IP67, IP69, IP69K	IP67, IP69, IP69K	IP67, IP69, IP69K	
Approval/Conformity	CE, cULus, WEEE, EAC	CE, cULus, WEEE, EAC	CE, cULus, WEEE, EAC	
Productview	Page 403	Page 403	Page 403	



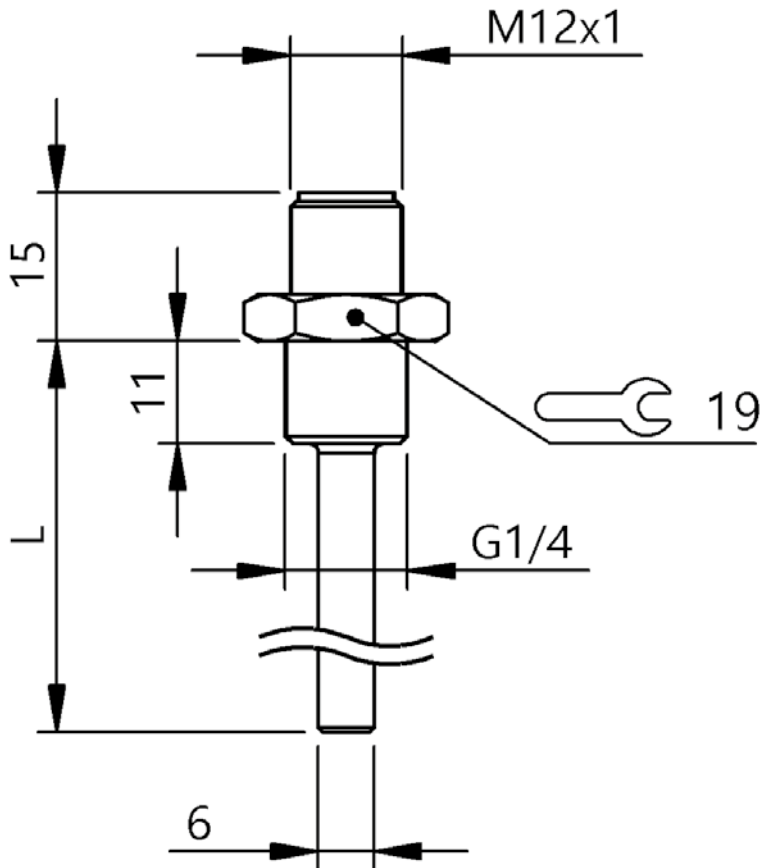
	BFT0009 BFT 6050-FC002-A06A1A-S4	BFT0007 BFT 6100-DX002-A06A1A-S4	BFT000A BFT 6100-FC002-A06A1A-S4		
	-30...150 °C	-30...150 °C	-30...150 °C		
	Pt1000	Pt1000	Pt1000		
	10...30 VDC	10...30 VDC	10...30 VDC		
	Analog, current 4...20 mA	Analog, current 4...20 mA	Analog, current 4...20 mA		
	—	—	—		
	Connector, M12x1-Male, 4-pin	Connector, M12x1-Male, 4-pin	Connector, M12x1-Male, 4-pin		
	50 mm	100 mm	100 mm		
	NPT 1/4" outer	G 1/4" outer	NPT 1/4" outer		
	Stainless steel (1.4571)	Stainless steel (1.4571)	Stainless steel (1.4571)		
	—	—	—		
	Stainless steel (1.4571)	Stainless steel (1.4571)	Stainless steel (1.4571)		
	270 bar	270 bar	270 bar		
	-40...85 °C	-40...85 °C	-40...85 °C		
	IP67, IP69, IP69K	IP67, IP69, IP69K	IP67, IP69, IP69K		
	CE, cULus, WEEE, EAC	CE, cULus, WEEE, EAC	CE, cULus, WEEE, EAC		
	Page 403	Page 403	Page 403		



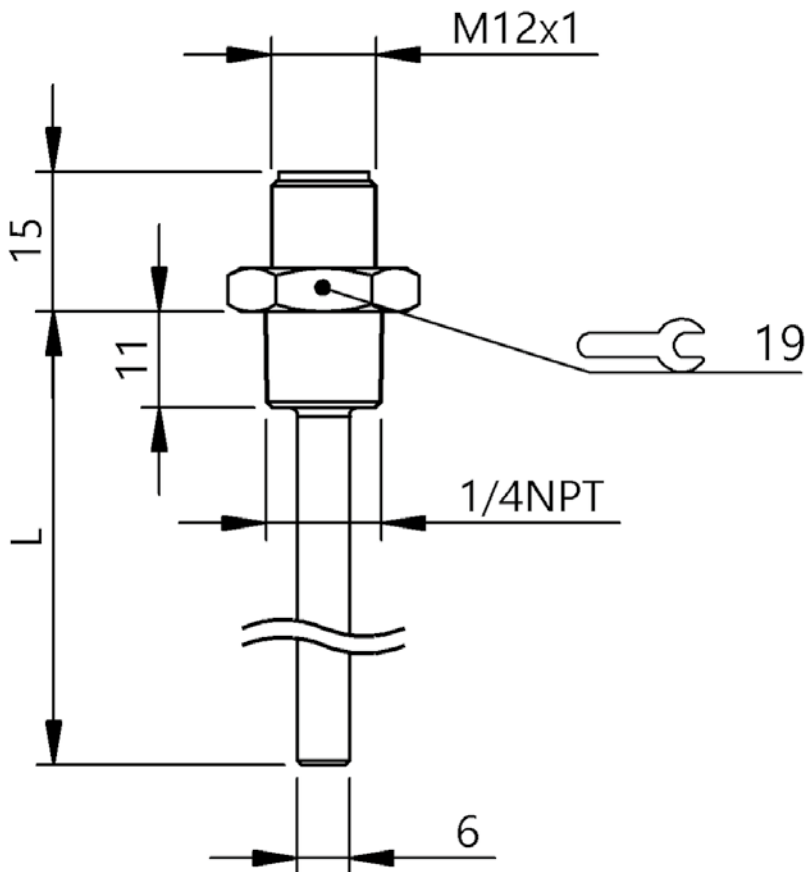
BFT0015, BFT0012, BFT001H, BFT0016, BFT0013, BFT001J, BFT0017, BFT0014, BFT001K



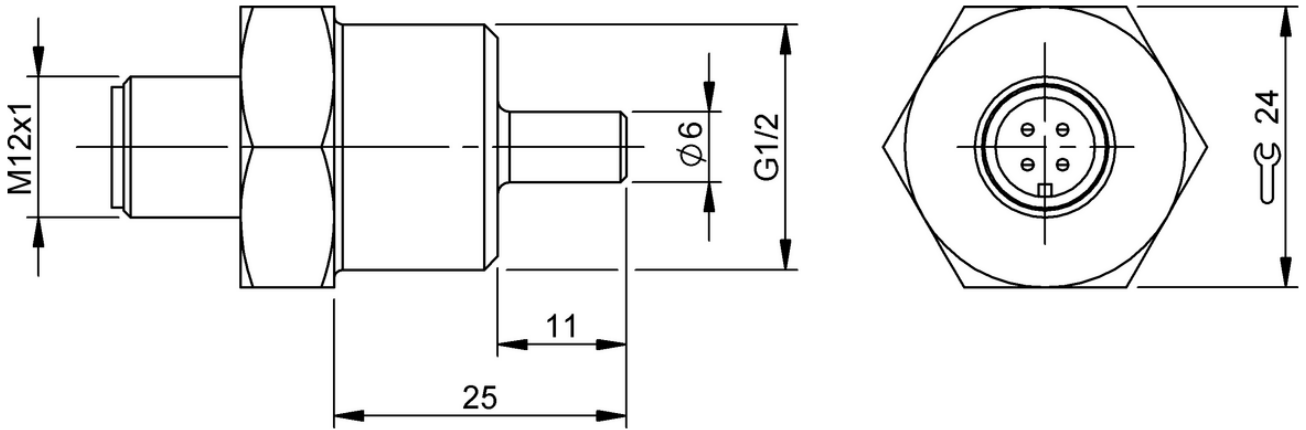
BFT001C, BFT0018, BFT001L, BFT001E, BFT0019, BFT001M, BFT001F, BFT001A, BFT001N



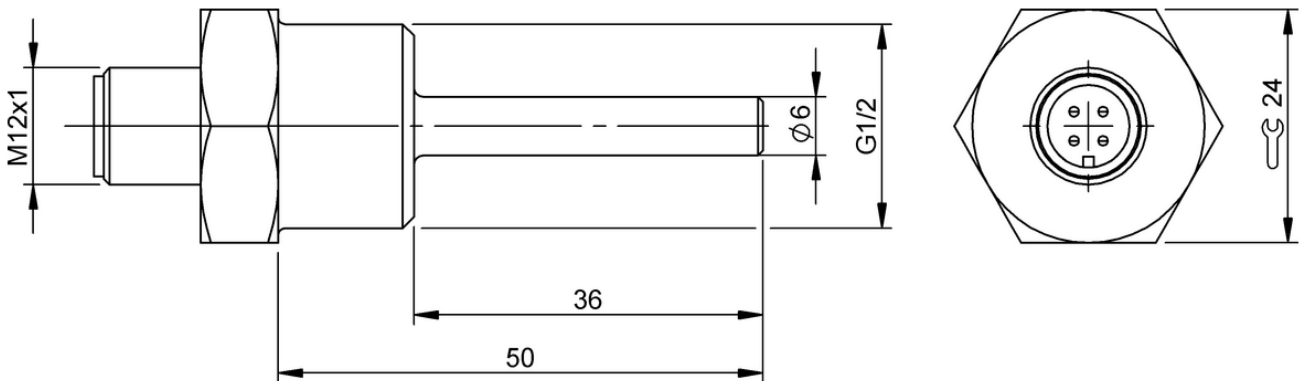
BFT0001, BFT0002



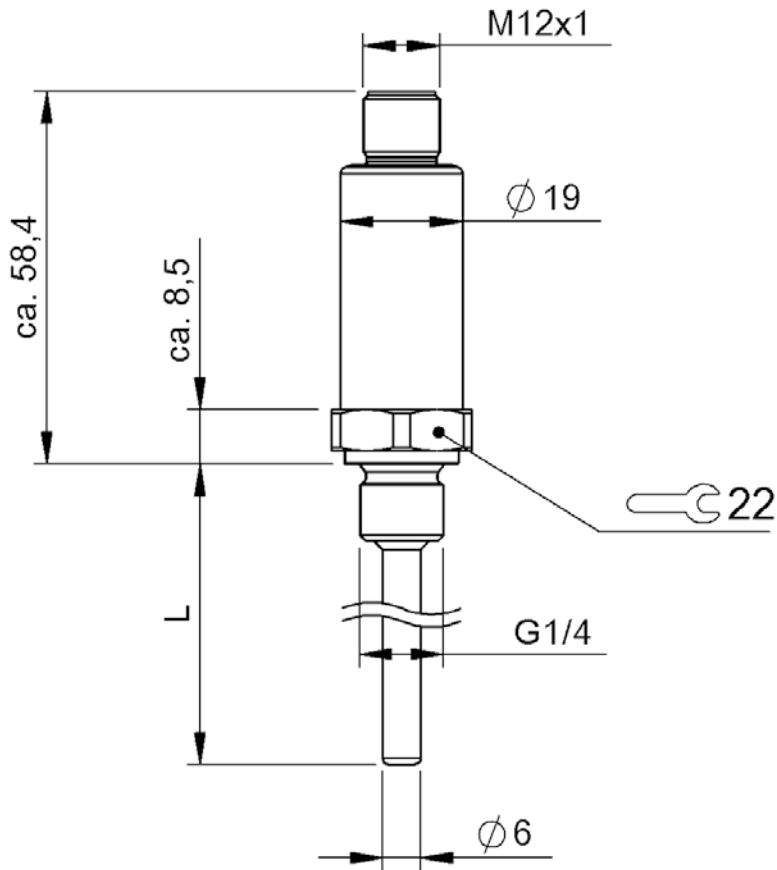
BFT0003, BFT0004



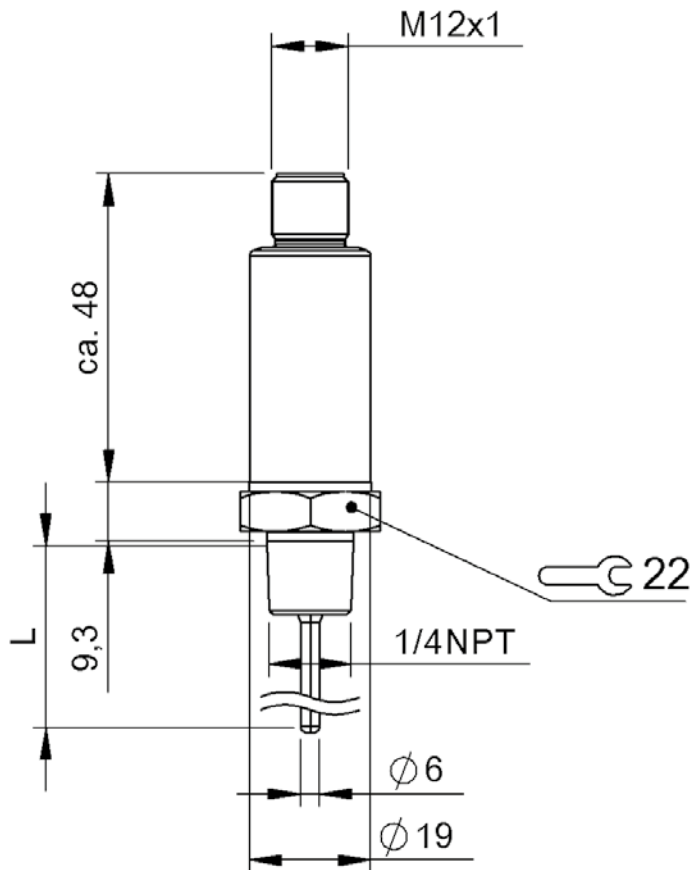
BFT001P



BFT001R



BFT0005, BFT0006, BFT0007

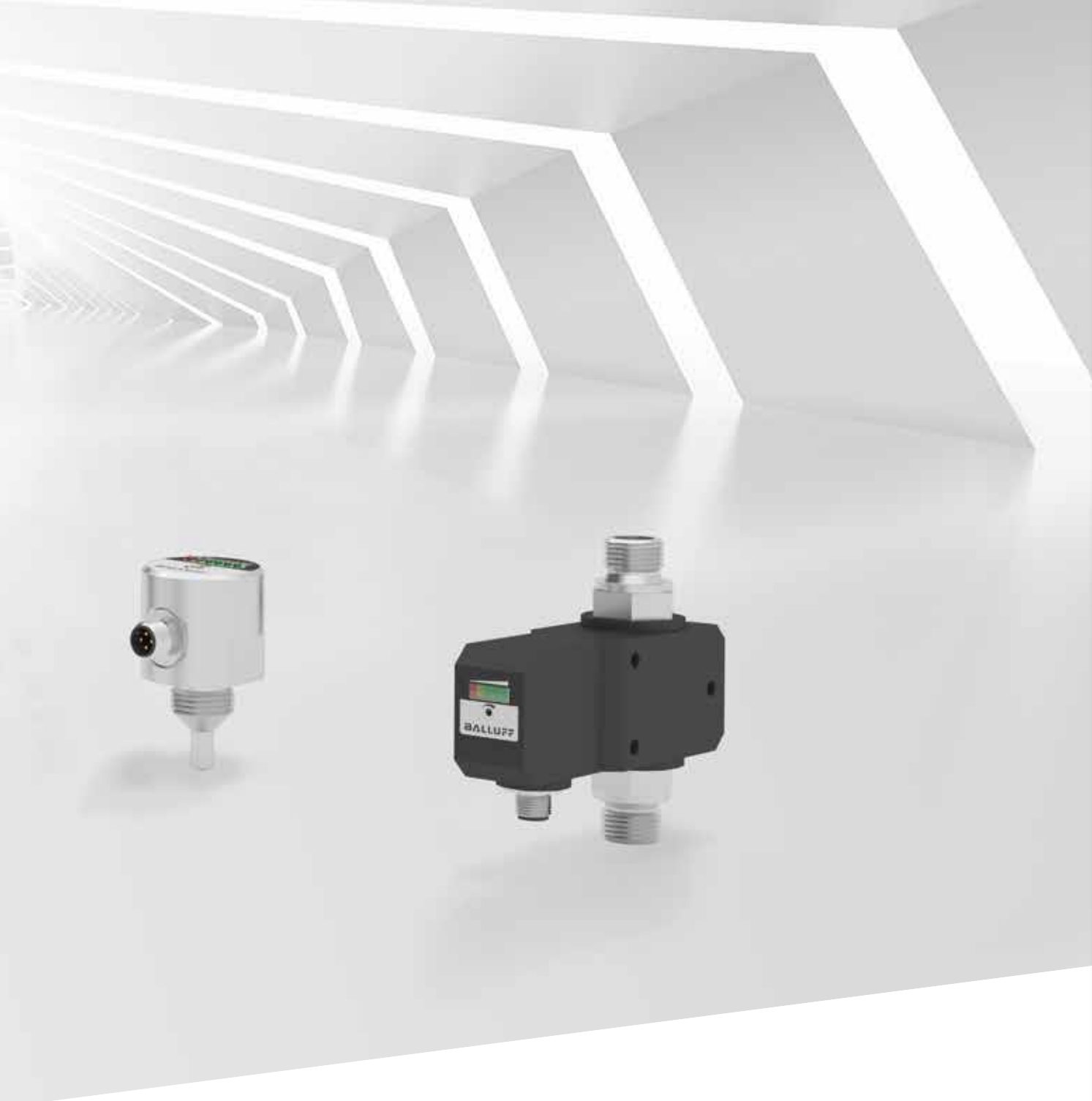


BFT0008, BFT0009, BFT000A



Process security written large

FLOW SENSORS



Flow sensors let you measure and monitor the flow of process media in a wide range of applications. For example the lubricant flow or reliable circulation of cooling water. Now you can detect a pump failure early and prevent an unplanned machine or even system stop.

This is how flow sensors as well as pressure or temperature sensors contribute to process security.



	BFF0004 BFF T7031-HA002-R03A0A-S4	BFF0006 BFF T7040-JA002-R03A0A-S4	
Working range	1...150 cm/s aqueous media, 3...300 cm/s oil	1...150 cm/s aqueous media, 3...300 cm/s oil	
Operating voltage U _b	—	—	
Switching output	—	—	
Connection	Connector, M12x1 connector, 4-pin	Connector, M12x1 connector, 4-pin	
Installation length from contact surface	31 mm	40 mm	
Inside diameter	—	—	
Process connection	G 1/2" outer	NPT 1/2" outer	
Process connection material	Stainless steel (1.4571)	Stainless steel (1.4571)	
Gasket, material	AFM 34	—	
Housing material	Stainless steel (1.4571)	Stainless steel (1.4571)	
Media temperature	-20...80 °C	-20...80 °C	
Pressure rating max.	100 bar	100 bar	
Ambient temperature	-20...80 °C	-20...80 °C	
Protection degree	IP67	IP67	
Approval/Conformity	CE	CE	
Additional text	Required accessories: Signal converter BAE00ZZ	Required accessories: Signal converter BAE00ZZ	
Productview	Pager 410	Pager 410	



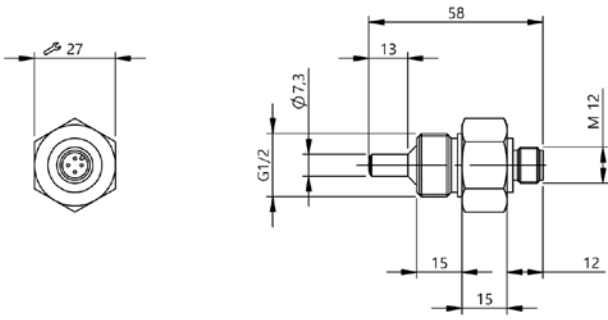
	BFF0005 BFF T7048-HA002-R03A0A-S4	BFF0001 BFF T7031-HA001-D06A2A-S4	BFF0003 BFF T7040-JA001-D06A2A-S4	BFF0002 BFF T7048-HA001-D06A2A-S4
	1...150 cm/s aqueous media, 3...300 cm/s oil	1...150 cm/s aqueous media, 3...300 cm/s oil	1...150 cm/s aqueous media, 3...300 cm/s oil	1...150 cm/s aqueous media, 3...300 cm/s oil
	—	20...28 VDC	20...28 VDC	20...28 VDC
	—	PNP	PNP	PNP
	Connector, M12x1 connector, 4-pin	Connector, M12x1 connector, 4-pin	Connector, M12x1 connector, 4-pin	Connector, M12x1 connector, 4-pin
	48 mm	31 mm	40 mm	48 mm
	—	—	—	—
	G 1/2" outer	G 1/2" outer	NPT 1/2" outer	G 1/2" outer
	Stainless steel (1.4571)	Stainless steel (1.4571)	Stainless steel (1.4571)	Stainless steel (1.4571)
	AFM 34	AFM 34	—	AFM 34
	Stainless steel (1.4571)	Stainless steel (1.4571) Stainless steel (1.4305)	Stainless steel (1.4571) Stainless steel (1.4305)	Stainless steel (1.4571) Stainless steel (1.4305)
	-20...80 °C	-20...80 °C	-20...80 °C	-20...80 °C
	100 bar	100 bar	100 bar	100 bar
	-20...80 °C	-20...80 °C	-20...80 °C	-20...80 °C
	IP67	IP67	IP67	IP67
	CE	CE, cULus	CE, cULus	CE, cULus
	Required accessories: Signal converter BAE00ZZ	—	—	—
	Pager 410	Pager 410	Pager 410	Pager 410



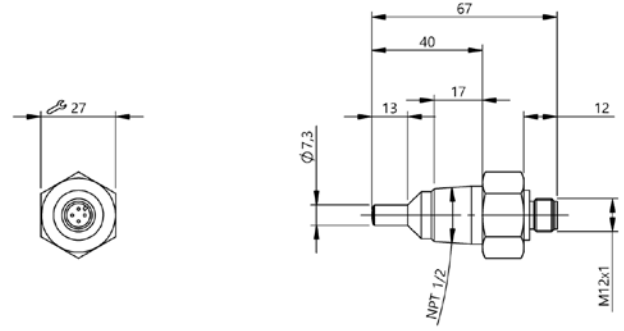
	BFF000A BFF TX006-DA004-D00A2C-S4	BFF0008 BFF TX010-HA004-D00A2C-S4	
Working range	0.1...2 l/min water	1...10 l/min aqueous media	
Operating voltage U_b	22...26 VDC	22...26 VDC	
Switching output	2x PNP normally open/normally closed (NO/NC)	2x PNP normally open/normally closed (NO/NC)	
Connection	Connector, M12x1 connector, 4-pin	Connector, M12x1 connector, 4-pin	
Installation length from contact surface	—	—	
Inside diameter	6 mm	10 mm	
Process connection	G 1/4" outer	G 1/2" outer	
Process connection material	Stainless steel (1.4571)	Stainless steel (1.4571)	
Gasket, material	AFM 34	AFM 34	
Housing material	PBT	PBT	
Media temperature	0...60 °C	-10...80 °C	
Pressure rating max.	10 bar	20 bar	
Ambient temperature	0...60 °C	0...60 °C	
Protection degree	IP54	IP54	
Approval/Conformity	CE	CE	
Additional text	—	—	
Productview	Pager 410	Pager 410	



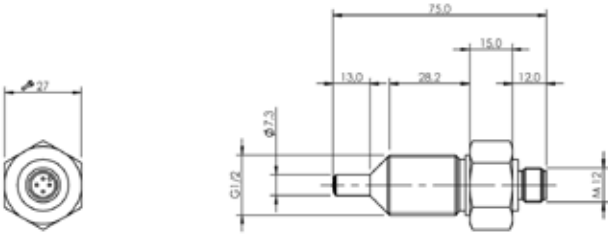
	BFF0009 BFF TX015-HA004-D00A2C-S4	BFF0007 BFF TX015-HA003-D06A2A-S4		
	1...20 l/min aqueous media	2...25 l/min aqueous media		
	22...26 VDC	20...28 VDC		
	2x PNP normally open/normally closed (NO/NC)	PNP		
	Connector, M12x1 connector, 4-pin	Connector, M12x1 connector, 4-pin		
	—	—		
	15 mm	15 mm		
	G 1/2" outer	G 1/2" outer		
	Stainless steel (1.4571)	Stainless steel (1.4571)		
	AFM 34	AFM 34		
	PBT	PBT		
	-10...80 °C	0...80 °C		
	20 bar	20 bar		
	0...60 °C	0...60 °C		
	IP54	IP67		
	CE	CE, cULus		
	—	—		
	Pager 410	Pager 410		



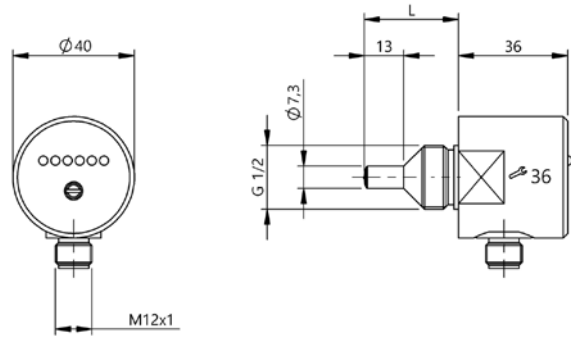
BFF0004



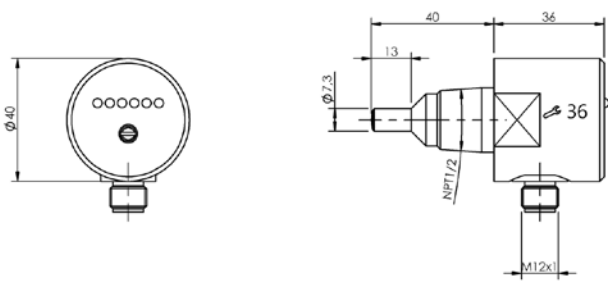
BFF0006



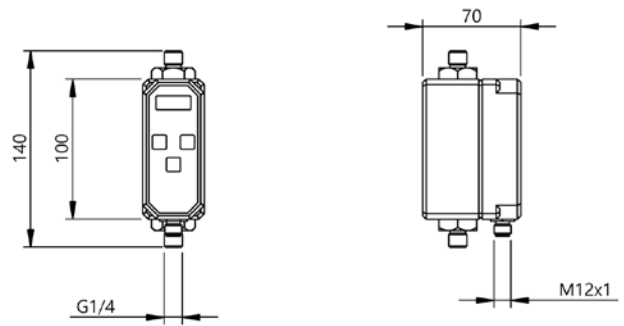
BFF0005



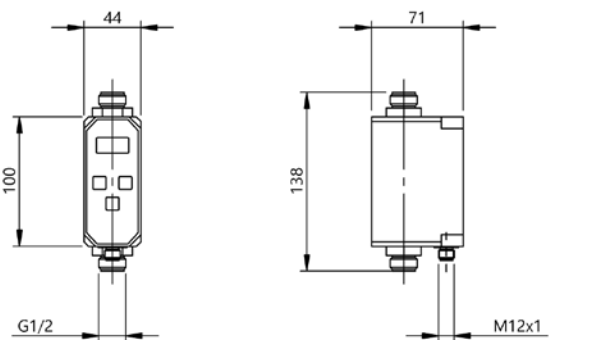
BFF0001, BFF0002



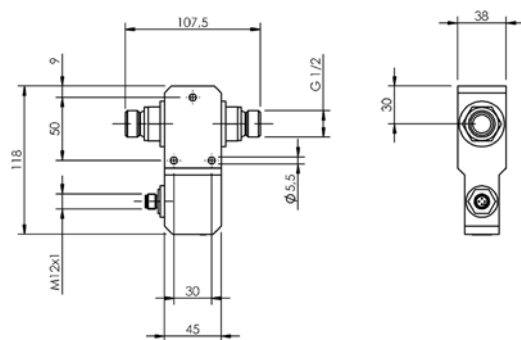
BFF0003



BFF0000A



BFF0008, BFF0009

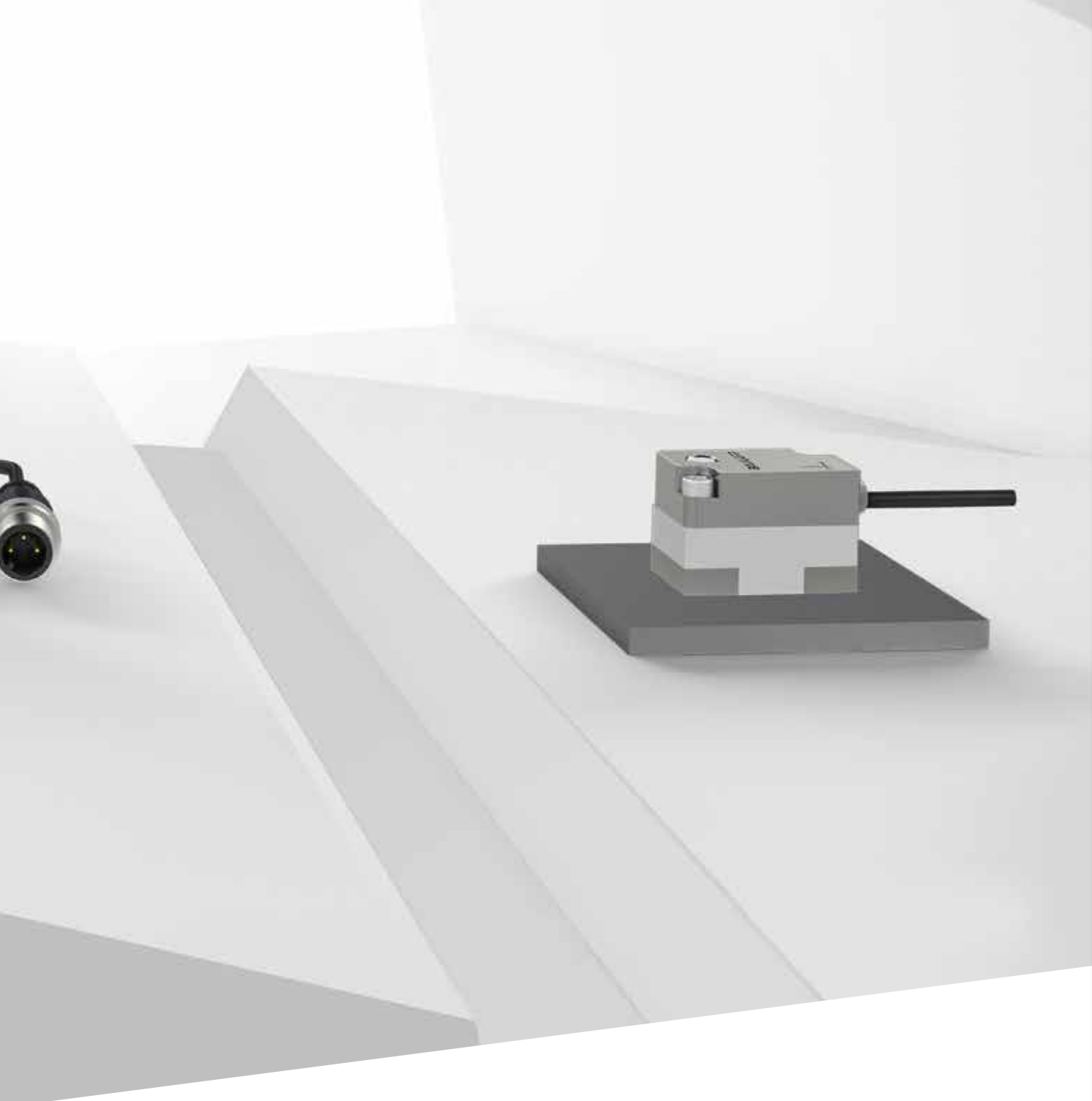


BFF0007



With integrated data pre-processing

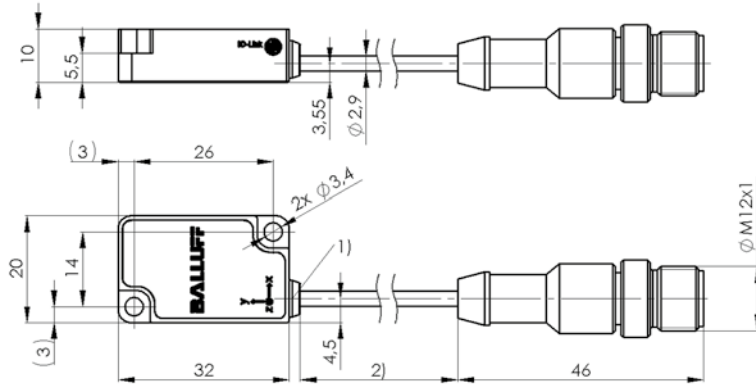
CONDITION MONITORING SENSORS



BCM multi-functional condition monitoring sensors support the efficient and fault-free operation of any equipment and significantly enhance the efficiency of the overall plant. Unplanned stoppages and interruptions in the production process can now be prevented because these intelligent sensors provide you with condition information which you can use for planning predictive maintenance and repair and automating cost-intensive manual inspections. Being able to detect, process and interpret the condition of machines and equipment as well as their associated components is also essential for the Industrial Internet of Things.

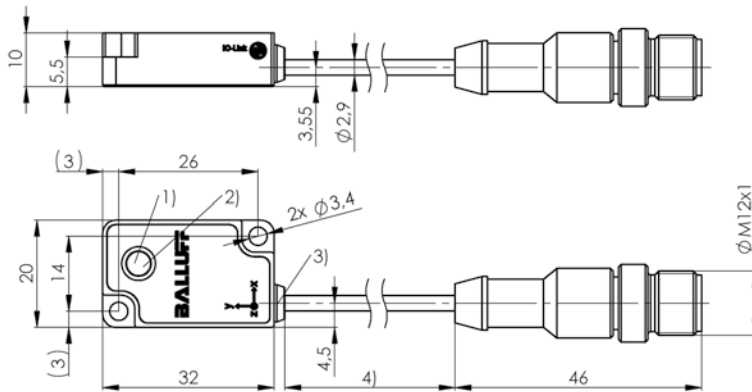


	BCM0001 BCM R15E-001-DI00-01,5-S4	BCM0002 BCM R15E-002-DI00-01,5-S4
Function	Vibration Velocity, Vibration Acceleration, Vibration Severity Zone, Contact Temperature, Sensor Self-Awareness	Vibration Velocity, Vibration Acceleration, Vibration Severity Zone, Contact Temperature, Relative Humidity, Ambient Pressure, Sensor Self-Awareness
Vibration, frequency range	2...3200 Hz	2...3200 Hz
Vibration, number of measuring axes	3	3
Vibration velocity, measuring range RMS	0...220 mm/s @79.4 Hz	0...220 mm/s @79.4 Hz
Vibration acceleration, measuring range RMS	0...16 g	0...16 g
bas_contact_temperature_range	0...70 °C	0...70 °C
Relative humidity, measuring range	—	5...95 %rF
Ambient pressure, measuring range	—	300...1100 hPa
Rated operating voltage Ue DC	24 V	24 V
Interface	IO-Link 1.1	IO-Link 1.1
Interface setting option	Flexible process data configuration, Vibration measurement based on ISO 10816-3, Data preprocessing (statistics), Events (pre-alarms and main alarms), Delay times for alarms, Search function with LED display (ping)	Flexible process data configuration, Vibration measurement based on ISO 10816-3, Data preprocessing (statistics), Events (pre-alarms and main alarms), Delay times for alarms, Search function with LED display (ping)
Connection	Cable with connector, M12x1-Male, 3-pin, 1.5 m, PUR	Cable with connector, M12x1-Male, 3-pin, 1.5 m, PUR
Housing material	Stainless steel (1.4404)	Stainless steel (1.4404), Membrane: ePTFE with nylon fleece
IP rating	IP67, IP68, IP69K	IP67
Ambient temperature	0...70 °C	0...70 °C



1) LED, 2) Cable length

BCM0001



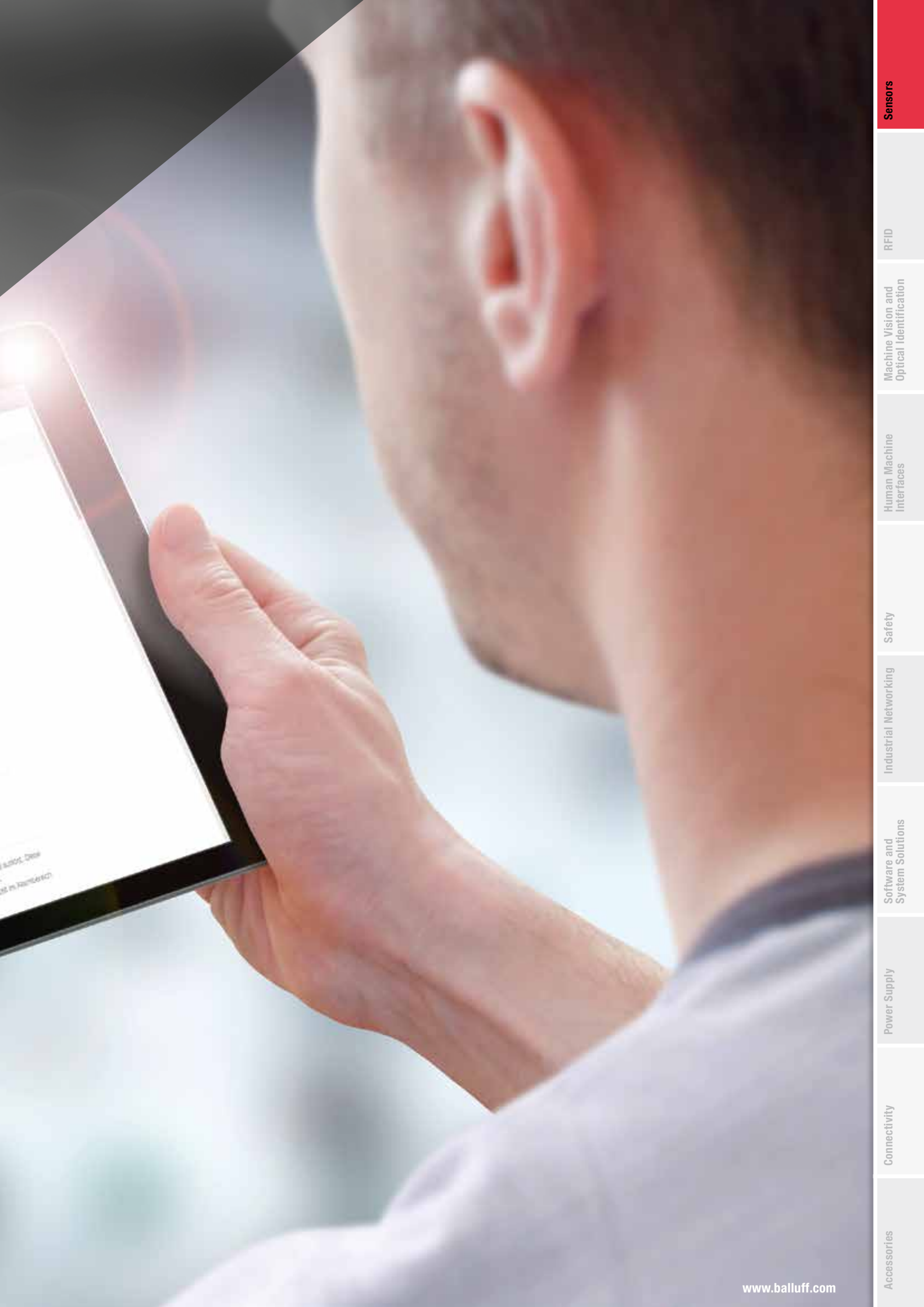
1) Membrane, 2) LED orange, 3) LED green, 4) Cable length

BCM0002

Sensors 2

BASICS AND GLOSSARY





...sicht, Des
... in Fachbereich

Accessories

Connectivity

Power Supply

Software and
System Solutions

Industrial Networking

Safety

Human Machine
Interfaces

Machine Vision and
Optical Identification

RFID

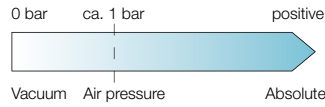
Sensors

Absolute

Characteristic of a magnetic coded measuring system whereby the measured value for the current position is available as soon as the device is powered up. Each position, e.g. a measurement section, is assigned an absolute, coded digital signal or an analog value. A reference run is not required.

Absolute pressure

Pressure with respect to zero pressure (vacuum). The value range of absolute pressure is always positive.

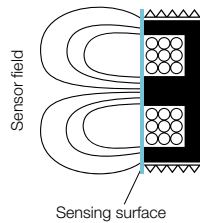


Distance sensor with analog output

A sensor which generates a continuously varying output signal which is a function of the distance between the sensing surface and the actuation element.

Sensing surface

Actively measuring area and thereby the externally sensitive electrode/plate of the electrode system. It is generally somewhat smaller than the surface of the cover.

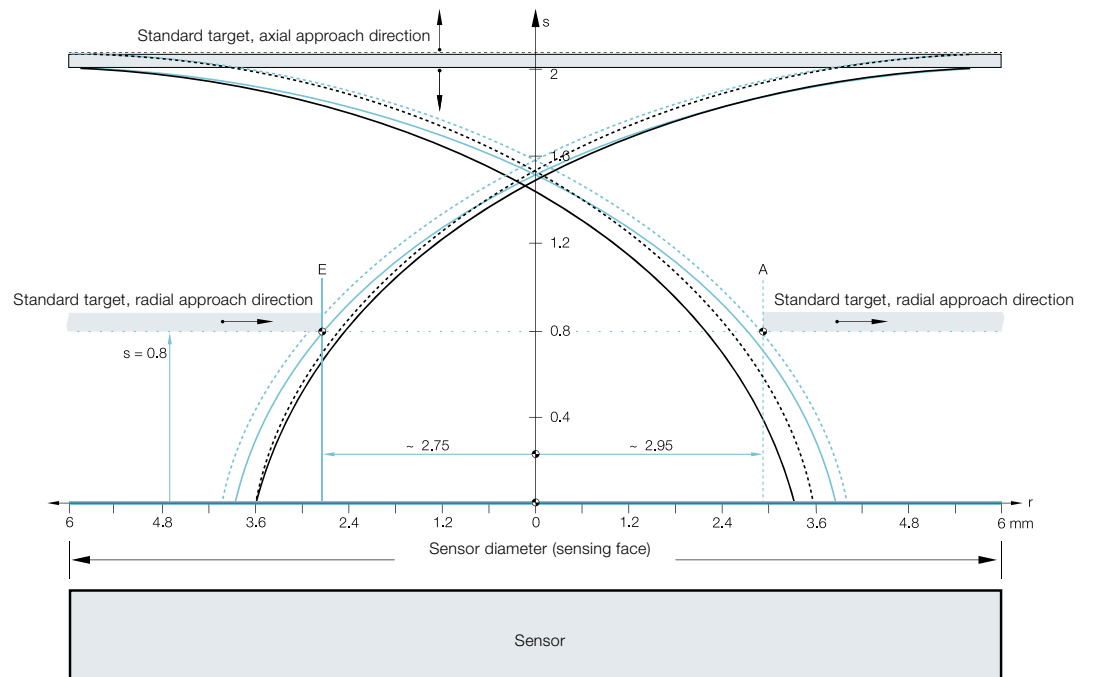


Analog sensor

A sensor whose output signal is represented as a continuously varying analog value (e.g. 0...10 V, 4...20 mA).

Approach direction

Direction of an object as it enters the detection range/active range of a sensor.



Response time	The time between the change in pressure and the change in the switching output state.
Non-equivalence	Switching function whereby a sensor provides two signals at the same time when it switches, the normally open (NO) and the normally closed (NC) function. When an object is detected, both outputs are switched.
Working range S_a	The travel distance available for position detection.
Resolution (sensor technology)	The minimum "movement increment" in a measuring system which can trigger a change in the output signal (for distance measuring systems) or how finely incremented an analog variable can be represented in binary (for network modules).
Output signal	Signal that a sensor sends to the controlling unit. Both sensor versions determine the type of output signal. Switching sensors work with a digital signal (switching state 0 or 1), measuring sensors with an analog signal or a digital count value.
Output current I_e	The maximum current with which the output of the sensor may be loaded in continuous operation. Also referred to as operating current.
Output current max.	The maximum current with which the switching output of the sensor may be loaded in continuous operation.
Output resistance	Resistance (R_a) at the output of a circuit or component. The output resistance is generally a frequency-dependent, complex resistance with amount and phase and is referred to as output resistance.
Turn-off time	The time a sensor requires to respond when the target leaves the detection range at a factor of 0.5 of the radiant power.
Limited rated short-circuit current	Value of the unaffected short circuit current which the short circuit protected circuit can withstand during the entire turn-off time (duration of current flow) of the device under specified conditions. This current is prescribed in the standard in order to test the short-circuit protection of sensors.
Effective distance s_e	Point in the middle of a sensor's range of linearity s_l . Serves as a reference point for further specifications.
Rated operating voltage	The maximum voltage at which the sensor can be used in normal use. Indicated by U_e . DC switches: $U_e = 24 \text{ V DC}$; AC and AC/DC switches: $U_e = 110 \text{ V AC}$.

Rated operating current	The permissible output current which flows through the load R_L .
Rated supply frequency	Frequency of the operating voltage when using alternating current
Rated isolation voltage	The voltage to which the insulation checks and the air and creepage distances refer. For sensors, the highest rated operating voltage is considered the rated insulation voltage.
Rated operating distance S_n	Switching distance not taking into account manufacturing tolerances, sample deviations and external effects such as temperature and voltage.
Time delay before availability	Duration between the application of power and the availability of a sensor.
Burst pressure	Pressure in the medium which the pressure sensor must withstand without being destroyed. If this pressure is exceeded, it is certain that pressurized components will burst, the device will begin to leak or be mechanically destroyed.
Operating voltage U_b	Voltage range (V) in which flawless functioning of the sensor is assured. It includes all voltage tolerances and ripple.
Operating current	The maximum current with which the output of the sensor may be loaded in continuous operation. Also referred to as output current.
Blind zone	Area between the active surface and minimum switching distance within which a target cannot be detected.
Flush installation	Installation type in which a proximity switch can be embedded in metal up to its active surface.
Distance sensor with analog output	A sensor which generates a continuously varying output signal which is a function of the distance between the sensing surface and the target point. It generates a linear output signal within a certain range (measuring range).
Flameproof encapsulation "d" designation "Ex d"	Feature of parts which could ignite a potentially explosive atmosphere and which must therefore be housed in a special enclosure. This housing must withstand the pressure inside the housing if there is an explosion from an explosive mixture and must prevent transfer of the explosion to the explosive atmosphere surrounding the housing.

Pressure peak An abrupt pressure load which can be magnitudes greater than the normal pressure. Pressure peaks are caused for example by rapidly closing valves. The pressure rises in a very short time to high values. Pressure peaks can cause lasting damage to the sealing system and the measuring cell of the pressure sensor as well as pressure carrying lines and other system components.

On delay Time a sensor requires to be ready when an object enters the capture range.

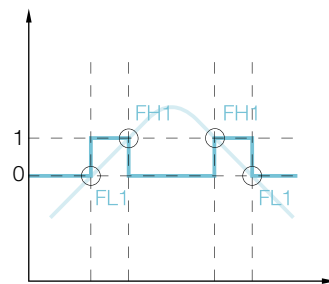
Electromagnetic Compatibility (EMC) The property of a sensor to neither interfere with or be interfered by undesired electrical or electromagnetic effects or by other devices.

Receiver lobe Area in front of the receiver of a photoelectric sensor in which it can recognize the object.

Detection range Range in which the switching distance of a sensor from the standard target can be adjusted.

Ex-Zone Areas with high requirements for safety and reliability of sensors, since they may cause explosions. These areas are divided up by zones, each based on the frequency and duration of the occurrence of hazardous explosive atmosphere.

Window, adjustable The output function is activated when the measured value falls between the preset switching and return point. Window function: The range between a defined lower pressure limit and a defined upper limit is known as a window. A switching operation is initiated as soon as the upper or lower limit of the programmed pressure range is exceeded.



Food and Drug Administration Regulatory body for the US American food and drug industry. It certifies devices, materials and equipment in these sectors. Product designations of this kind make your system eligible for FDA approval.

Clear zone (sensor technology) Installation area in which no material is permitted which could affect the characteristic values.

Full Scale (FS, end value) Maximum measuring variable to which a device is adjusted, e.g. 20 mA.

Full Scale Output (FSO)

Difference between the upper and lower limit of the output. Example: A pressure sensor with a measuring range of 0...6 bar and a corresponding output signal of 4...20 mA has an FSO of 16 mA.

Magnetic coded function principle

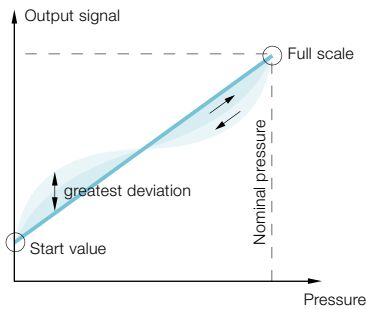
Technical procedure for determining the position using magnetic coding. A tape or disk with alternately polarized magnetic coding is read by a suitable read head passing over the tape. From the location of the read head from the individual magnetic codes the position information can be obtained.

Magnetostrictive function principle

Technical procedure for determining the position of a magnetic target by means of a torsional wave. The interaction of a moving magnetic target with an electrically stimulated magnetostrictive waveguide results in a torsional wave which propagates on the waveguide at a known velocity. By measuring the time until the torsional wave passes through a receiver coil the position of the target is determined.

Accuracy

Indicates how much the actual characteristic can deviate from the ideal characteristic (according to IEC 60770 non-linearity, hysteresis and repeatability). Accuracy specifications represent a percentage value of the measurement range (FSO) and never include dimensions. Nominal pressure 50 bar, output 4...20 mA, accuracy 0.5 % results in a maximum deviation of 0.08 mA (equivalent to a pressure value of 0.25 bar).

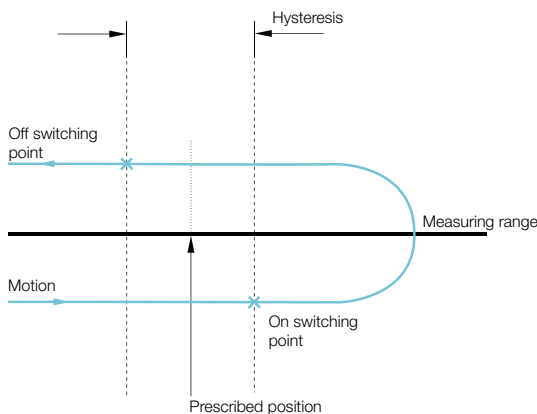


Assured switching distance S_a

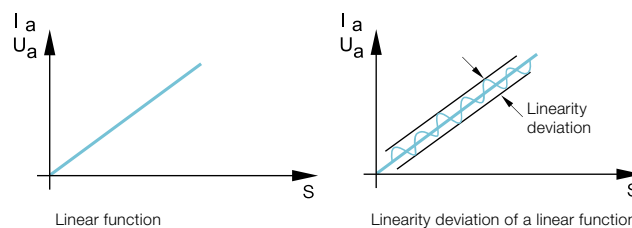
Switching distance within which assured operation of the sensor at a specified voltage and temperature range is given ($0 \leq s_a \leq 0.81 s_n$).

Hysteresis

Signal difference resulting for measurement sensors when a mechanically prescribed position is approached from one side, then crosses this point and afterwards approaches this same position from the other direction. Position difference between switching point (object approaches) and switch-back point (object travels away) for switching sensors.



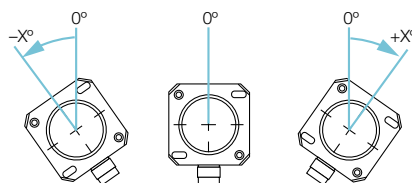
Incremental	Characteristic of a measuring system whereby after the system is switched on, the current measured value is not available immediately. A reference run to a defined point, a reference point, is necessary in order to obtain a position value. The position value is calculated by adding or subtracting individual, equal increments from the reference point.
Characteristic curve	Dependency of the output signal on the input signal. The greater the effect of the input signal on the output signal, the more sensitive the measuring device is. The sensitivity of a measuring device is indicated by the slope of the curve.
Minimum operating current	Minimum current (mA) required when energizing the output to maintain operation.
Short-circuit rating	Characteristic of components or assemblies which indicates the short-circuit current which the component or assembly can withstand.
Short-circuit protection	Protective device for overload and short-circuit. Present in all our DC sensors. In the event of overload or short-circuit at the output, the output transistor is automatically switched off. As soon as the malfunction has been corrected, the output stage is reset to normal functioning.
Short-term current carrying capacity I_k	For an AC device the short-term permissible current I_k (eff) during a specified turn-on duration t_k (ms) and repetition rate f (Hz).
No-load current	The maximum internal current consumption with no load connected to the switching output (in general at $U_{B\ max.}$ and actuated).
Cable break protection	Characteristic of 3-wire switches which prevent malfunction when there is a cable break. A built-in diode prevents the current from flowing via the output line A.
Reading distance (sensor technology)	The permissible working distance between sensor head and tape.
Non-linearity	Maximum deviation from the straight line that connects the zero point of the measuring range to the end point or full extension. There is a linear relationship between the position or path to be measured and the output signal for a voltage, current or digitized output information. This feature may be restricted to a defined linearity range.



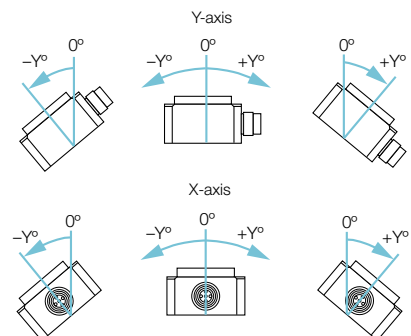
Linearity range	Working range in which the sensor has defined linearity.
Linearity error	Maximum deviation from the straight line that connects the zero point of the measuring range to the end point or full extension. There is a linear relationship between the position or path to be measured and the output signal for a voltage, current or digitized output information. This feature may be restricted to a defined linearity range.
Magnetic function principle	Sensor principle based on detection of a magnetic field or its change. The sensitivity to the magnetic field can be set on the sensor.
Measurement speed	Speed with which changes to the active surface of a sensor are registered, processed and outputted. Up to the specified measuring speed the distance to a linear moving object can be reliably detected. The direction of movement of the object is parallel to the sensing face of the sensor.
Measuring length	Usable travel distance, i.e. the available distance/length measuring range of a measuring system
Sampling rate	The frequency at which the output distance/travel information is updated. It can be the same as the number of measurements per second. A high measurement rate for rapidly changing positions is important if a process is time-critical.
Nominal pressure	The maximum design pressure.
Rated operating distance S_n	Maximum achievable switching distance from the standard target under device specification (generally with s_n as shipped from the factory).
Unusable area	Area in which undesirable reflections are attenuated. This area is always outside of the measuring range. Depending on the transducer model, either an erroneous output signal or an error signal will be output if the encoder is allowed to travel into this zone, which must not be considered valid information.

Inclination axis

1-axis (vertical installation)



2-axis (horizontal installation)



Normally closed (NC)

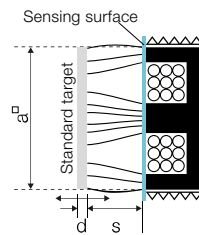
Also "Normally closed" – sensor principle/output function in which the switching output is inactive (not energized) when the sensor detects an object. The switching output is energized when no object is present.

Normally open (NO)

Also "Normally open" – sensor principle/output function in which the switching output is active (energized) when the sensor detects an object. The switching output is not energized when no object is present. This principle is the most commonly used in automation technology.

Standard target

A square plate made of Fe 360 (ISO 630), used to define sensing distances per EN 60947-5-2. Thickness is 1 mm; the side length "a" corresponds to the diameter of the inscribed circle of the active surface or $3 s_n$, if the value is larger than the named diameter.



NPN output

An output type such that the load on the switching output is connected to the supply voltage (+ U_S as a reference point. When a threshold value is reached the ground (GND) is switched and the current can flow from + U_B through the load across the transistor to GND. The output switches to - U_B . Also referred to as a sinking output. This type of output is common in Asia.

Zero point

Position of the lowest value of the measuring range. The zero point can be custom set for some transducer models. The zero point must lie within the measuring range.

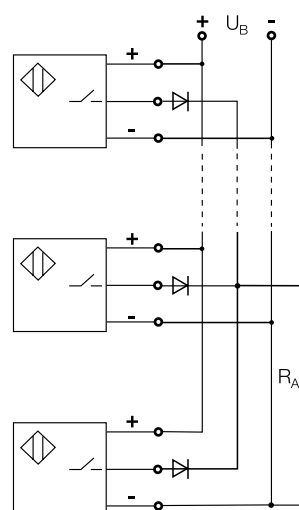
Usable operating distance

The permissible operating distance is the permitted switching distance within fixed voltage and temperature limits ($0.81 s_n \leq s_u \leq 1.21 s_n$).

Parallel circuit

Electrical circuit type in which all the switching elements and their same named poles are connected in common to each other, so that multiple current paths result.

3-wire DC-switch



2-wire DC-switch

Parallel wiring of 2-wire-sensors is not recommended, since missed pulses can be caused by the ready delay as the oscillator begins to oscillate.

PNP output

An output type such that the load is connected on the switching output to GND as a reference point. When a threshold value is reached the supply voltage (+ U_B) is switched and the current can flow from + U_B through the load across the transistor to GND. The output switches to + U_B . Also referred to as a sourcing output. This type of output is common in Europe and North America.

Response time

The time which a sensor requires in order to reliably and steadily change the output signal. The specified time, which was determined at the maximum measuring speed, includes both the electrical response time of the sensor and the time for the mechanical change of the damping state.

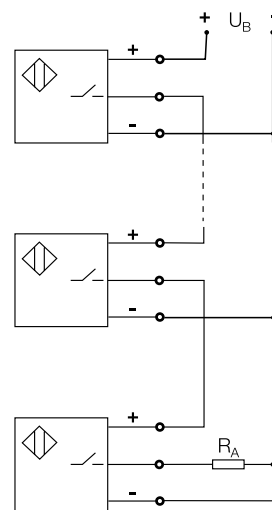
Effective operating distance S_e

The switching distance of a single proximity switch measured under specified conditions, e.g. flush mountable, rated operating voltage U_e , temperature T_a .

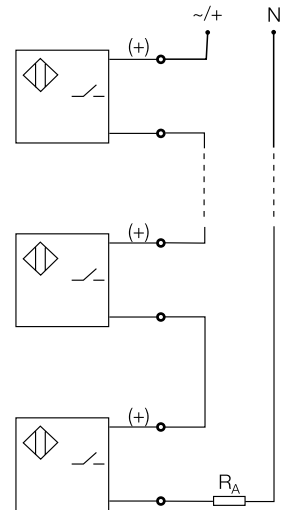
Series connection

Electrical circuit type in which the components are connected to each other in a string so that they form a single current path.

3-wire DC-switch

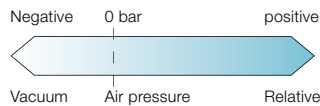


2-wire DC-switch (AC/DC)



Relative pressure

The pressure as a ratio to atmospheric air pressure (ambient pressure). Measuring pressures greater than air pressure always produces positive values. Pressures lower than air pressure produce negative values.



Repeatability

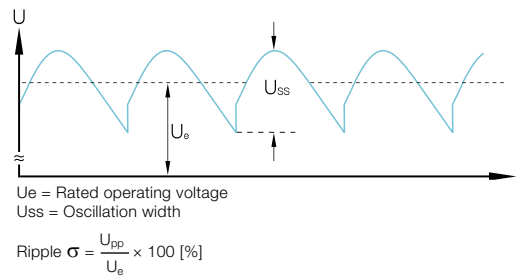
Measurement deviation when approaching a certain position from different directions. Reproducibility is the sum of the hysteresis and the resolution.

Off-state current

The current which flows in the load circuit when a sensor is not conducting (open).

Ripple

The maximum permissible AC voltage (peak-to-peak of U_e) which may be superimposed on the operating voltage U_s without affecting the function of the sensor.

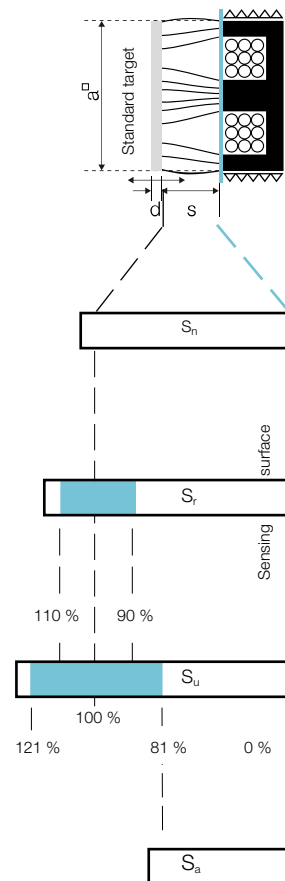


Sound deflection

Direction change/diversion of the sound beam which is caused by a smooth mechanical reflective surface. Used for example in tight mounting conditions or for protecting against contamination from the environment.

Switching distance

The distance between the standard target and the sensing surface of the sensor at which a signal change is triggered as per EN 60947-5-2. For a normally open switch this means from OFF to ON and for normally closed from ON to OFF.



Switching output

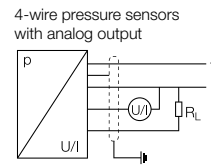
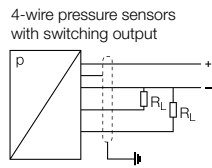
Electrical connection of a sensor by which the state (active/inactive) is indicated.

Switching sensor

A sensor with binary output signal which changes when a threshold is exceeded or under-shot (1 or 0, high/low, active/inactive). This indicates the switching status of the sensor.

Switching function

Output characteristic of a sensor. For example pressure sensors use the switching function to switch an output on or off depending on the pressure value and the set switching threshold. The switching threshold can be configured for example over IO-Link.

**Sensor**

"Sensory organ" of a machine which transforms the physical variable of an object to be measured into an electrical variable.

Voltage drop U_d

The maximum voltage loss of the switching final stage between switching output and $+U_B$ (PNP) or $-U_B$ (NPN) at the maximum specified load current.

Slope

The slope is a measure of the sensitivity of the sensor with respect to a distance change. This physical relationship can be calculated for travel sensors as follows:

$$\text{Slope } S \text{ [V/mm]} = \frac{U_a \text{ max} - U_a \text{ min}}{s_a \text{ max} - s_a \text{ min}}$$

or

$$\text{Slope } S \text{ [mA/mm]} = \frac{I_a \text{ max} - I_a \text{ min}}{s_a \text{ max} - s_a \text{ min}}$$

SYNC mode

Procedure for determining and transmitting the absolute positioning information of the position measurement system, e.g. an axis controller or regulating controller. This takes place synchronously with the processing electronics. It ensures that the time offset for the measurement is minimal. SYNC mode is meaningful for sensors which operate synchronously.

System accuracy

Deviation of the system measured value from the actual value for the object. It includes the position deviations within any given meter of the measuring range for linear measurements or one rotation for rotary measurements. Indicates the linearity class of a distance measuring system. The accuracy of the sensor head depends largely on mechanical manufacturing tolerances and component tolerances; the accuracy of the tape is determined by the material quality and the magnetization grade.

Teach-in

Method for setting sensors by pressing a button. No potentiometers or slide switches are used. Because there are defined setting increments, the advantage is that the sensor cannot be set in an unreliable range. The microcontroller also assumes control of the contamination indicator and the contamination output.

Temperature coefficient

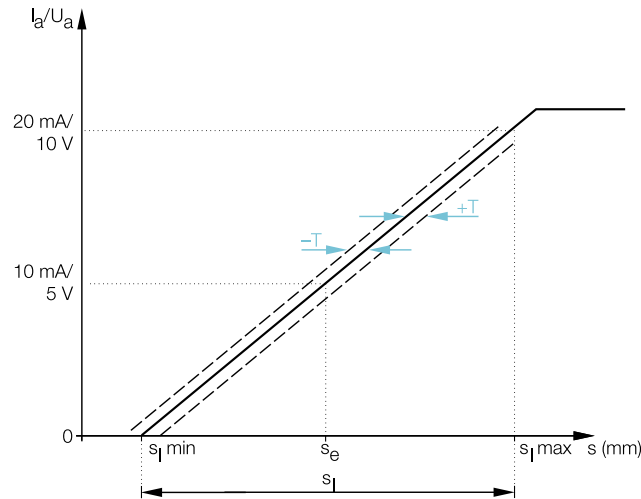
Describes the deviation of the sensor output signal under the effect of a temperature change, and thus represents a quality criterion for the sensor also.

Temperature drift

The temperature drift is the shift a point experiences on the actual output curve at different temperatures. The temperature drift is described by the temperature coefficient.

Tolerance T

A variable which defines the manufacturing tolerance band of the output curve, thereby determining the maximum sample deviation.



Ultrasonic function principle

Detection of objects using sound waves which are reflected directly back from a target.

Ambient temperature T_a

The maximum permissible temperature range at which a sensor may be operated while ensuring reliable functioning of the sensor.

Reverse polarity protection

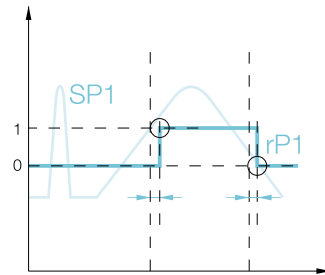
Also called polarity reversal protection. This sensor technology protects against reversal of the supply voltage (plus and minus) and reversal of the connection wires (brown and blue).

Contamination

Dirt and dust particles which collect on a sensor and reduce the range of photoelectric sensors and fiber objects compared with pure air. Deposits on the lens reduce its light transmission. The light is absorbed and scattered in the beam path. An oil-free source of compressed air can be used to prevent the effects of dirt and contamination due to impure air.

Delay time

Time until a sensor function is ready. This time function can be set. With a pressure sensor for example rapid pressure fluctuations can be reliably filtered out. When there is a pressure change in the medium the changed state is not compared with the set switching threshold until after the delay time has expired. If the switching event no longer exists by the time the delay has elapsed, the switching output does not change.

**Displacement sensors with analog output**

Displacement sensors with analog output are sensors that generate a continually varying output signal that depends on the distance between its sensing surface and the location of the position encoder relative to the sensor.

Repeat accuracy

Variance in the output values when approaching a mechanically prescribed position repeatedly from the same direction.

**Ignition protection category "n"
Designation "Ex n"**

Feature of devices which are intended for use in areas where an explosive atmosphere is not expected. Even if the atmosphere were to become explosive, in all probability it would be infrequent and only for a short period of time. A manufacturer's declaration confirms that the product satisfies requirements for the use of electrical equipment in potentially explosive areas according to EN 60079-15. This designation combines multiple methods of ignition protection.

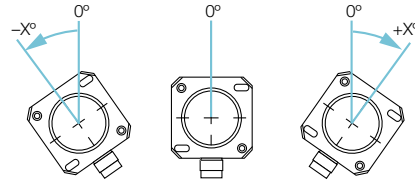
Reverse protected

The sensor electronics is protected against any possible reversal combination of all the leads.

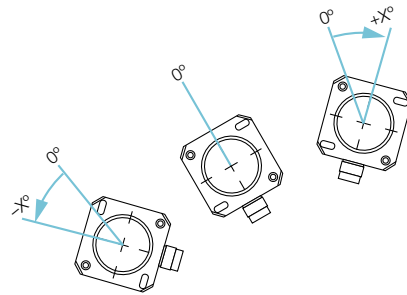
Centering function with MEMS-based inclination sensors

1- and 2-axis: factory calibrated – can be individually centered
 Available are 1- and 2-axis versions which are factory calibrated to the perfect vertical or horizontal. The maximum deviation for each is 0.2°. If the current installation position deviates from these perfect vertical and horizontal alignments, the sensor can be centered. The single-axis version can be centered in a vertical position over 360° (see illustrations), whereas the dual axis version can only be set in a range of ±5° from the horizontal.

Starting position – working range (±x°) as factory set



New position – working range (±x°) after centering



Alphanumeric Index

SORTED BY ORDERING CODE

BCM0001	BCM R15E-001-DI00-01,5-S4	415	BML SF2	BML SF2-I2__-AZZZ-ZZZ5-_-_-_-_-	
BCM0002	BCM R15E-002-DI00-01,5-S4	415		BML SF2-I2_-_-QZ_-_-Z_-_-5-_-_-_-_-	59
BFF000A	BFF TX006-DA004-D00A2C-S4	409	BSI000A	BSI R65K0-XA-MYS015-S115	331
BFF0002	BFF T7048-HA001-D06A2A-S4	407	BSI000C	BSI R65K0-XA-MYS030-S115	331
BFF0001	BFF T7031-HA001-D06A2A-S4	407	BSI000E	BSI R65K0-XA-MYS045-S115	331
BFF0003	BFF T7040-JA001-D06A2A-S4	407	BSI000F	BSI R65K0-XA-MYS090-S115	331
BFF0005	BFF T7048-HA002-R03A0A-S4	407	BSI000H	BSI Q41K0-XB-MXP360-S92	323
BFF0004	BFF T7031-HA002-R03A0A-S4	407	BSI000J	BSI Q41K0-XB-MXS015-S92	321
BFF0006	BFF T7040-JA002-R03A0A-S4	407	BSI000K	BSI Q41K0-XB-MXS030-S92	321
BFF0007	BFF TX015-HA003-D06A2A-S4	409	BSI000L	BSI Q41K0-XA-MXP360-S92	321
BFF0008	BFF TX010-HA004-D00A2C-S4	409	BSI000M	BSI Q41K0-XA-MXS015-S92	321
BFF0009	BFF TX015-HA004-D00A2C-S4	409	BSI000N	BSI Q41K0-XA-MXS030-S92	321
BFT000A	BFT 6100-FC002-A06A1A-S4	399	BSI000P	BSI Q41K0-XB-MXS045-S92	321
BFT0001	BFT 6025-DX001-R02A0A-S4	397	BSI000R	BSI Q41K0-XB-MXS090-S92	323
BFT001A	BFT 6100-JC003-A02A0C-S4	397	BSI000T	BSI Q41K0-XA-MXS045-S92	321
BFT001E	BFT 6050-JC003-A00A0C-S4	395	BSI000U	BSI Q41K0-XA-MXS090-S92	321
BFT001C	BFT 6025-JC003-A00A0C-S4	393	BSI000W	BSI Q41K0-XB-MYS015-S92	329
BFT001F	BFT 6100-JC003-A00A0C-S4	395	BSI000Y	BSI Q41K0-XB-MYS030-S92	329
BFT001H	BFT 6025-HV003-D00A0C-S4	393	BSI000Z	BSI Q41K0-XA-MYS015-S92	329
BFT001J	BFT 6050-HV003-D00A0C-S4	395	BSI001A	BSI R65K0-XB-MXS090-S115	325
BFT001K	BFT 6100-HV003-D00A0C-S4	395	BSI001C	BSI R65K0-XA-MXS015-S115	323
BFT001L	BFT 6025-JC003-D00A0C-S4	393	BSI001E	BSI R65K0-XB-MXS015-S115	325
BFT001M	BFT 6050-JC003-D00A0C-S4	395	BSI001F	BSI R65K0-XA-MXS045-S115	323
BFT001N	BFT 6100-JC003-D00A0C-S4	397	BSI0002	BSI R11A0-XB-CXS045-S75G	323
BFT001P	BFT 6025-HX001-R02A0A-S4	397	BSI0003	BSI R11A0-XXR-CXP360-S75G	323
BFT001R	BFT 6050-HV001-R02A0A-S4	397	BSI0004	BSI R11A0-XB-CXP360-S75G	323
BFT0002	BFT 6050-DX001-R02A0A-S4	397	BSI0005	BSI R65K0-XA-MXS090-S115	325
BFT0003	BFT 6025-FC001-R02A0A-S4	397	BSI0006	BSI R65K0-XB-MYS015-S115	331
BFT0004	BFT 6050-FC001-R02A0A-S4	397	BSI0007	BSI R65K0-XB-MYS030-S115	331
BFT0005	BFT 6025-DX002-A06A1A-S4	399	BSI0008	BSI R65K0-XB-MYS045-S115	331
BFT0006	BFT 6050-DX002-A06A1A-S4	399	BSI0009	BSI R65K0-XB-MYS090-S115	331
BFT0007	BFT 6100-DX002-A06A1A-S4	399	BSI0010	BSI Q41K0-XA-MYS030-S92	329
BFT0008	BFT 6025-FC002-A06A1A-S4	399	BSI0011	BSI Q41K0-XB-MYS045-S92	329
BFT0009	BFT 6050-FC002-A06A1A-S4	399	BSI0012	BSI Q41K0-XB-MYS090-S92	329
BFT0012	BFT 6025-HV003-A02A0C-S4	393	BSI0013	BSI Q41K0-XA-MYS045-S92	329
BFT0013	BFT 6050-HV003-A02A0C-S4	393	BSI0014	BSI Q41K0-XA-MYS090-S92	329
BFT0014	BFT 6100-HV003-A02A0C-S4	395	BSI0015	BSI R65K0-XB-MXP360-S115	325
BFT0015	BFT 6025-HV003-A00A0C-S4	393	BSI0016	BSI R65K0-XA-MXP360-S115	325
BFT0016	BFT 6050-HV003-A00A0C-S4	393	BSI0017	BSI R65K0-XA-MXS030-S115	323
BFT0017	BFT 6100-HV003-A00A0C-S4	395	BSI0018	BSI R65K0-XB-MXS030-S115	325
BFT0018	BFT 6025-JC003-A02A0C-S4	393	BSI0019	BSI R65K0-XB-MXS045-S115	325
BFT0019	BFT 6050-JC003-A02A0C-S4	395	BSP00F3	BSP B400-DV004-A06A1A-S4	353
BML08MH	BML SGA-AEZ1-LZZZ-TU11-S284	52	BSP00FT	BSP B100-HV004-A06A1A-S4	349
BML085L	BML SGA-AEZ1-LZZZ-ZU11-S115	52	BSP00FU	BSP B160-HV004-A06A1A-S4	349
BML0901	BML SL1-ALZ1-UMZZ-AU1L-S284	50	BSP00FW	BSP V002-DV004-A06A1A-S4	351
BML0903	BML SL1-ALZ1-UMZZ-ZU1L-S4	50	BSP00FY	BSP V010-DV004-A06A1A-S4	351
BML0904	BML SL1-ALZ1-UEZZ-ZU1L-S4	50	BSP00FZ	BSP B002-DV004-A06A1A-S4	351
BML0905	BML SL1-ALZ1-UMZZ-AU1L-KA05	50	BSP00H0	BSP B005-DV004-A06A1A-S4	351
BML-S1C0	BML-S1C0-Q53_-M400-_0-KA__	61	BSP00H1	BSP B010-DV004-A06A1A-S4	351
BML-S1F	BML-S1F_-A62Z-M3_0-90-_-_-_-_-		BSP00H2	BSP B020-DV004-A06A1A-S4	351
	BML-S1F_-Q61_-M3_0-_0-_-_-_-_-	57	BSP00H3	BSP B050-DV004-A06A1A-S4	351
BML-S1G0	BML-S1G0-_7_--M5E_-_0-S284	55	BSP00H4	BSP B100-DV004-A06A1A-S4	353
BML-S1H	BML-S1H_-_6_C-M3_A-DO-KA00,3-S284	49	BSP00H5	BSP B250-DV004-A06A1A-S4	353
BML-S2C0	BML-S2C0-_-_-_-M6_-_-0-_-_-_-	61	BSP00H6	BSP B600-DV004-A06A1A-S4	353
			BSP00H7	BSP V002-FV004-A06A1A-S4	353

BSP00H8	BSP V010-FV004-A06A1A-S4	355	BSP00KT	BSP B010-HV004-A04A1A-S4	337
BSP00H9	BSP B002-FV004-A06A1A-S4	353	BSP00KU	BSP B020-HV004-A04A1A-S4	337
BSP00HA	BSP B005-FV004-A06A1A-S4	353	BSP00KW	BSP B050-HV004-A04A1A-S4	337
BSP00HC	BSP B010-FV004-A06A1A-S4	353	BSP00KY	BSP B100-HV004-A04A1A-S4	337
BSP00HE	BSP B020-FV004-A06A1A-S4	355	BSP00KZ	BSP B250-HV004-A04A1A-S4	339
BSP00HF	BSP B050-FV004-A06A1A-S4	355	BSP00LO	BSP B400-HV004-A04A1A-S4	339
BSP00HH	BSP B100-FV004-A06A1A-S4	355	BSP00L1	BSP B600-HV004-A04A1A-S4	339
BSP00HJ	BSP B250-FV004-A06A1A-S4	355	BSP00L8	BSP B006-DV004-A04A1A-S4	339
BSP00HK	BSP B400-FV004-A06A1A-S4	355	BSP00PJ	BSP V002-DV004-D06S1A-S4	361
BSP00HL	BSP B600-FV004-A06A1A-S4	355	BSP00PK	BSP V010-DV004-D06S1A-S4	361
BSP00HM	BSP V002-KV004-A06A1A-S4	357	BSP00PL	BSP B002-DV004-D06S1A-S4	361
BSP00HN	BSP V010-KV004-A06A1A-S4	357	BSP00PM	BSP B005-DV004-D06S1A-S4	361
BSP00HP	BSP B002-KV004-A06A1A-S4	355	BSP00PN	BSP B010-DV004-D06S1A-S4	361
BSP00HR	BSP B005-KV004-A06A1A-S4	357	BSP00PP	BSP B020-DV004-D06S1A-S4	361
BSP00HT	BSP B010-KV004-A06A1A-S4	357	BSP00PR	BSP B050-DV004-D06S1A-S4	361
BSP00HU	BSP B020-KV004-A06A1A-S4	357	BSP00PT	BSP B100-DV004-D06S1A-S4	361
BSP00HW	BSP B050-KV004-A06A1A-S4	357	BSP00PU	BSP B250-DV004-D06S1A-S4	363
BSP00HY	BSP B100-KV004-A06A1A-S4	357	BSP00PW	BSP B400-DV004-D06S1A-S4	363
BSP00HZ	BSP B250-KV004-A06A1A-S4	357	BSP00PY	BSP B600-DV004-D06S1A-S4	363
BSP00J0	BSP B400-KV004-A06A1A-S4	359	BSP00T5	BSP V002-FV004-D06S1A-S4	363
BSP00J1	BSP B600-KV004-A06A1A-S4	359	BSP00T6	BSP V010-FV004-D06S1A-S4	363
BSP00J2	BSP V002-HV004-A06A1A-S4	347	BSP00T7	BSP B002-FV004-D06S1A-S4	363
BSP00J3	BSP V010-HV004-A06A1A-S4	349	BSP00T8	BSP B005-FV004-D06S1A-S4	363
BSP00J4	BSP B002-HV004-A06A1A-S4	347	BSP00T9	BSP B010-FV004-D06S1A-S4	363
BSP00J5	BSP B005-HV004-A06A1A-S4	347	BSP00TA	BSP B020-FV004-D06S1A-S4	365
BSP00J6	BSP B010-HV004-A06A1A-S4	349	BSP00TC	BSP B050-FV004-D06S1A-S4	365
BSP00J7	BSP B020-HV004-A06A1A-S4	349	BSP00TE	BSP B100-FV004-D06S1A-S4	365
BSP00J8	BSP B050-HV004-A06A1A-S4	349	BSP00TF	BSP B250-FV004-D06S1A-S4	365
BSP00J9	BSP B250-HV004-A06A1A-S4	349	BSP00TH	BSP B400-FV004-D06S1A-S4	365
BSP00JA	BSP B400-HV004-A06A1A-S4	349	BSP00TJ	BSP B600-FV004-D06S1A-S4	365
BSP00JC	BSP B600-HV004-A06A1A-S4	351	BSP00W2	BSP B001-ZT004-A06A1A-S4-006	359
BSP00JE	BSP V002-DV004-A04A1A-S4	339	BSP00W3	BSP B002-ZT004-A06A1A-S4-006	359
BSP00JF	BSP V010-DV004-A04A1A-S4	341	BSP00W4	BSP M100-ZT004-A06A1A-S4-006	359
BSP00JH	BSP B002-DV004-A04A1A-S4	339	BSP00W5	BSP M250-ZT004-A06A1A-S4-006	359
BSP00JJ	BSP B005-DV004-A04A1A-S4	339	BSP00W6	BSP M500-ZT004-A06A1A-S4-006	359
BSP00JK	BSP B010-DV004-A04A1A-S4	339	BSP00W7	BSP M750-ZT004-A06A1A-S4-006	359
BSP00JL	BSP B020-DV004-A04A1A-S4	341	BSP00Y2	BSP B002-EV009-P00S2B-S4	371
BSP00JM	BSP B050-DV004-A04A1A-S4	341	BSP00Y3	BSP B005-EV009-P00S2B-S4	371
BSP00JN	BSP B100-DV004-A04A1A-S4	341	BSP00Y4	BSP B010-EV009-P00S2B-S4	373
BSP00JP	BSP B250-DV004-A04A1A-S4	341	BSP00Y6	BSP B020-EV009-P00S2B-S4	373
BSP00JR	BSP B400-DV004-A04A1A-S4	341	BSP00Y7	BSP B050-EV009-P00S2B-S4	373
BSP00JT	BSP B600-DV004-A04A1A-S4	341	BSP00Y8	BSP B100-EV009-P00S2B-S4	373
BSP00JU	BSP V002-FV004-A04A1A-S4	343	BSP00YC	BSP B250-EV009-P00S2B-S4	375
BSP00JW	BSP V010-FV004-A04A1A-S4	343	BSP00YH	BSP B400-EV009-P00S2B-S4	375
BSP00JY	BSP B002-FV004-A04A1A-S4	341	BSP00YK	BSP B600-EV009-P00S2B-S4	375
BSP00JZ	BSP B005-FV004-A04A1A-S4	343	BSP00YN	BSP M050-EV009-P00S2B-S4	371
BSP00K0	BSP B010-FV004-A04A1A-S4	343	BSP00YR	BSP V002-EV009-P00S2B-S4	371
BSP00K1	BSP B020-FV004-A04A1A-S4	343	BSP00YT	BSP V010-EV009-P00S2B-S4	373
BSP00K2	BSP B050-FV004-A04A1A-S4	343	BSP00YY	BSP V050-EV009-P00S2B-S4	373
BSP00K3	BSP B100-FV004-A04A1A-S4	343	BSP00YZ	BSP B010-HV009-P00S2B-S4-001	371
BSP00K4	BSP B250-FV004-A04A1A-S4	343	BSP00Z0	BSP V050-HV009-P00S2B-S4-001	371
BSP00K5	BSP B400-FV004-A04A1A-S4	345	BSP00Z1	BSP B100-GV009-P00S2B-S4	375
BSP00K6	BSP B600-FV004-A04A1A-S4	345	BSP00Z2	BSP B250-GV009-P00S2B-S4	375
BSP00K7	BSP V002-KV004-A04A1A-S4	345	BSP00Z3	BSP V010-GV009-P00S2B-S4	375
BSP00K8	BSP V010-KV004-A04A1A-S4	345	BSP00Z4	BSP B002-IV009-P00S2B-S4	381
BSP00K9	BSP B002-KV004-A04A1A-S4	345	BSP00Z5	BSP B005-IV009-P00S2B-S4	381
BSP00KA	BSP B005-KV004-A04A1A-S4	345	BSP00Z6	BSP B010-IV009-P00S2B-S4	383
BSP00KC	BSP B010-KV004-A04A1A-S4	345	BSP00Z7	BSP B020-IV009-P00S2B-S4	383
BSP00KE	BSP B020-KV004-A04A1A-S4	345	BSP00Z8	BSP B050-IV009-P00S2B-S4	383
BSP00KF	BSP B050-KV004-A04A1A-S4	347	BSP00Z9	BSP B100-IV009-P00S2B-S4	383
BSP00KH	BSP B100-KV004-A04A1A-S4	347	BSP00ZA	BSP B120-IV009-P00S2B-S4	383
BSP00KJ	BSP B250-KV004-A04A1A-S4	347	BSP00ZC	BSP B250-IV009-P00S2B-S4	385
BSP00KK	BSP B400-KV004-A04A1A-S4	347	BSP00ZE	BSP B400-IV009-P00S2B-S4	385
BSP00KL	BSP B600-KV004-A04A1A-S4	347	BSP00ZF	BSP B600-IV009-P00S2B-S4	385
BSP00KM	BSP V002-HV004-A04A1A-S4	337	BSP00ZH	BSP V002-IV009-P00S2B-S4	381
BSP00KN	BSP V010-HV004-A04A1A-S4	337	BSP00ZJ	BSP V003-IV009-P00S2B-S4	381
BSP00KP	BSP B002-HV004-A04A1A-S4	337	BSP00ZK	BSP V010-IV009-P00S2B-S4	383
BSP00KR	BSP B005-HV004-A04A1A-S4	337	BSP00ZL	BSP B001-ZT009-P00S2B-S4-006	387

434 | Alphanumeric Index | Sorted by ordering code

BSP00ZM	BSP B002-ZT009-P00S2B-S4-006	387	BTL7 -ZE/ZF- SERIE - DIGITAL	151	
BSP00ZN	BSP M100-ZT009-P00S2B-S4-006	385	BTL7 -ZE/ZF- SERIE - SSI	153	
BSP00ZP	BSP M250-ZT009-P00S2B-S4-006	385	BTL7 -Z-NEX- SERIE - ANALOG SPANNUNG	299	
BSP00ZR	BSP M500-ZT009-P00S2B-S4-006	385	BTL7 -Z-NEX- SERIE - ANALOG STROM	301	
BSP00ZT	BSP M750-ZT009-P00S2B-S4-006	387	BTL7 -Z-NEX- SERIE - DIGITAL	303	
BSP00ZU	BSP B002-IV010-P00S2B-S4	379	BTL7 -Z-NEX- SERIE - SSI	304	
BSP00ZW	BSP B005-IV010-P00S2B-S4	379	BUS002T	BUS M30E1-PPX-03/025-S92K	17
BSP00ZY	BSP B010-IV010-P00S2B-S4	379	BUS004Y	BUS W18M1-GPXI-07/035-S92G	15
BSP00ZZ	BSP B020-IV010-P00S2B-S4	379	BUS002A	BUS W18M1-GPXI-03/025-S92G	15
BSP0100	BSP B001-ZT010-P00S2B-S4-006	381	BUS002C	BUS M18M1-XB-03/025-S92G	29
BSP0101	BSP B002-ZT010-P00S2B-S4-006	381	BUS002E	BUS W18M1-XB-03/025-S92G	29
BSP0102	BSP M100-ZT010-P00S2B-S4-006	379	BUS002K	BUS M30E1-PPC-03/025-S92K	31
BSP0103	BSP M500-ZT010-P00S2B-S4-006	379	BUS002L	BUS M30M1-PPC-03/025-S92K	31
BTL7 -HB- SERIE - ANALOG STROM		189	BUS002M	BUS M30E1-XC-03/025-S92K	31
BTL7 -H- SERIE - ANALOG SPANNUNG		167	BUS002N	BUS M30M1-XC-03/025-S92K	31
BTL7 -H- SERIE - ANALOG STROM		169	BUS002P	BUS M30E1-PWX-03/025-S92K	17
BTL7 -J-DEX-A/B/D/E- SERIE - PROFIBUS		281	BUS002R	BUS M30M1-PWX-03/025-S92K	17
BTL7 -J-DEX-A/B- SERIE - ANALOG SPANNUNG		73	BUS003A	BUS M30E1-PPX-20/130-S92K	19
BTL7 -J-DEX-A/B- SERIE - ANALOG STROM		275	BUS003C	BUS M30M1-PWX-20/130-S92K	19
BTL7 -J-DEXC- SERIE - ANALOG SPANNUNG		283	BUS003E	BUS M30E1-XC-20/130-S92K	33
BTL7 -J-DEXC- SERIE - ANALOG STROM		285	BUS003F	BUS M30M1-XC-20/130-S92K	33
BTL7 -J-DEXC- SERIE - DIGITAL		287	BUS003H	BUS M30E1-PWX-20/130-S92K	19
BTL7 -J-DEXC- SERIE - SSI		289	BUS003K	BUS M30E1-PPC-35/340-S92K	35
BTL7 -K-NEX- SERIE - ANALOG SPANNUNG		311	BUS003L	BUS M30M1-PPC-35/340-S92K	35
BTL7 -K-NEX- SERIE - ANALOG STROM		313	BUS003M	BUS M30E1-XC-35/340-S92K	33
BTL7 -K- SERIE - ANALOG SPANNUNG		203	BUS003N	BUS M30M1-PWC-20/130-S92K	33
BTL7 -K- SERIE - ANALOG STROM		205	BUS003P	BUS M30M1-PPX-35/340-S92K	21
BTL7 -P- SERIE - ANALOG SPANNUNG		69	BUS003R	BUS M30E1-PPX-35/340-S92K	21
BTL7 -P- SERIE - ANALOG STROM		71	BUS003T	BUS M30M1-XC-35/340-S92K	35
BTL7 -P- SERIE - DIGITAL		73	BUS003U	BUS M30E1-PWX-35/340-S92K	19
BTL7 -P- SERIE - ETHERCAT		83	BUS003W	BUS M30M1-PWX-35/340-S92K	19
BTL7 -P- SERIE - ETHERNET/IP		81	BUS003Y	BUS M30E1-PPC-60/600-S92K	35
BTL7 -P- SERIE - PROFINET		79	BUS003Z	BUS M30M1-PWX-60/600-S92K	21
BTL7 -P- SERIE - SSI		75	BUS004C	BUS R06K1-PPX-02/015-S75G	21
BTL7 -SF- SERIE - ANALOG SPANNUNG		211	BUS004F	BUS R06K1-XB-05/024-S75G	37
BTL7 -SF- SERIE - ANALOG STROM		213	BUS004J	BUS R06K1-XB-02/015-S75G	37
BTL7 -TB-NEX- SERIE - ANALOG STROM		315	BUS004K	BUS R06K1-XA-02/015-S75G	37
BTL7 -TB- SERIE - ANALOG SPANNUNG		221	BUS004L	BUS R06K1-PPX-05/024-S75G	23
BTL7 -TB- SERIE - ANALOG STROM		223	BUS004M	BUS M18M1-XB-12/100-S92G	31
BTL7 -TB- SERIE - DIGITAL		225	BUS004N	BUS W18M1-GPXI-12/100-S92G	17
BTL7 -TB- SERIE - SSI		227	BUS004P	BUS M18M1-GPXI-12/100-S92G	17
BTL7 -TK- SERIE - ANALOG SPANNUNG		237	BUS004R	BUS W18M1-XA-07/035-S92G	29
BTL7 -TK- SERIE - ANALOG STROM		239	BUS004T	BUS M18M1-XA-07/035-S92G	29
BTL7 -TK- SERIE - DIGITAL		241	BUS004U	BUS W18M1-XB-07/035-S92G	29
BTL7 -TK- SERIE - SSI		243	BUS004W	BUS M18M1-XB-07/035-S92G	29
BTL7 -TT- SERIE - ANALOG SPANNUNG		245	BUS004Z	BUS M18M1-GPXI-07/035-S92G	15
BTL7 -TT- SERIE - ANALOG STROM		247	BUS005C	BUS R06K1-XB-12/070-S75G	37
BTL7 -TT- SERIE - DIGITAL		251	BUS005E	BUS R06K1-XA-12/070-S75G	37
BTL7 -TT- SERIE - SSI		249	BUS005F	BUS M30M1-PPX-07/035-S92K	19
BTL7 -TZ-NEX- SERIE - ANALOG STROM		317	BUS005H	BUS M30M1-PWX-07/035-S92K	17
BTL7 -TZ- SERIE - ANALOG SPANNUNG		229	BUS005J	BUS M30E1-PWX-07/035-S92K	17
BTL7 -TZ- SERIE - ANALOG STROM		231	BUS005K	BUS M30M1-XC-07/035-S92K	31
BTL7 -TZ- SERIE - DIGITAL		233	BUS005L	BUS M30E1-XC-07/035-S92K	31
BTL7 -TZ- SERIE - SSI		235	BUS005M	BUS M30M1-PPC-07/035-S92K	33
BTL7 -WB- SERIE - ANALOG SPANNUNG;			BUS005N	BUS M30E1-PPC-07/035-S92K	33
BTL7 -WB- SERIE - ANALOG STROM		197	BUS005T	BUS M30E1-PPX-07/035-S92K	19
BTL7 -W- SERIE - ANALOG SPANNUNG		177	BUS005U	BUS M30E2-PWX-20/130-S92K-G1	43
BTL7 -W- SERIE - ANALOG STROM		179	BUS005W	BUS M30E2-PPC-20/130-S92K-G1	43
BTL7 -Y/Z- SERIE - ANALOG SPANNUNG		129	BUS005Y	BUS M30E2-PPC-09/035-S92K-G1	43
BTL7 -Y/Z- SERIE - ANALOG STROM		131	BUS006A	BUS M12M1-XB-05/024-S04G	29
BTL7 -Y/Z- SERIE - DIGITAL		133	BUS006C	BUS Q62K1-GPXI-35/340-S92K	23
BTL7 -Y/Z- SERIE - ETHERCAT		145	BUS006E	BUS Q62K1-GPXI-60/600-S92K	23
BTL7 -Y/Z- SERIE - ETHERNET/IP		143	BUS006F	BUS Q62K1-PWX-35/340-S92K	23
BTL7 -Y/Z- SERIE - PROFINET		141	BUS006H	BUS Q62K1-PWX-60/600-S92K	23
BTL7 -Y/Z- SERIE - SSI		135	BUS006J	BUS Q62K1-XC-35/340-S92K	37
BTL7 -Z-DEX- SERIE - ANALOG SPANNUNG;			BUS006K	BUS Q62K1-XC-60/600-S92K	37
BTL7 -Z-DEX- SERIE - ANALOG STROM		265	BUS0020	BUS M18M1-GPXI-02/015-S92G	15
BTL7 -Z-DEX- SERIE - PROFIBUS		71	BUS0021	BUS R06K1-PPX-02/007-S75G	21

BUS0022	BUS M30M1-PPX-03/025-S92K	17
BUS0023	BUS W18M1-GPXI-02/015-S92G	15
BUS0024	BUS M18M1-XA-03/025-S92G	29
BUS0025	BUS M18M1-XB-02/015-S92G	29
BUS0026	BUS M18M1-XA-02/015-S92G	29
BUS0027	BUS W18M1-XB-02/015-S92G	29
BUS0028	BUS W18M1-XA-02/015-S92G	29
BUS0029	BUS M18M1-GPXI-03/025-S92G	15
BUS0037	BUS M30E1-PPC-20/130-S92K	33
BUS0038	BUS M30M1-PPC-20/130-S92K	33
BUS0039	BUS M30M1-PPX-20/130-S92K	19
BUS0040	BUS M30E1-PWX-60/600-S92K	21
BUS0041	BUS M30M1-XC-60/600-S92K	35
BUS0042	BUS M30E1-XC-60/600-S92K	35
BUS0043	BUS M30M1-PPC-60/600-S92K	35
BUS0044	BUS M30M1-PWC-35/340-S92K	35
BUS0045	BUS M30M1-PPX-60/600-S92K	21
BUS0047	BUS M30E1-PPX-60/600-S92K	21
BUS0049	BUS R06K1-PPX-02/015-S75G-F01	23
BUS0050	BUS W18M1-XA-03/025-S92G	29
BUS0051	BUS W18M1-XA-12/100-S92G	31
BUS0052	BUS M18M1-XA-12/100-S92G	31
BUS0053	BUS W18M1-XB-12/100-S92G	31
BUS0056	BUS R06K1-XA-05/024-S75G	37
BUS0057	BUS R06K1-PPX-03/025-S75G	23
BUS0059	BUS R06K1-PPX-12/070-S75G	23
BUS0063	BUS M12M1-NPX-02/015-S04G	15
BUS0064	BUS M12M1-NPX-05/024-S04G	15
BUS0065	BUS M12M1-PPX-02/015-S04G	15
BUS0066	BUS M12M1-PPX-05/024-S04G	15
BUS0067	BUS M12M1-XA-02/015-S04G	29
BUS0068	BUS M12M1-XA-05/024-S04G	29
BUS0069	BUS M12M1-XB-02/015-S04G	29

Alphanumeric Index

SORTED BY
PART NUMBER

BUS0065	BUS M12M1-PPX-02/015-S04G	15	BUS002E	BUS W18M1-XB-03/025-S92G	29
BUS0066	BUS M12M1-PPX-05/024-S04G	15	BUS004W	BUS M18M1-XB-07/035-S92G	29
BUS0063	BUS M12M1-NPX-02/015-S04G	15	BUS004U	BUS W18M1-XB-07/035-S92G	29
BUS0064	BUS M12M1-NPX-05/024-S04G	15	BUS0052	BUS M18M1-XA-12/100-S92G	31
BUS0020	BUS M18M1-GPXI-02/015-S92G	15	BUS0051	BUS W18M1-XA-12/100-S92G	31
BUS0023	BUS W18M1-GPXI-02/015-S92G	15	BUS004M	BUS M18M1-XB-12/100-S92G	31
BUS0029	BUS M18M1-GPXI-03/025-S92G	15	BUS0053	BUS W18M1-XB-12/100-S92G	31
BUS002A	BUS W18M1-GPXI-03/025-S92G	15	BUS002M	BUS M30E1-XC-03/025-S92K	31
BUS004Z	BUS M18M1-GPXI-07/035-S92G	15	BUS002N	BUS M30M1-XC-03/025-S92K	31
BUS004Y	BUS W18M1-GPXI-07/035-S92G	15	BUS002K	BUS M30E1-PPC-03/025-S92K	31
BUS002T	BUS M30E1-PPX-03/025-S92K	17	BUS002L	BUS M30M1-PPC-03/025-S92K	31
BUS0022	BUS M30M1-PPX-03/025-S92K	17	BUS005L	BUS M30E1-XC-07/035-S92K	31
BUS002P	BUS M30E1-PWX-03/025-S92K	17	BUS005K	BUS M30M1-XC-07/035-S92K	31
BUS002R	BUS M30M1-PWX-03/025-S92K	17	BUS005N	BUS M30E1-PPC-07/035-S92K	33
BUS005J	BUS M30E1-PWX-07/035-S92K	17	BUS005M	BUS M30M1-PPC-07/035-S92K	33
BUS005H	BUS M30M1-PWX-07/035-S92K	17	BUS003E	BUS M30E1-XC-20/130-S92K	33
BUS004P	BUS M18M1-GPXI-12/100-S92G	17	BUS003F	BUS M30M1-XC-20/130-S92K	33
BUS004N	BUS W18M1-GPXI-12/100-S92G	17	BUS0037	BUS M30E1-PPC-20/130-S92K	33
BUS005T	BUS M30E1-PPX-07/035-S92K	19	BUS0038	BUS M30M1-PPC-20/130-S92K	33
BUS005F	BUS M30M1-PPX-07/035-S92K	19	BUS003N	BUS M30M1-PWC-20/130-S92K	33
BUS003A	BUS M30E1-PPX-20/130-S92K	19	BUS003M	BUS M30E1-XC-35/340-S92K	33
BUS0039	BUS M30M1-PPX-20/130-S92K	19	BUS003T	BUS M30M1-XC-35/340-S92K	35
BUS003H	BUS M30E1-PWX-20/130-S92K	19	BUS003K	BUS M30E1-PPC-35/340-S92K	35
BUS003C	BUS M30M1-PWX-20/130-S92K	19	BUS003L	BUS M30M1-PPC-35/340-S92K	35
BUS003U	BUS M30E1-PWX-35/340-S92K	19	BUS0044	BUS M30M1-PWC-35/340-S92K	35
BUS003W	BUS M30M1-PWX-35/340-S92K	19	BUS0042	BUS M30E1-XC-60/600-S92K	35
BUS003R	BUS M30E1-PPX-35/340-S92K	21	BUS0041	BUS M30M1-XC-60/600-S92K	35
BUS003P	BUS M30M1-PPX-35/340-S92K	21	BUS003Y	BUS M30E1-PPC-60/600-S92K	35
BUS0047	BUS M30E1-PPX-60/600-S92K	21	BUS0043	BUS M30M1-PPC-60/600-S92K	35
BUS0045	BUS M30M1-PPX-60/600-S92K	21	BUS004K	BUS R06K1-XA-02/015-S75G	37
BUS0021	BUS R06K1-PPX-02/007-S75G	21	BUS0056	BUS R06K1-XA-05/024-S75G	37
BUS004C	BUS R06K1-PPX-02/015-S75G	21	BUS005E	BUS R06K1-XA-12/070-S75G	37
BUS0040	BUS M30E1-PWX-60/600-S92K	21	BUS004J	BUS R06K1-XB-02/015-S75G	37
BUS003Z	BUS M30M1-PWX-60/600-S92K	21	BUS004F	BUS R06K1-XB-05/024-S75G	37
BUS0049	BUS R06K1-PPX-02/015-S75G-F01	23	BUS005C	BUS R06K1-XB-12/070-S75G	37
BUS004L	BUS R06K1-PPX-05/024-S75G	23	BUS006J	BUS Q62K1-XC-35/340-S92K	37
BUS0057	BUS R06K1-PPX-03/025-S75G	23	BUS006K	BUS Q62K1-XC-60/600-S92K	37
BUS0059	BUS R06K1-PPX-12/070-S75G	23	BUS005Y	BUS M30E2-PPC-09/035-S92K-G1	43
BUS006F	BUS Q62K1-PWX-35/340-S92K	23	BUS005W	BUS M30E2-PPC-20/130-S92K-G1	43
BUS006H	BUS Q62K1-PWX-60/600-S92K	23	BUS005U	BUS M30E2-PWX-20/130-S92K-G1	43
BUS006C	BUS Q62K1-GPXI-35/340-S92K	23	BML-S1H	BML-S1H_ _ 6_ C-M3_ A-D0-KA00,3-S284	49
BUS006E	BUS Q62K1-GPXI-60/600-S92K	23	BML0903	BML SL1-ALZ1-UMZZ-ZU1L-S4	50
BUS0067	BUS M12M1-XA-02/015-S04G	29	BML0905	BML SL1-ALZ1-UMZZ-AU1L-KA05	50
BUS0068	BUS M12M1-XA-05/024-S04G	29	BML0901	BML SL1-ALZ1-UMZZ-AU1L-S284	50
BUS0026	BUS M18M1-XA-02/015-S92G	29	BML0904	BML SL1-ALZ1-UEZZ-ZU1L-S4	50
BUS0028	BUS W18M1-XA-02/015-S92G	29	BML085L	BML SGA-AE21-LZZZ-ZU11-S115	52
BUS0024	BUS M18M1-XA-03/025-S92G	29	BML08MH	BML SGA-AE21-LZZZ-TU11-S284	52
BUS0050	BUS W18M1-XA-03/025-S92G	29	BML-S1G0	BML-S1G0- _ 7_ _ -M5E- _ 0-S284	55
BUS004T	BUS M18M1-XA-07/035-S92G	29	BML-S1F	BML-S1F_-A62Z-M3_ 0-90- _ _ _ _ ,	
BUS004R	BUS W18M1-XA-07/035-S92G	29		BML-S1F_ _Q61_ -M3_ 0- 0- _ _ _ _ ,	57
BUS0069	BUS M12M1-XB-02/015-S04G	29		BML SF2-I2_ _ -AZZZ-ZZZ5- _ _ _ _ ,	
BUS006A	BUS M12M1-XB-05/024-S04G	29	BML SF2	BML SF2-I2_ _ -QZ_ _ -Z_ 5- _ _ _ _ ,	59
BUS0025	BUS M18M1-XB-02/015-S92G	29	BML-S1C0	BML-S1C0-Q53_ -M400- _ 0-KA_ _	61
BUS0027	BUS W18M1-XB-02/015-S92G	29	BML-S2C0	BML-S2C0- _ _ _ _ -M6_ _ - 0- _ _ _ _	61
BUS002C	BUS M18M1-XB-03/025-S92G	29			

TL7 -HB- SERIE - ANALOG STROM	189	BSI001E	BSI R65K0-XB-MXS015-S115	325
BTL7 -H- SERIE - ANALOG SPANNUNG	167	BSI0018	BSI R65K0-XB-MXS030-S115	325
BTL7 -H- SERIE - ANALOG STROM	169	BSI0019	BSI R65K0-XB-MXS045-S115	325
BTL7 -J-DEX-A/B/D/E- SERIE - PROFIBUS	281	BSI001A	BSI R65K0-XB-MXS090-S115	325
BTL7 -J-DEX-A/B- SERIE - ANALOG SPANNUNG	73	BSI0015	BSI R65K0-XB-MXP360-S115	325
BTL7 -J-DEX-A/B- SERIE - ANALOG STROM	275	BSI000Z	BSI Q41K0-XA-MYS015-S92	329
BTL7 -J-DEXC- SERIE - ANALOG SPANNUNG	283	BSI0010	BSI Q41K0-XA-MYS030-S92	329
BTL7 -J-DEXC- SERIE - ANALOG STROM	285	BSI0013	BSI Q41K0-XA-MYS045-S92	329
BTL7 -J-DEXC- SERIE - DIGITAL	287	BSI0014	BSI Q41K0-XA-MYS090-S92	329
BTL7 -J-DEXC- SERIE - SSI	289	BSI000W	BSI Q41K0-XB-MYS015-S92	329
BTL7 -K-NEX- SERIE - ANALOG SPANNUNG	311	BSI000Y	BSI Q41K0-XB-MYS030-S92	329
BTL7 -K-NEX- SERIE - ANALOG STROM	313	BSI0011	BSI Q41K0-XB-MYS045-S92	329
BTL7 -K- SERIE - ANALOG SPANNUNG	203	BSI0012	BSI Q41K0-XB-MYS090-S92	329
BTL7 -K- SERIE - ANALOG STROM	05	BSI000A	BSI R65K0-XA-MYS015-S115	331
BTL7 -P- SERIE - ANALOG SPANNUNG	69	BSI000C	BSI R65K0-XA-MYS030-S115	331
BTL7 -P- SERIE - ANALOG STROM	71	BSI000E	BSI R65K0-XA-MYS045-S115	331
BTL7 -P- SERIE - DIGITAL	73	BSI000F	BSI R65K0-XA-MYS090-S115	331
BTL7 -P- SERIE - ETHERCAT	83	BSI0006	BSI R65K0-XB-MYS015-S115	331
BTL7 -P- SERIE - ETHERNET/IP	81	BSI0007	BSI R65K0-XB-MYS030-S115	331
BTL7 -P- SERIE - PROFINET	79	BSI0008	BSI R65K0-XB-MYS045-S115	331
BTL7 -P- SERIE - SSI	5	BSI0009	BSI R65K0-XB-MYS090-S115	331
BTL7 -SF- SERIE - ANALOG SPANNUNG	211	BSP00KP	BSP B002-HV004-A04A1A-S4	337
BTL7 -SF- SERIE - ANALOG STROM	213	BSP00KM	BSP V002-HV004-A04A1A-S4	337
BTL7 -TB-NEX- SERIE - ANALOG STROM	315	BSP00KR	BSP B005-HV004-A04A1A-S4	337
BTL7 -TB- SERIE - ANALOG SPANNUNG	221	BSP00KT	BSP B010-HV004-A04A1A-S4	337
BTL7 -TB- SERIE - ANALOG STROM	223	BSP00KN	BSP V010-HV004-A04A1A-S4	337
BTL7 -TB- SERIE - DIGITAL	225	BSP00KU	BSP B020-HV004-A04A1A-S4	337
BTL7 -TB- SERIE - SSI	227	BSP00KW	BSP B050-HV004-A04A1A-S4	337
BTL7 -TK- SERIE - ANALOG SPANNUNG	237	BSP00KY	BSP B100-HV004-A04A1A-S4	337
BTL7 -TK- SERIE - ANALOG STROM	239	BSP00KZ	BSP B250-HV004-A04A1A-S4	339
BTL7 -TK- SERIE - DIGITAL	241	BSP00L0	BSP B400-HV004-A04A1A-S4	339
BTL7 -TK- SERIE - SSI	243	BSP00L1	BSP B600-HV004-A04A1A-S4	339
BTL7 -TT- SERIE - ANALOG SPANNUNG	245	BSP00H	BSP B002-DV004-A04A1A-S4	339
BTL7 -TT- SERIE - ANALOG STROM	247	BSP00JE	BSP V002-DV004-A04A1A-S4	339
BTL7 -TT- SERIE - DIGITAL	251	BSP00JJ	BSP B005-DV004-A04A1A-S4	339
BTL7 -TT- SERIE - SSI	249	BSP00L8	BSP B006-DV004-A04A1A-S4	339
BTL7 -TZ-NEX- SERIE - ANALOG STROM	317	BSP00L	BSP B010-DV004-A04A1A-S4	339
BTL7 -TZ- SERIE - ANALOG SPANNUNG	229	BSP00JF	BSP V010-DV004-A04A1A-S4	341
BTL7 -TZ- SERIE - ANALOG STROM	231	BSP00JL	BSP B020-DV004-A04A1A-S4	341
BTL7 -TZ- SERIE - DIGITAL	233	BSP00JM	BSP B050-DV004-A04A1A-S4	341
BTL7 -TZ- SERIE - SSI	235	BSP00JN	BSP B100-DV004-A04A1A-S4	341
BTL7 -WB- SERIE - ANALOG SPANNUNG;		BSP00JP	BSP B250-DV004-A04A1A-S4	341
BTL7 -WB- SERIE - ANALOG STROM	197	BSP00JR	BSP B400-DV004-A04A1A-S4	341
BTL7 -W- SERIE - ANALOG SPANNUNG	177	BSP00JT	BSP B600-DV004-A04A1A-S4	341
BTL7 -W- SERIE - ANALOG STROM	179	BSP00JY	BSP B002-FV004-A04A1A-S4	341
BTL7 -Y/Z- SERIE - ANALOG SPANNUNG	129	BSP00JU	BSP V002-FV004-A04A1A-S4	343
BTL7 -Y/Z- SERIE - ANALOG STROM	131	BSP00JZ	BSP B005-FV004-A04A1A-S4	343
BTL7 -Y/Z- SERIE - DIGITAL	133	BSP00K0	BSP B010-FV004-A04A1A-S4	343
BTL7 -Y/Z- SERIE - ETHERCAT	145	BSP00JW	BSP V010-FV004-A04A1A-S4	343
BTL7 -Y/Z- SERIE - ETHERNET/IP	143	BSP00K1	BSP B020-FV004-A04A1A-S4	343
BTL7 -Y/Z- SERIE - PROFINET	141	BSP00K2	BSP B050-FV004-A04A1A-S4	343
BTL7 -Y/Z- SERIE - SSI	135	BSP00K3	BSP B100-FV004-A04A1A-S4	343
BTL7 -Z-DEX- SERIE - ANALOG SPANNUNG;		BSP00K4	BSP B250-FV004-A04A1A-S4	343
BTL7 -Z-DEX- SERIE - ANALOG STROM	265	BSP00K5	BSP B400-FV004-A04A1A-S4	345
BTL7 -Z-DEX- SERIE - PROFIBUS	71	BSP00K6	BSP B600-FV004-A04A1A-S4	345
BTL7 -ZE/ZF- SERIE - DIGITAL	151	BSP00K9	BSP B002-KV004-A04A1A-S4	345
BTL7 -ZE/ZF- SERIE - SSI	153	BSP00K7	BSP V002-KV004-A04A1A-S4	345
BTL7 -Z-NEX- SERIE - ANALOG SPANNUNG	299	BSP00KA	BSP B005-KV004-A04A1A-S4	345
BTL7 -Z-NEX- SERIE - ANALOG STROM	301	BSP00KC	BSP B010-KV004-A04A1A-S4	345
BTL7 -Z-NEX- SERIE - DIGITAL	303	BSP00K8	BSP V010-KV004-A04A1A-S4	345
BTL7 -Z-NEX- SERIE - SSI	304	BSP00KE	BSP B020-KV004-A04A1A-S4	345
BSI000M	BSI Q41K0-XA-MXS015-S92	321	BSP B050-KV004-A04A1A-S4	347
BSI000N	BSI Q41K0-XA-MXS030-S92	321	BSP B100-KV004-A04A1A-S4	347
BSI000T	BSI Q41K0-XA-MXS045-S92	321	BSP B250-KV004-A04A1A-S4	347
BSI000U	BSI Q41K0-XA-MXS090-S92	321	BSP B400-KV004-A04A1A-S4	347
BSI000L	BSI Q41K0-XA-MXP360-S92	321	BSP B600-KV004-A04A1A-S4	347
BSI000J	BSI Q41K0-XB-MXS015-S92	321	BSP B002-HV004-A06A1A-S4	347
BSI000K	BSI Q41K0-XB-MXS030-S92	321	BSP V002-HV004-A06A1A-S4	347
BSI000P	BSI Q41K0-XB-MXS045-S92	321		
BSI000R	BSI Q41K0-XB-MXS090-S92	323		
BSI000H	BSI Q41K0-XB-MXP360-S92	323		
BSI0002	BSI R11A0-XB-CXS045-S75G	323		
BSI0004	BSI R11A0-XB-CXP360-S75G	323		
BSI0003	BSI R11A0-XXR-CXP360-S75G	323		
BSI001C	BSI R65K0-XA-MXS015-S115	323		
BSI0017	BSI R65K0-XA-MXS030-S115	323		
BSI001F	BSI R65K0-XA-MXS045-S115	323		
BSI0005	BSI R65K0-XA-MXS090-S115	325		
BSI0016	BSI R65K0-XA-MXP360-S115	325		

438 | Alphanumeric Index | Sorted by part number

BSP00J5	BSP B005-HV004-A06A1A-S4	347	BSP00TE	BSP B100-FV004-D06S1A-S4	365
BSP00J6	BSP B010-HV004-A06A1A-S4	349	BSP00TF	BSP B250-FV004-D06S1A-S4	365
BSP00J3	BSP V010-HV004-A06A1A-S4	349	BSP00TH	BSP B400-FV004-D06S1A-S4	365
BSP00J7	BSP B020-HV004-A06A1A-S4	349	BSP00TJ	BSP B600-FV004-D06S1A-S4	365
BSP00J8	BSP B050-HV004-A06A1A-S4	349	BSP00YZ	BSP B010-HV009-P00S2B-S4-001	371
BSP00FT	BSP B100-HV004-A06A1A-S4	349	BSP00ZO	BSP V050-HV009-P00S2B-S4-001	371
BSP00FU	BSP B160-HV004-A06A1A-S4	349	BSP00YN	BSP M050-EV009-P00S2B-S4	371
BSP00J9	BSP B250-HV004-A06A1A-S4	349	BSP00Y2	BSP B002-EV009-P00S2B-S4	371
BSP00JA	BSP B400-HV004-A06A1A-S4	349	BSP00YR	BSP V002-EV009-P00S2B-S4	371
BSP00JC	BSP B600-HV004-A06A1A-S4	351	BSP00Y3	BSP B005-EV009-P00S2B-S4	371
BSP00FZ	BSP B002-DV004-A06A1A-S4	351	BSP00YY	BSP V050-EV009-P00S2B-S4	373
BSP00FW	BSP V002-DV004-A06A1A-S4	351	BSP00YT	BSP V010-EV009-P00S2B-S4	373
BSP00H0	BSP B005-DV004-A06A1A-S4	351	BSP00Y4	BSP B010-EV009-P00S2B-S4	373
BSP00H1	BSP B010-DV004-A06A1A-S4	351	BSP00Y7	BSP B050-EV009-P00S2B-S4	373
BSP00FY	BSP V010-DV004-A06A1A-S4	351	BSP00Y8	BSP B100-EV009-P00S2B-S4	373
BSP00H2	BSP B020-DV004-A06A1A-S4	351	BSP00Y6	BSP B020-EV009-P00S2B-S4	373
BSP00H3	BSP B050-DV004-A06A1A-S4	351	BSP00YC	BSP B250-EV009-P00S2B-S4	375
BSP00H4	BSP B100-DV004-A06A1A-S4	353	BSP00YH	BSP B400-EV009-P00S2B-S4	375
BSP00H5	BSP B250-DV004-A06A1A-S4	353	BSP00YK	BSP B600-EV009-P00S2B-S4	375
BSP00F3	BSP B400-DV004-A06A1A-S4	353	BSP00Z3	BSP V010-GV009-P00S2B-S4	375
BSP00H6	BSP B600-DV004-A06A1A-S4	353	BSP00Z1	BSP B100-GV009-P00S2B-S4	375
BSP00H9	BSP B002-FV004-A06A1A-S4	353	BSP00Z2	BSP B250-GV009-P00S2B-S4	375
BSP00H7	BSP V002-FV004-A06A1A-S4	353	BSP00ZU	BSP B002-IV010-P00S2B-S4	379
BSP00HA	BSP B005-FV004-A06A1A-S4	353	BSP00ZW	BSP B005-IV010-P00S2B-S4	379
BSP00HC	BSP B010-FV004-A06A1A-S4	353	BSP00ZY	BSP B010-IV010-P00S2B-S4	379
BSP00H8	BSP V010-FV004-A06A1A-S4	355	BSP00ZZ	BSP B020-IV010-P00S2B-S4	379
BSP00HE	BSP B020-FV004-A06A1A-S4	355	BSP0102	BSP M100-ZT010-P00S2B-S4-006	379
BSP00HF	BSP B050-FV004-A06A1A-S4	355	BSP0103	BSP M500-ZT010-P00S2B-S4-006	379
BSP00HH	BSP B100-FV004-A06A1A-S4	355	BSP0100	BSP B001-ZT010-P00S2B-S4-006	381
BSP00HJ	BSP B250-FV004-A06A1A-S4	355	BSP0101	BSP B002-ZT010-P00S2B-S4-006	381
BSP00HK	BSP B400-FV004-A06A1A-S4	355	BSP00ZH	BSP V002-IV009-P00S2B-S4	381
BSP00HL	BSP B600-FV004-A06A1A-S4	355	BSP00Z4	BSP B002-IV009-P00S2B-S4	381
BSP00HP	BSP B002-KV004-A06A1A-S4	355	BSP00ZJ	BSP V003-IV009-P00S2B-S4	381
BSP00HM	BSP V002-KV004-A06A1A-S4	357	BSP00Z5	BSP B005-IV009-P00S2B-S4	381
BSP00HR	BSP B005-KV004-A06A1A-S4	357	BSP00Z6	BSP B010-IV009-P00S2B-S4	383
BSP00HT	BSP B010-KV004-A06A1A-S4	357	BSP00ZK	BSP V010-IV009-P00S2B-S4	383
BSP00HN	BSP V010-KV004-A06A1A-S4	357	BSP00Z7	BSP B020-IV009-P00S2B-S4	383
BSP00HU	BSP B020-KV004-A06A1A-S4	357	BSP00Z8	BSP B050-IV009-P00S2B-S4	383
BSP00HW	BSP B050-KV004-A06A1A-S4	357	BSP00Z9	BSP B100-IV009-P00S2B-S4	383
BSP00HY	BSP B100-KV004-A06A1A-S4	357	BSP00ZA	BSP B120-IV009-P00S2B-S4	383
BSP00HZ	BSP B250-KV004-A06A1A-S4	357	BSP00ZC	BSP B250-IV009-P00S2B-S4	385
BSP00J0	BSP B400-KV004-A06A1A-S4	359	BSP00ZE	BSP B400-IV009-P00S2B-S4	385
BSP00J1	BSP B600-KV004-A06A1A-S4	359	BSP00ZF	BSP B600-IV009-P00S2B-S4	385
BSP00W2	BSP B001-ZT004-A06A1A-S4-006	359	BSP00ZN	BSP M100-ZT009-P00S2B-S4-006	385
BSP00W3	BSP B002-ZT004-A06A1A-S4-006	359	BSP00ZP	BSP M250-ZT009-P00S2B-S4-006	385
BSP00W4	BSP M100-ZT004-A06A1A-S4-006	359	BSP00ZR	BSP M500-ZT009-P00S2B-S4-006	385
BSP00W5	BSP M250-ZT004-A06A1A-S4-006	359	BSP00ZT	BSP M750-ZT009-P00S2B-S4-006	387
BSP00W6	BSP M500-ZT004-A06A1A-S4-006	359	BSP00ZL	BSP B001-ZT009-P00S2B-S4-006	387
BSP00W7	BSP M750-ZT004-A06A1A-S4-006	359	BSP00ZM	BSP B002-ZT009-P00S2B-S4-006	387
BSP00PL	BSP B002-DV004-D06S1A-S4	361	BFT0015	BFT 6025-HV003-A00AOC-S4	393
BSP00PJ	BSP V002-DV004-D06S1A-S4	361	BFT0012	BFT 6025-HV003-A02AOC-S4	393
BSP00PM	BSP B005-DV004-D06S1A-S4	361	BFT001H	BFT 6025-HV003-D00AOC-S4	393
BSP00PN	BSP B010-DV004-D06S1A-S4	361	BFT001C	BFT 6025-JC003-A00AOC-S4	393
BSP00PK	BSP V010-DV004-D06S1A-S4	361	BFT0018	BFT 6025-JC003-A02AOC-S4	393
BSP00PP	BSP B020-DV004-D06S1A-S4	361	BFT001L	BFT 6025-JC003-D00AOC-S4	393
BSP00PR	BSP B050-DV004-D06S1A-S4	361	BFT0016	BFT 6050-HV003-A00AOC-S4	393
BSP00PT	BSP B100-DV004-D06S1A-S4	361	BFT0013	BFT 6050-HV003-A02AOC-S4	393
BSP00PU	BSP B250-DV004-D06S1A-S4	363	BFT001J	BFT 6050-HV003-D00AOC-S4	395
BSP00PW	BSP B400-DV004-D06S1A-S4	363	BFT001E	BFT 6050-JC003-A00AOC-S4	395
BSP00PY	BSP B600-DV004-D06S1A-S4	363	BFT0019	BFT 6050-JC003-A02AOC-S4	395
BSP00T7	BSP B002-FV004-D06S1A-S4	363	BFT001M	BFT 6050-JC003-D00AOC-S4	395
BSP00T5	BSP V002-FV004-D06S1A-S4	363	BFT0017	BFT 6100-HV003-A00AOC-S4	395
BSP00T8	BSP B005-FV004-D06S1A-S4	363	BFT0014	BFT 6100-HV003-A02AOC-S4	395
BSP00T9	BSP B010-FV004-D06S1A-S4	363	BFT001K	BFT 6100-HV003-D00AOC-S4	395
BSP00T6	BSP V010-FV004-D06S1A-S4	363	BFT001F	BFT 6100-JC003-A00AOC-S4	395
BSP00TA	BSP B020-FV004-D06S1A-S4	365	BFT001A	BFT 6100-JC003-A02AOC-S4	397
BSP00TC	BSP B050-FV004-D06S1A-S4	365	BFT001N	BFT 6100-JC003-D00AOC-S4	397
			BFT0001	BFT 6025-DX001-R02A0A-S4	397

BFT0003	BFT 6025-FC001-R02A0A-S4	397
BFT001P	BFT 6025-HX001-R02A0A-S4	397
BFT0002	BFT 6050-DX001-R02A0A-S4	397
BFT0004	BFT 6050-FC001-R02A0A-S4	397
BFT001R	BFT 6050-HV001-R02A0A-S4	397
BFT0005	BFT 6025-DX002-A06A1A-S4	399
BFT0008	BFT 6025-FC002-A06A1A-S4	399
BFT0006	BFT 6050-DX002-A06A1A-S4	399
BFT0009	BFT 6050-FC002-A06A1A-S4	399
BFT0007	BFT 6100-DX002-A06A1A-S4	399
BFT000A	BFT 6100-FC002-A06A1A-S4	399
BFF0004	BFF T7031-HA002-R03A0A-S4	407
BFF0006	BFF T7040-JA002-R03A0A-S4	407
BFF0005	BFF T7048-HA002-R03A0A-S4	407
BFF0001	BFF T7031-HA001-D06A2A-S4	407
BFF0003	BFF T7040-JA001-D06A2A-S4	407
BFF0002	BFF T7048-HA001-D06A2A-S4	407
BFF000A	BFF TX006-DA004-D00A2C-S4	409
BFF0008	BFF TX010-HA004-D00A2C-S4	409
BFF0009	BFF TX015-HA004-D00A2C-S4	409
BFF0007	BFF TX015-HA003-D06A2A-S4	409
BCM0001	BCM R15E-001-DI00-01,5-S4	415
BCM0002	BCM R15E-002-DI00-01,5-S4	415

Global Project Management

WE ARE EVERYWHERE FOR YOU

Always where you need us

Wherever you are doing business, we will support you locally. We work closely with machine and systems builders, systems integrators, planning offices and maintenance engineers. Balluff has constructed a global network for you consisting of technical consulting, sales and after-sales services.

Project manuals and approval lists

We provide you with custom tailored product data for smooth running of your projects. You receive project-specific manuals and approval lists. And personal contacts from Balluff are at your side throughout the entire project.

Individual services


If our services need to be even more personalized, we make this possible as well: with individual e-catalogs, application-specific product modifications, integrated software and system solutions and comprehensive logistics concepts.

Questions? Contact us. We are happy to help.



 *innovating automation*



 *innovating automation*

Balluff

WE OPEN UP NEW PERSPECTIVES

Balluff is a leading provider of high-value sensor, identification and image processing solutions including networking technology and software for any automation requirement. Family owned for more than 100 years, Balluff currently employs around 3600 persons in 38 subsidiaries with sales, production and development facilities around the world to ensure your success. Together with our representatives we guarantee the highest quality standards in 68 countries so that you always get the best.

We perform top services for innovative solutions that increase your competitive ability. We deliver a consistent digital focus, manufacturing expertise, and high personal dedication.

We adhere to our motto "Innovating Automation" as pacesetters of automation, refiners and new developers, and technological trailblazers. In open exchange with associations, universities and research institutes as well as in close contact with our customers, we create new industrial sector solutions for automation. As a future-looking company we keep our eye not only on the traditional areas of automation, but also devote ourselves to the development of holistic applications for an increasingly digital and networked world.

We have the future firmly in view in everything we do. With a sophisticated environmental management system, we protect the environment and handle our resources with care. This also creates for you the best prerequisites for sustained action.

You can always rely on us, our products and our adherence to delivery dates and schedule — All in the name of mutually beneficial partnership.

Headquarters
Balluff GmbH
Schurwaldstrasse 9
73765 Neuhausen a. d. F.
Germany
Phone +49 7158 173-0
Fax +49 7158 5010
balluff@balluff.de



**CONTACT OUR
WORLDWIDE
SUBSIDIARIES**