

Expansion thermometer with micro switch Mechanical temperature regulator Model SC15

WIKA data sheet TV 28.02

Combistat

Applications

- Temperature regulation at mechanical engineering
- Temperature regulation in bakery-ovens
- Oil temperature regulation with compressors
- Temperature regulation in the refrigeration industry

Special features

- Temperature regulator and indication in one gauge
- High switching safety and life span



Combistat, model SC15

Description

Ingress protection

Case IP 53, terminals IP 00

Nominal size in mm

60, 80, 100

Accuracy class

Class 2 per EN 13190

Scale ranges

-100 ... 400 °C

Operating temperature

Ambient: -40 ... +60 °C

Scale length

Max. 270 °

Dial

Aluminium, white, black lettering

Measuring principle

Bourdon tube system

Type of contact

- 1 adjustable change over switch
- 2 adjustable change over switches
- 2 together adjustable change over switches
- 1 adjustable and 1 fixed change over switch
- 1 fixed change over switch
- 2 fixed change over switches

Contacts

Micro switches

Switch rating

5 A non-inductive at max. 250 V, 40 ... 60 Hz

Standard switch differential

< 2 % of measuring range

Connection, electrical

0.8 x 6.3 mm terminal block or AMP plug connection

Case

Plastic, black

Type of mounting

Panel mounting with clamp
(NS 100 with steel case with panel mounting flange)

Capillary

Plastic covered -40 ... +120 °C
Copper braided -40 ... +350 °C
Stainless steel -100 ... +400 °C

System filling

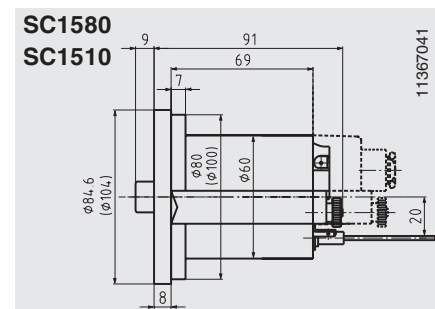
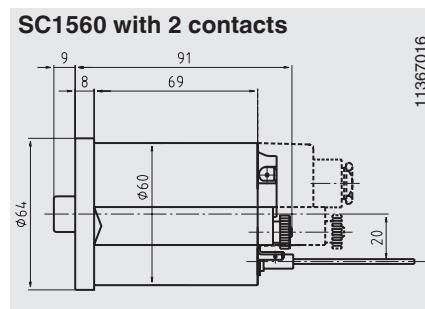
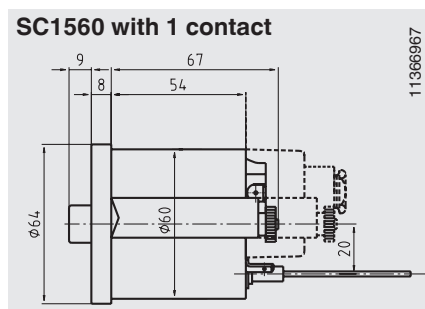
Xylol, silicone oil, syltherm or nitrogen

Capillary length

Max. 10 m

Dimensions in mm

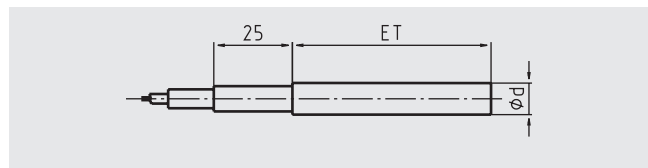
Standard version



Design of connection

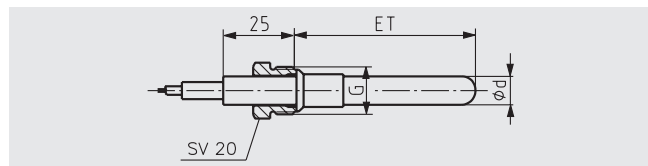
Plain stem (without thread), SF94

Copper alloy
Stem length = variable
Diameter of stem $\varnothing d = 6, 8, 8.5, 10$



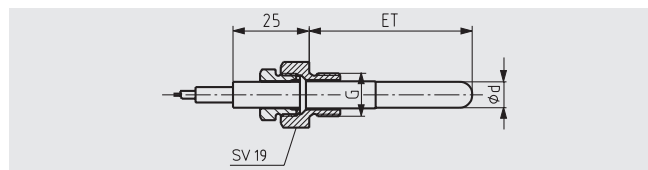
Male nut with cone sealing, SF91 / SV20

Copper alloy, G 1/2 B, G 3/8 B, M14 x 1.5
Stem length = variable
Diameter of stem $\varnothing d = 6, 8, 8.5, 10$



Male nut with fitting SF91 / SV19

M14 x 1.5, G 3/8 B, G 1/2 B, G 3/4 B
Copper alloy
Stem length = variable
Diameter of stem $\varnothing d = 6, 8, 8.5, 10$



Ordering information

Model / Nominal size / Scale range / Type of contact / Switching points / Capillary / Capillary length / Design of connection / Options

The specifications given in this document represent the state of engineering at the time of publishing.
We reserve the right to make modifications to the specifications and materials.

Capillary outlet

Lower back (LB)

Options

- Scale °F, °C/°F
- Case steel
- Case square version (45 x 45 mm, 72 x 72 mm, 96 x 96 mm)
- Panel mounting flange
- Protection cap IP 51 or IP 54
- Switch rating 10 A non-inductive at max. 250 V, 40 ... 60 Hz
- Other process connections
- Test symbol UL, CSA
- Case steel with 3 or 4 fixed contacts
(model = SC00 ... F3/F4)



WIKAL Alexander Wiegand SE & Co. KG
Alexander-Wiegand-Straße 30
63911 Klingenberg/Germany
Tel. (+49) 9372/132-0
Fax (+49) 9372/132-406
E-mail info@wika.de
www.wika.de